

# **CATÁLOGO DE PEÇAS**

**TANKER MAGNU**  
**17.000 / 20.000 / 25.000**  
**Inox e Carbono Desmontável**  
**(Tubo de descarga ø 370)**



**Jan**

### **Implementos Agrícolas Jan S/A**

Administração: Rua Senador Salgado Filho, 101  
Fábrica: Av. Dr. Waldomiro Graeff, 557 - Caixa Postal 54  
Fone: (0XX54) 3332-6500 - Fax: (0XX54) 33321712  
e-mail: [decom@jan.com.br](mailto:decom@jan.com.br)  
[http: www.jan.com.br](http://www.jan.com.br)  
CEP 99470-000 - Não-Me-Toque - RS/Brasil

3ª Edição - 05/JUNHO/2017

Revisão: 01 - 28/JUNHO/2017

Código: TANKER MAGNU 17.000 - 21183200 (INOX DESMONTÁVEL), 21183400 (CARBONO DESMONTÁVEL)  
TANKER MAGNU 20.000 - 21286600 (INOX DESMONTÁVEL), 21287000 (CARBONO DESMONTÁVEL)  
TANKER MAGNU 25.000 - 21286800 (INOX DESMONTÁVEL), 21287200 (CARBONO DESMONTÁVEL)



## Índice

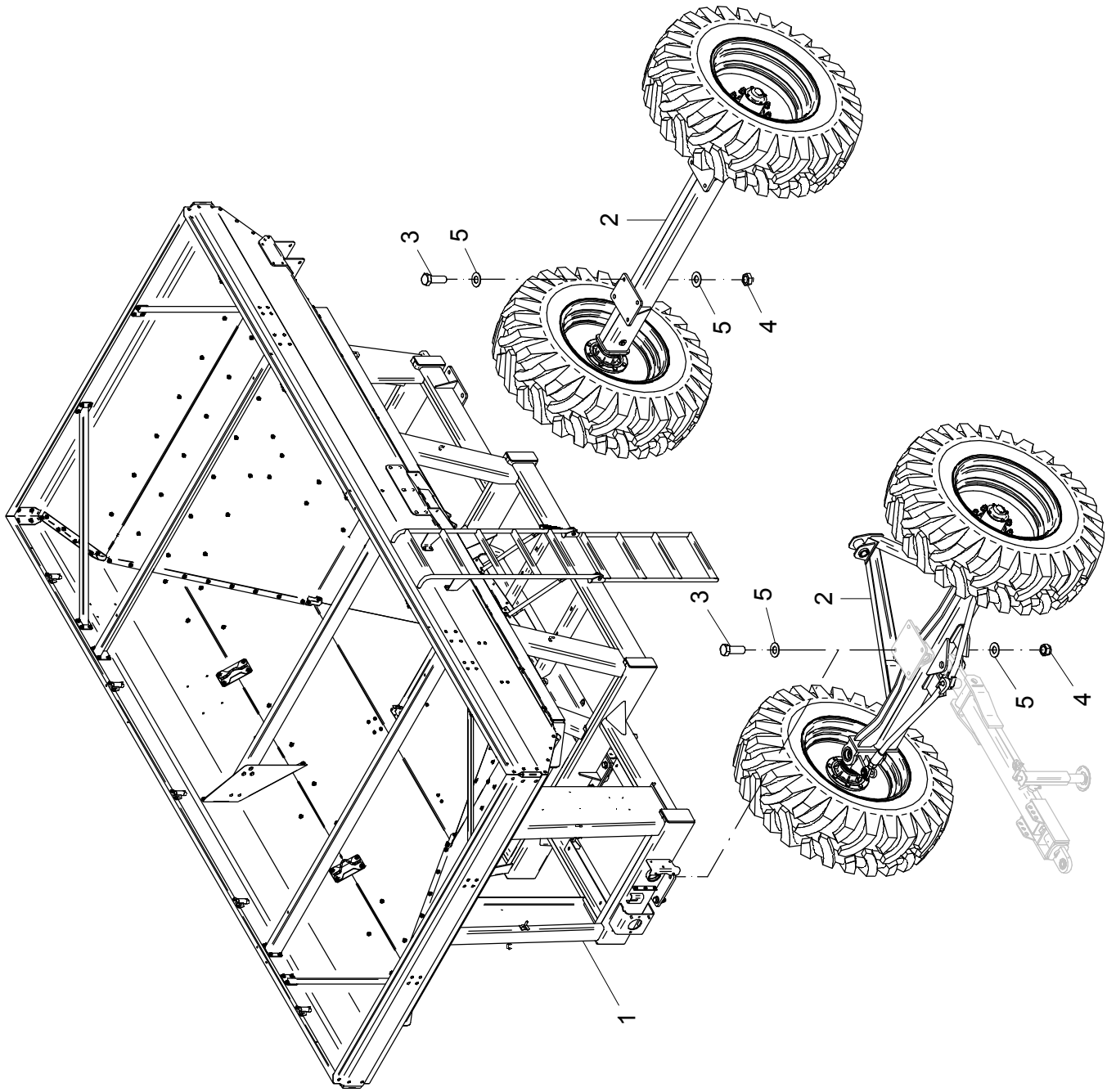
1 – Estrutura.....	6
2 – Chassi e Depósito Desmontável.....	8
3 – Depósito Desmontável.....	12
4 – Vedação Caixa de Captação.....	18
5 – Fixação da Escada.....	20
6 – Escadas.....	22
7 – Kit Chassi Aparafusado – 21236800 (Opcional).....	24
8 – Cabeçalho.....	26
9 – Macaco (Robustec – RAL 552) – 21422000 (Opcional).....	28
10 – Macaco (Jan) – 21411700 (Opcional).....	30
11 – Macaco (Imiag 01063001)– 21421800 (Opcional).....	32
12 – Sistema de Transmissão.....	34
13 – Articulador – 21208500.....	36
14 – Cardan com Proteção - 21208400.....	38
15 – Giro Livre – 21312700.....	40
16 – Mancal – 23710600.....	42
17 – Cardan com Proteção – 23710800.....	44
18 – Mancal – 26203300 .....	46
19 – Cardan com Proteção – 26231200.....	48
20 – Kit Rodado 08 Furos – Tanker Magnu 17.000 – 21102200 e 21104700.....	50
21 – Kit Rodado com Freio 08 Furos – Tanker Magnu 17.000 – 21102300 (Opcional).....	52
22 – Kit Rodado Filipado 08 Furos – Tanker Magnu 17.000 - 21274300 (Opcional).....	54
23 – Kit Rodado Filipado 08 Furos com Freio – Tanker Magnu 17.000 - 21274700 (Opcional).....	56
24 – Kit Rodado 10 Furos ( Bit. 2550) – Tanker Magnu 17.000, 20.000 e 25.000 (Opcional).....	58
25 – Kit Rodado 10 Furos – Tanker Magnu 17.000, 20.000 e 25.000 (Opcional).....	60
26 – Kit Rodado c/ Freio 10 Furos – Tanker Magnu – 21242200, 21241700 e 21259000 (Op.).....	62
27 – Kit Rodado Filipado 10 Furos – Tanker Magnu 17.000, 20.000 e 25.000 - 21259300 (Op.)...	64
28 – Kit Rodado Filipado 10 Furos c/ Freio – Tanker Magnu 17, 20.000 e 25.000 – 21274000.....	66
29 – Kit Rodado Filipado 10 Furos – Tanker Magnu 25.000 - 21241600 (Opcional).....	68
30 – Kit Rodado 10 Furos c/ Freio a Ar Exportação – Tanker Magnu 25.000 Inox – 21262500 .....	70
31 – Circuito Pneumático Exportação – Tanker Magnu 25.000 Inox – 21264000 .....	72
32 – Tirante – Direito e Esquerdo.....	74
33 – Eixo com Freio - 08 Furos .....	76
34 – Eixo com Freio - 10 Furos – 21222000.....	78
35 – Eixo com Freio - 10 Furos – 21262600.....	80
36 – Cubo Rodado Traseiro – 08 e 10 Furos.....	82
37 – Cubo Rodado – Direito e Esquerdo – 08 Furos.....	84
38 – Cubo Rodado – Direito e Esquerdo – 10 Furos.....	86
39 – Cubo Rodado com Freio – Direito e Esquerdo – 10 Furos.....	88
40 – Freios – Direito (26226600) / Esquerdo (26226700) - 08 Furos.....	90
41 – Freios – Direito (21215500) / Esquerdo (21215600) - 10 Furos.....	92
42 – Sistema Hidráulico – 21222300.....	94
43 – Cilindro Hidráulico do Freio – 21216500.....	96



44 – Cilindro Hidráulico – 21216600.....	98
45 – Tubo de Descarga Mecânico – 21110000.....	100
46 – Tubo de Descarga Multiuso Mecânico – 21111200.....	104
47 – Tubo de Descarga Multiuso Hidráulico – 21110600 (Opcional).....	108
48 – Mangote Telescópico – 21229000.....	112
49 – Rosca Sem-fim Inferior – 21210300.....	114
50 – Caixa de Transmissão – 26230600.....	116
51 – Acionamento Hidráulico – 26206600.....	118
52 – Suporte do Tubo de Descarga.....	120
53 – Tampa Lateral Tubo de Descarga.....	122
54 – Tampa Lateral Transfer (Inox e Carbono).....	124
55 – Mangueiras de Acionamento do Tubo de Descarga.....	126
56 – Mangueiras do Tanker Magnu.....	128
57 – Kit Cilindro para Tampa de Descarga – 21616900 (Opcional).....	130
58 – Cilindro Hidráulico - 26506600.....	132
59 – Cilindro Hidráulico 21217100.....	134
60 – Cilindro Hidráulico – 21603700.....	136
61 – Arco de Lona e Porta Manual.....	138
62 – Engate Traseiro – 21234500 (Opcional).....	140
63 – Kit Balanças Hook – 21222900 (Opcional).....	142
64 – Kit Embreagem Eletromagnética 1.000 Nm - Via Rádio - 21219900 (Opcional).....	144
65 – Embreagem Eletromagnética 1.000 Nm – 21252100 (Opcional).....	146
66 – Kit Grade de Proteção para Adubo – Tanker Magnu 17.000, 20.000 e 25.000 (Op.).....	148
67 – Grade Caixa de Captação– 21108000 (Opcional).....	150
68 – Kit Transfer 700 – TM17, TM20 e TM25 (Opcional).....	152
69 – Kit Unidade Hidráulica 90 LPM Via Rádio p/  Tubo Multiuso – 21229900 (Opcional).....	154
70 – Kit Lona de Cobertura (Opcional).....	156
71 – Kit Via Rádio para Comporta e Tubo de Descarga (Agrobartt) – 21108800.....	160
72 – Kit Lona de Cobertura Cramaro (Opcional).....	162
73 – Kit Adesivo – Tanker Magnu 17.000 (Inox e Carbono).....	166
74 – Kit Adesivo – Tanker Magnu 20.000 (Inox e Carbono).....	168
75 – Kit Adesivo – Tanker Magnu 25.000 (Inox e Carbono).....	170



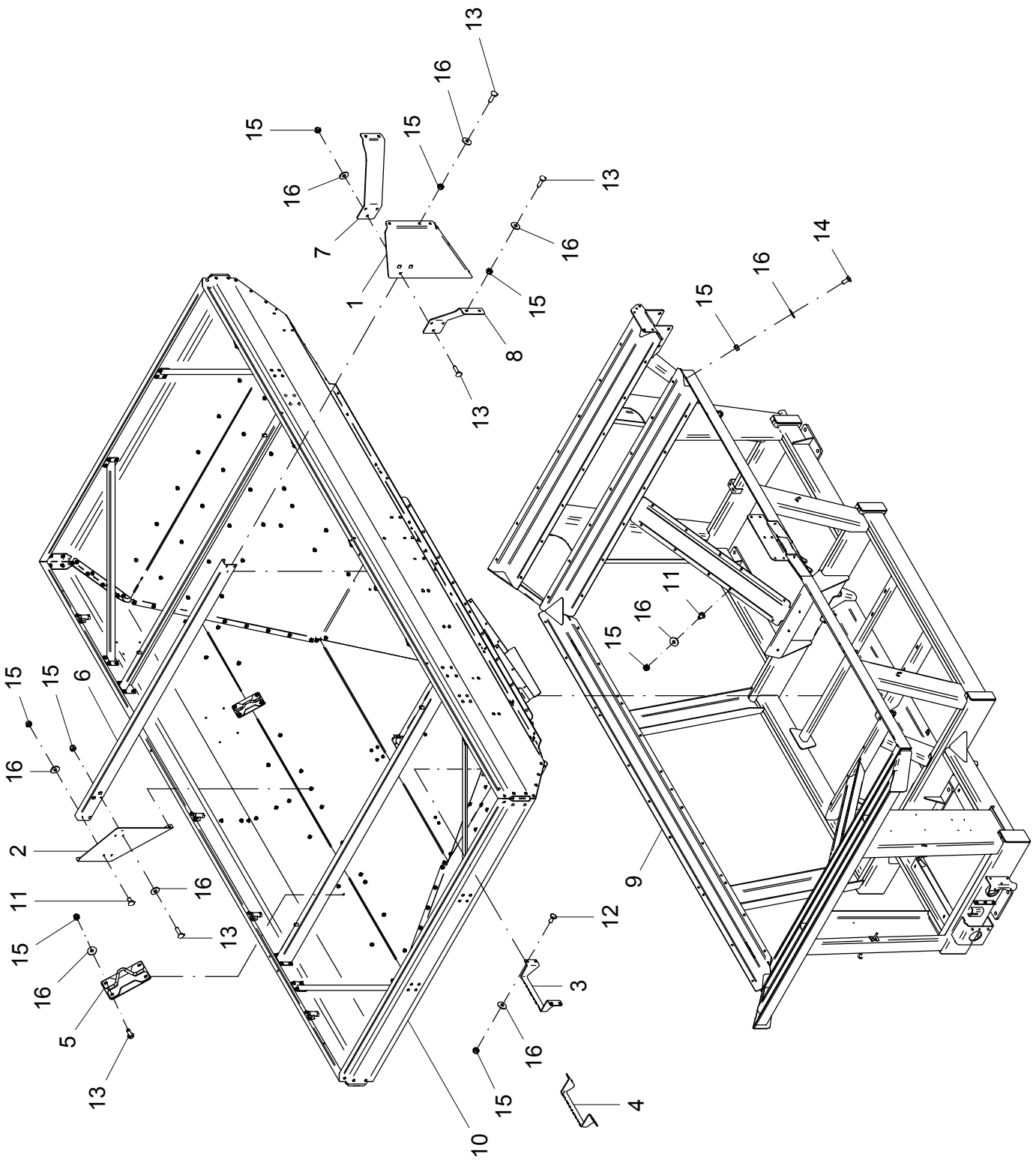
1 - ESTRUCTURA



1 – ESTRUTURA

POS.	CÓDIGO	DENOMINAÇÃO	QUANTIDADE											
			17.000			20.000			25.000					
			INOX	CARBONO		INOX	CARBONO		INOX	CARBONO				
1	21277800	ESTRUTURA C/ DEPOSITO INOX (17.000)	1	---		---		---		---		---		
1	21278600	ESTRUTURA C/ DEPOSITO CARBONO (17.000)	---	1		---		---		---		---		
1	21278800	ESTRUTURA C/ DEPOSITO INOX (20.000)	---	---	1	---		---		---		---		
1	21279400	ESTRUTURA C/ DEPOSITO CARBONO (20.000)	---	---	---	1	---	---		---		---		
1	21279600	ESTRUTURA C/ DEPOSITO INOX (25.000)	---	---	---	---		---		---		---		
1	21276600	ESTRUTURA C/ DEPOSITO CARBONO (25.000)	---	---	---	---		---		---		---	1	
2	21104700	KIT RODADO 8 FUROS BITOLA 2800 (OP)	1	1		---		---		---		---		
2	21102200	KIT RODADO 8 FUROS BITOLA 2550 (OP)	1	1		---		---		---		---		
2	26230900	KIT RODADO 8 FUROS BITOLA 2550 C/ FREIO (OP)	1	1		---		---		---		---		
2	21102300	KIT RODADO 8 FUROS BITOLA 2800 C/ FREIO (OP)	1	1		---		---		---		---		
2	21274300	KIT RODADO 8 FUROS FILIPADO (OP)	1	1		---		---		---		---		
2	21274700	KIT RODADO 8 FUROS FILIPADO C/ FREIO (OP)	1	1		---		---		---		---		
2	24600400	KIT RODADO 10 FUROS BITOLA 2550 (OP)	1	1		---		---		---		---		
2	24600500	KIT RODADO 10 FUROS BITOLA 2800 (OP)	1	1		---		---		---		---		
2	21241800	KIT RODADO 10 FUROS BITOLA 2550 (OP)	---	---		---		---		---		---		
2	21233200	KIT RODADO 10 FUROS BITOLA 2550 (OP)	---	---		---		---		---		---	1	
2	21258700	KIT RODADO 10 FUROS BITOLA 2800 (OP)	---	---		---		---		---		---	1	
2	21259400	KIT RODADO 10 FUROS BITOLA 2800 (OP)	---	---		---		---		---		---	1	
2	21259500	KIT RODADO 10 FUROS BITOLA 2800 (OP)	---	---		---		---		---		---	1	
2	21250700	KIT RODADO 10 FUROS BITOLA 2800 PNEU 16-30 / 21-32 (OP)	---	---		---		---		---		---	1	
2	21259000	KIT RODADO 10 FUROS PNEU 28.1-26 C/ FREIO (OP)	---	---		---		---		---		---	1	
2	21241700	KIT RODADO 10 FUROS BITOLA 2550 C/ FREIO (OP)	1	1		---		---		---		---		
2	21242200	KIT RODADO 10 FUROS BITOLA 2800 C/ FREIO (OP)	1	1		---		---		---		---		
2	21259300	KIT RODADO 10 FUROS FILIPADO (OP)	1	1		---		---		---		---	1	
2	21274000	KIT RODADO 10 FUROS FILIPADO C/ FREIO (OP)	1	1		---		---		---		---	1	
2	21241600	KIT RODADO 10 FUROS FILIPADO (OP)	---	---		---		---		---		---	1	
2	21262500	KIT RODADO 10 FUROS BITOLA 2800 FREIO AR (EXPORTAÇÃO)	---	---		---		---		---		---	1	
3	60178950	PARAFUSO CABEÇA SEXTAVADA M24X2X70 DIN 960 8.8 ZB	16	16		16		16		16		16	16	
4	61412211	PORCA AUTO FRENANTE M24X2 DIN 982 ZB	16	16		16		16		16		16	16	
5	62030724	ARRUELA LISA Ø25XØ50X2.5 INOX	32	32		32		32		32		32	32	

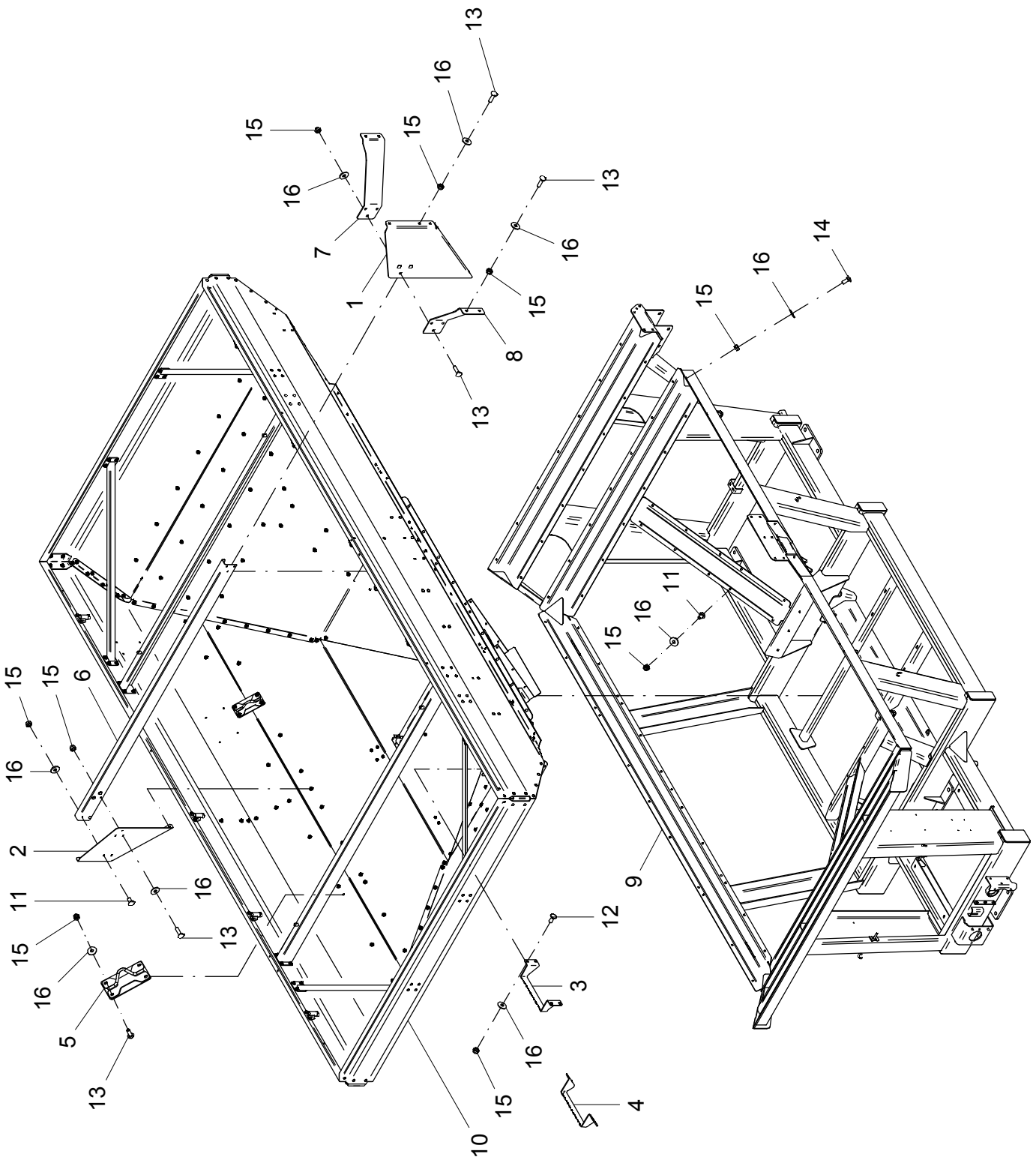
2 - CHASSI E DEPÓSITO DESMONTÁVEL



2 - CHASSI E DEPÓSITO DESMONTÁVEL

POS.	CÓDIGO	DENOMINAÇÃO	QUANTIDADE											
			17.000			20.000			25.000					
			INOX	CARBONO		INOX	CARBONO		INOX	CARBONO				
	2127800	21278600	21278800	21279400	21279600	21279600	21279600	21279600	21279600	21279600				
1	21103301	REFORÇO LATERAL	1		1									
1	21254201	REFORÇO LATERAL				1		1						
1	21246004	REFORÇO LATERAL								1				1
2	21103302	REFORÇO LATERAL	1		1									
2	21254202	REFORÇO LATERAL				1		1						
2	21246005	REFORÇO LATERAL												
3	21200041	DEGRAU INTERNO INOX	2			3				1				1
3	21000038	DEGRAU INTERNO CARBONO			2			3						3
4	21200042	DEGRAU INTERNO INOX	3			3								
4	21000039	DEGRAU INTERNO CARBONO			3									3
5	21236500	GANCHO SOLDADO INOX	4			4								4
5	21102900	GANCHO SOLDADO CARBONO			4									4
6	21246007	PERFIL	1		1			1						1
6	21246006	TRAVESSA								1				1
7	21246009	TRAVA	1		1			1						1
8	21246010	TRAVA	1		1			1						1
9	21277900	CHASSI SOLDADO	1		1			1						1
9	21236800	KIT CHASSI APARAFUSADO (OPCIONAL)	1		1			1						1
10	21278000	DEPOSITO E CAIXA DE CAPTACAO INOX 17.000	1											
10	21278700	DEPOSITO E CAIXA DE CAPTACAO CARBONO 17.000			1									
10	21279100	DEPOSITO E CAIXA DE CAPTACAO INOX 20.000						1						
10	21279500	DEPOSITO E CAIXA DE CAPTACAO CARBONO 20.000								1				
10	21279700	DEPOSITO E CAIXA DE CAPTACAO INOX 25.000												
10	21261900	DEPOSITO E CAIXA DE CAPTACAO CARBONO 25.000												
11	60417455	PARAFUSO FRANCES M10X1.5X20 DIN 603/13 INOX	33			37								1
11	60437454	PARAFUSO FRANCES M10X1.5X20 DIN 603/13 INOX			6							43		
12	60417458	PARAFUSO FRANCES M10X1.5X25 DIN 603/13 ZB	16		107			20		109				108
13	60417465	PARAFUSO FRANCES M10X1.5X35 DIN 603/13 5.8 INOX.A2	32					28						
13	60417464	PARAFUSO FRANCES M10X1.5X35 DIN 603/13 ZB			21					22				17

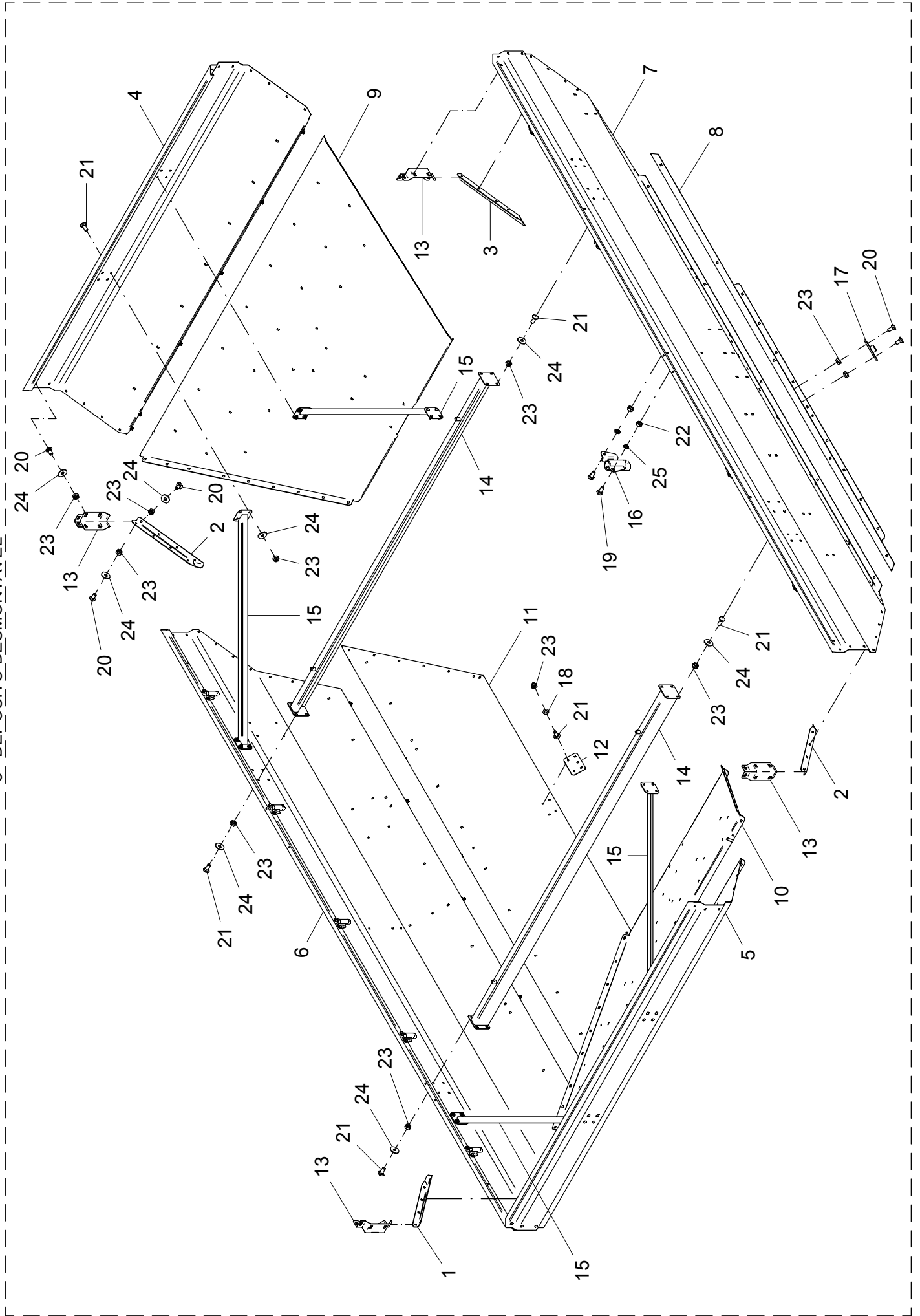
2 - CHASSI E DEPÓSITO DESMONTÁVEL



2 - CHASSI E DEPÓSITO DESMONTÁVEL

POS.	CÓDIGO	DENOMINAÇÃO	QUANTIDADE											
			17.000		20.000		25.000							
			INOX	CARBONO	INOX	CARBONO	INOX	CARBONO	INOX	CARBONO	INOX	CARBONO	INOX	CARBONO
			21277800	21278600	21278800	21279400	21278800	21279400	21278800	21279400	21278800	21279400	21278800	21279400
14	60477457	PARAFUSO FRANCES M10X1.5X25 DIN 603/13 INOX	98	---	99	---	94	---	---	---	---	---		
14	60417462	PARAFUSO FRANCES M10X1.5X30 DIN 603/13 ZB	---	16	---	---	4	---	---	---	13	---		
15	61430811	PORCA AUTO FRENANTE ALTA M10X1.5 DIN 982 INOX	179	---	184	---	183	---	---	---	---	---		
15	61430810	PORCA AUTO FRENANTE ALTA M10X1.5 DIN 982 ZB	---	152	---	163	---	---	---	---	165	---		
16	62030710	ARRUELA LISA Ø10.5XØ30X2.5 INOX	179	152	52	161	47	163	47	163	163	---		
16	62010710	ARRUELA LISA A 10.5 DIN 9021 INOX	---	---	132	---	136	---	---	---	---	---		

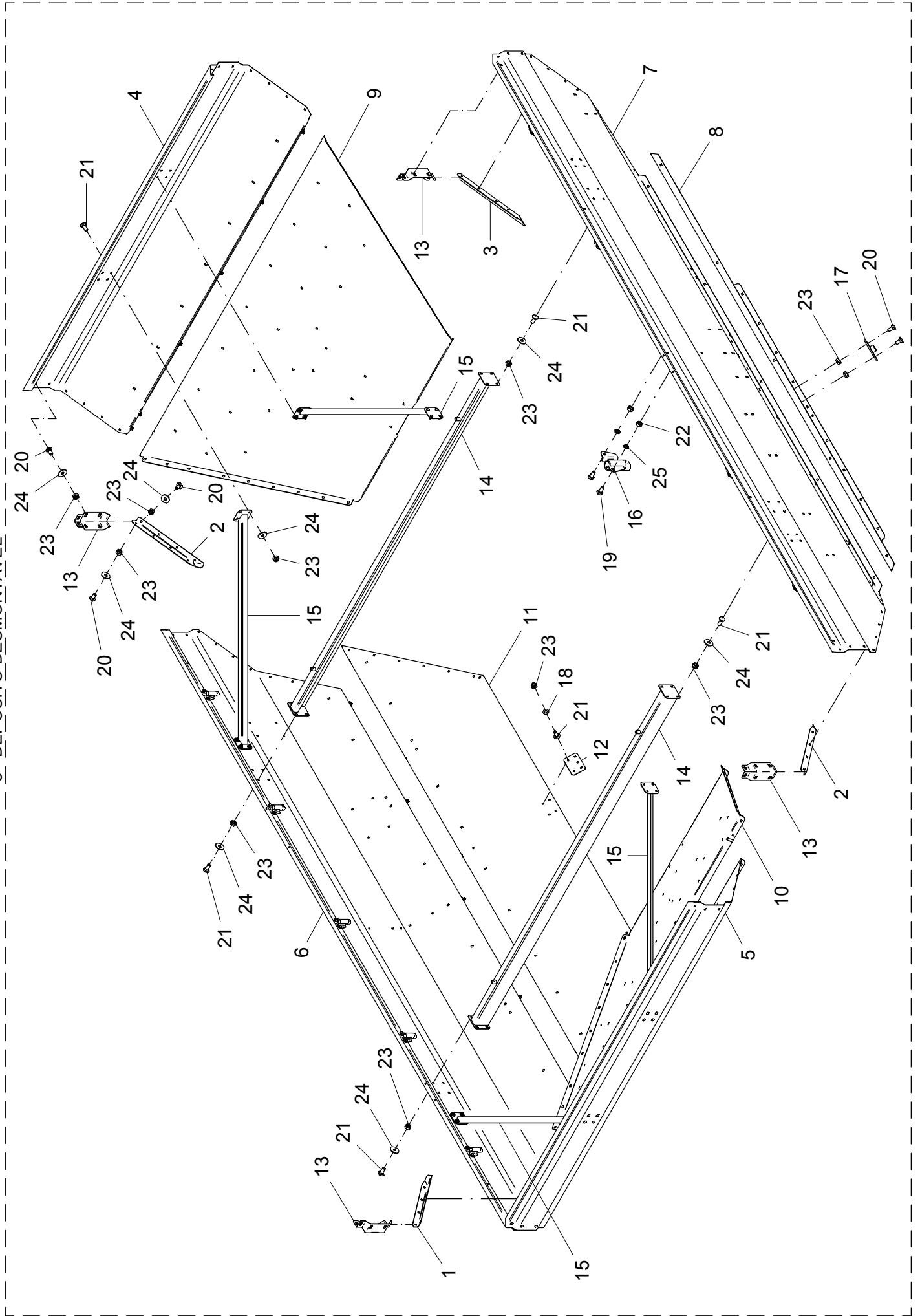
3 - DEPÓSITO DESMONTÁVEL



3 – DEPÓSITO DESMONTÁVEL

POS.	CÓDIGO	DENOMINAÇÃO	QUANTIDADE																			
			17.000				20.000				25.000											
			INOX	CARBONO	INOX	CARBONO	INOX	CARBONO	INOX	CARBONO	INOX	CARBONO	INOX	CARBONO								
			21278000	21278700	21279100	21279500	21278000	21278700	21279100	21279500	21278000	21278700	21279100	21279500								
1	21103207	CANTONEIRA INOX	1	1																		
1	21237211	CANTONEIRA INOX			1	1																
1	21236215	CANTONEIRA INOX																				
2	21103208	CANTONEIRA INOX	2	2																		
2	21237212	CANTONEIRA INOX			2	2																
2	21236217	CANTONEIRA INOX																				
3	21103209	CANTONEIRA INOX	1	1																		
3	21237213	CANTONEIRA INOX			1	1																
3	21236218	CANTONEIRA INOX																				
4	21109302	PERFIL INOX	1																			
4	21109402	PERFIL CARBONO		1																		
4	21266302	PERFIL INOX			1	1																
4	21266202	PERFIL CARBONO					1															
4	21266405	PERFIL INOX																				
4	21266503	PERFIL CARBONO																				
5	21109304	PERFIL INOX	1																			
5	21109404	PERFIL CARBONO		1																		
5	21266304	PERFIL INOX			1	1																
5	21266204	PERFIL CARBONO					1															
5	21266404	PERFIL INOX																				
5	21266502	PERFIL CARBONO																				
6	21109305	PERFIL INOX	1																			
6	21109409	PERFIL CARBONO		1																		
6	21266309	PERFIL INOX			1	1																
6	21266206	PERFIL CARBONO					1															
6	21266413	PERFIL INOX																				
6	21266506	PERFIL CARBONO																				

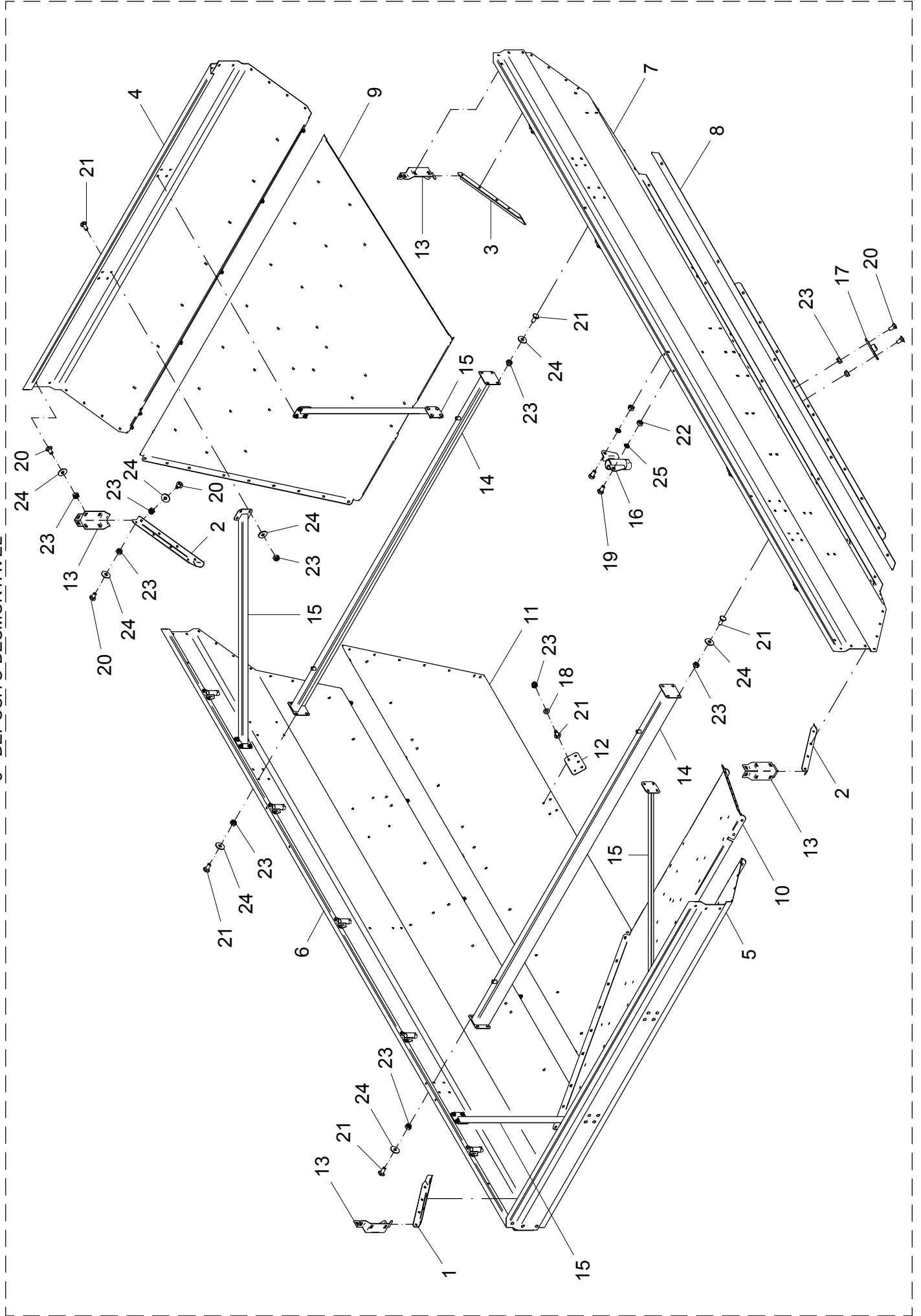
3 - DEPÓSITO DESMONTÁVEL



3 – DEPÓSITO DESMONTÁVEL

POS.	CÓDIGO	DENOMINAÇÃO	QUANTIDADE											
			17.000			20.000			25.000					
			INOX	CARBONO	21278000	INOX	CARBONO	21279100	INOX	CARBONO	21279500	INOX	CARBONO	21261900
7	21109306	PERFIL INOX	1	---	---	---	---	---	---	---	---	---	---	---
7	21109410	PERFIL CARBONO	---	1	---	---	---	---	---	---	---	---	---	---
7	21266310	PERFIL INOX	---	---	---	1	---	---	---	---	---	---	---	---
7	21266207	PERFIL CARBONO	---	---	---	---	---	---	1	---	---	---	---	---
7	21266414	PERFIL INOX	---	---	---	---	---	---	---	---	---	1	---	---
7	21266507	PERFIL CARBONO	---	---	---	---	---	---	---	---	---	---	---	1
8	21109307	LATERAL INOX	1	---	---	1	---	---	---	---	---	---	---	---
8	21102505	LATERAL CARBONO	---	1	---	---	---	---	---	1	---	---	---	1
9	21236206	LATERAL INOX	1	---	---	1	---	---	---	---	---	---	---	---
9	21102506	LATERAL CARBONO	---	1	---	---	---	---	---	---	---	---	---	1
9	21102508	LATERAL CARBONO	---	---	---	---	---	---	---	1	---	---	---	---
10	21236208	LATERAL INOX	1	---	---	1	---	---	---	---	1	---	---	---
10	21102508	LATERAL CARBONO	---	1	---	---	---	---	---	---	---	---	---	1
10	21102506	LATERAL CARBONO	---	---	---	---	---	---	---	1	---	---	---	---
11	21236210	LATERAL INOX	1	---	---	1	---	---	---	---	1	---	---	---
11	21102507	LATERAL CARBONO	---	1	---	---	---	---	---	1	---	---	---	1
12	21236400	EIXO INOX	1	---	---	1	---	---	---	---	1	---	---	---
12	21102800	EIXO CARBONO	---	1	---	---	---	---	---	1	---	---	---	1
13	21237205	REFORÇO DO CANTO INOX	4	---	---	4	---	---	---	---	---	---	---	---
13	21258205	REFORÇO DO CANTO CARBONO	---	4	---	---	---	---	---	4	---	---	---	---
13	21236216	REFORÇO DO CANTO	---	---	---	---	---	---	---	---	4	---	---	---
13	21258510	REFORÇO DO CANTO CARBONO	---	---	---	---	---	---	---	---	---	---	---	4
14	21238400	REFORÇO INOX	2	2	---	2	---	---	---	2	---	---	---	2
15	21238900	REFORÇO INOX	4	4	---	4	---	---	---	4	---	---	---	4
16	22449800	SUPORTE ARCO PARA LONA (INOX)	10	---	---	10	---	---	---	---	---	---	---	---
16	20915400	SUPORTE ARCO PARA LONA (CARBONO)	---	10	---	---	---	---	---	10	---	---	---	10
17	22450000	SUPORTE FIXAÇÃO TUBOS INOX	3	3	---	3	---	---	---	3	---	---	---	3

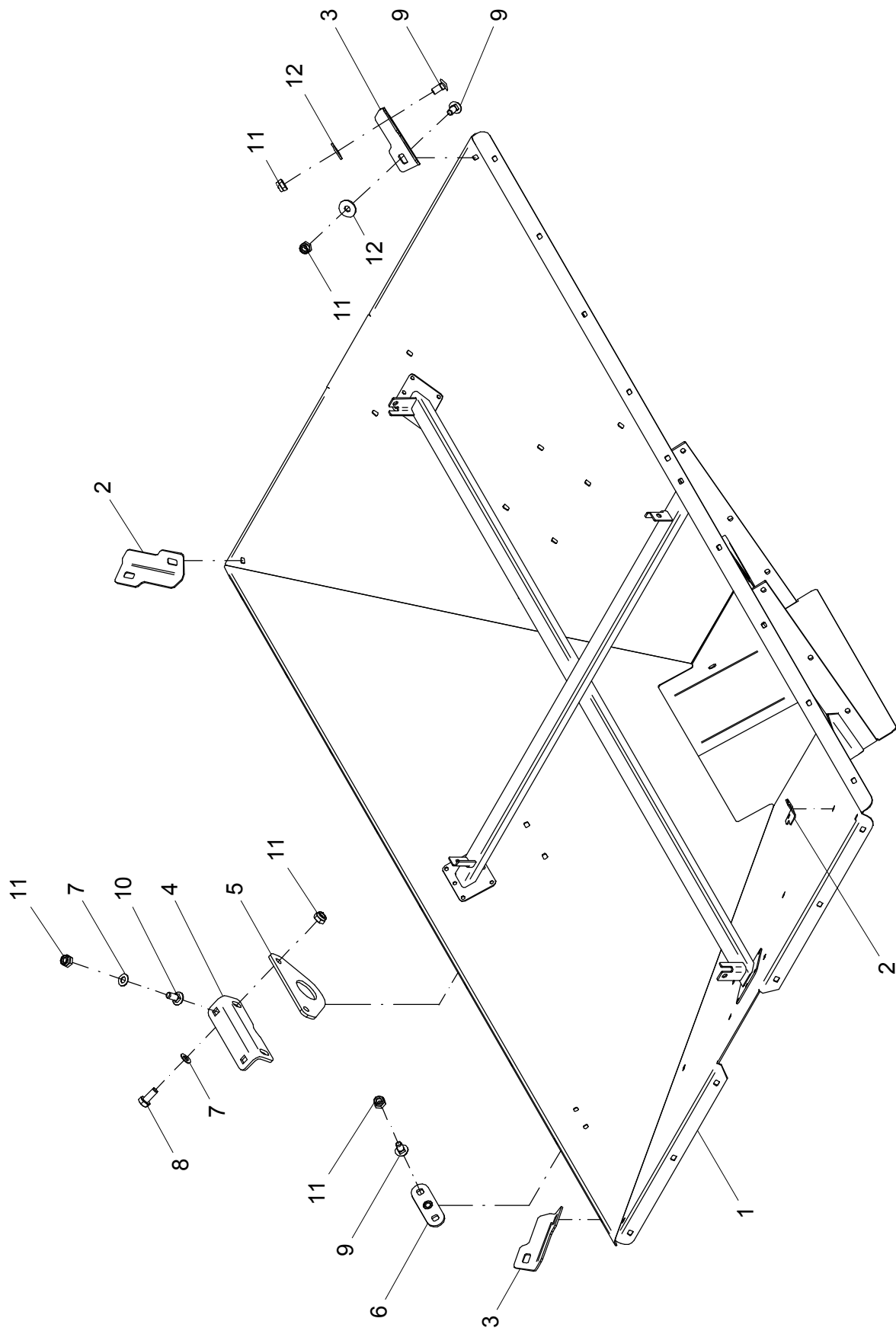
3 - DEPÓSITO DESMONTÁVEL



3 – DEPÓSITO DESMONTÁVEL

POS.	CÓDIGO	DENOMINAÇÃO	QUANTIDADE											
			17.000			20.000			25.000					
			INOX	CARBONO	INOX	CARBONO	INOX	CARBONO	INOX	CARBONO	INOX	CARBONO		
18	28242003	ARRUELA INOX 10,5x20x1,5	4	---	---	---	---	---	6	---	---	---	---	
19	60127406	PARAFUSO CABEÇA SEXTAVADA M10X1.5X20 DIN 933 INOX	20	---	---	---	---	20	---	---	---	---	---	
19	60117454	PARAFUSO CABEÇA SEXTAVADA M10X1.5X20 DIN 933 ZB	---	20	---	---	---	---	---	---	---	---	20	
20	60417455	PARAFUSO FRANCES M10X1.5X20 DIN 603/13 INOX	143	---	---	---	---	162	---	---	---	186	---	
20	60437454	PARAFUSO FRANCES M10X1.5X20 DIN 603/13 5.8 ZB	---	---	157	---	---	---	---	170	---	---	197	
21	60477457	PARAFUSO FRANCES M10X1.5X25 DIN 603/13 INOX	52	---	---	---	---	54	---	---	---	54	---	
21	60417458	PARAFUSO FRANCES M10X1.5X25 DIN 603/13 ZB	---	---	68	---	---	---	---	72	---	---	73	
22	61100814	PORCA SEXTAVADA M10X1.5 DIN 934 INOX	20	---	---	---	---	20	---	---	---	20	---	
22	61110810	PORCA SEXTAVADA M10X1.5 DIN 934 ZB	---	---	20	---	---	---	---	20	---	---	20	
23	61430811	PORCA AUTO FRENANTE ALTA M10X1.5 DIN 982 INOX	195	---	---	---	---	216	---	---	---	240	---	
23	61430810	PORCA AUTO FRENANTE ALTA M10X1.5 DIN 982 ZB	---	---	225	---	---	---	---	243	---	---	264	
24	62030710	ARRUELA LISA Ø10.5XØ30X2.5 INOX	187	---	219	---	---	---	210	---	---	228	260	
25	62050708	ARRUELA DE PRESSAO B 10 DIN 127 INOX	20	---	---	---	---	---	20	---	---	20	---	
25	62050508	ARRUELA DE PRESSAO B 10 DIN 127 ZB	---	---	20	---	---	---	---	20	---	---	20	

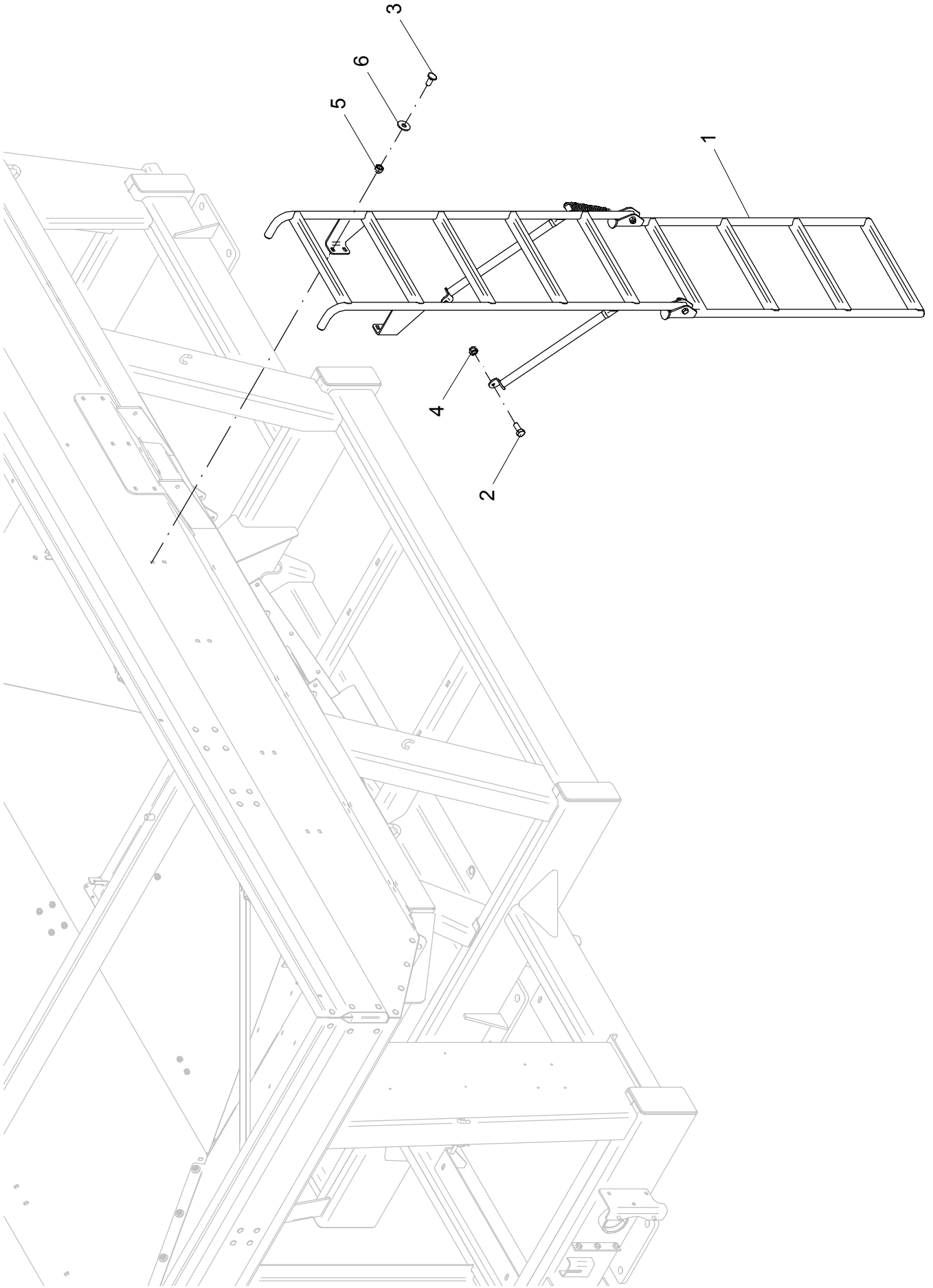
4 - VEDAÇÃO CAIXA DE CAPTAÇÃO



4 – VEDAÇÃO CAIXA DE CAPTAÇÃO

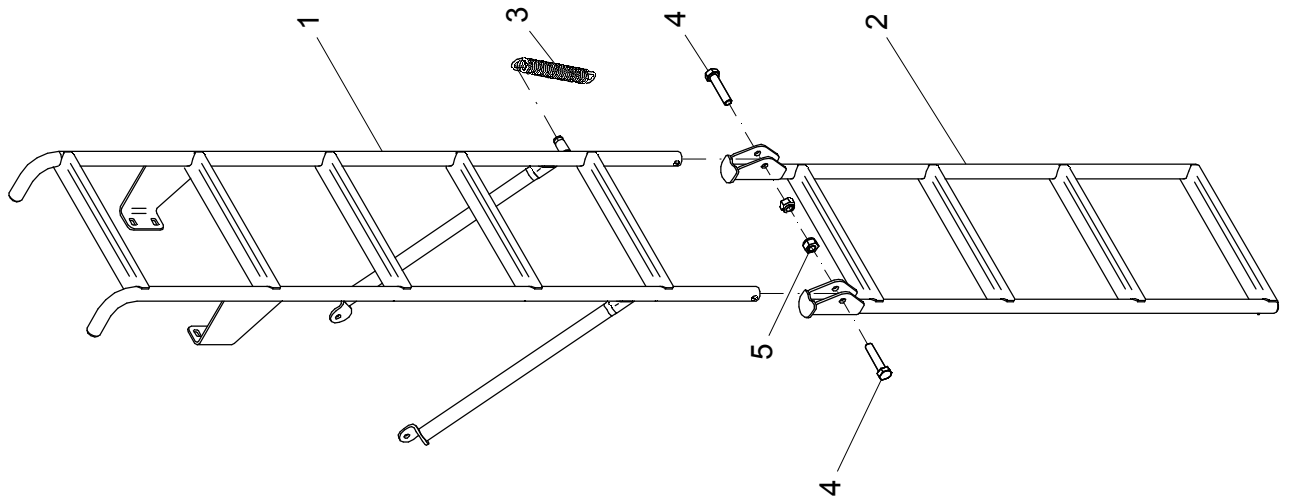
POS.	CÓDIGO	DENOMINAÇÃO	QUANTIDADE									
			17.000			20.000			25.000			
			INOX	CARBONO	INOX	CARBONO	INOX	CARBONO	INOX	CARBONO	INOX	CARBONO
1	21236300	CAIXA DE CAPTACAO INOX 370 mm	1	---	1	---	1	---	1	---	1	---
1	21108600	CAIXA DE CAPTACAO CARBONO 370mm	---	1	---	1	---	---	1	---	---	1
2	21246001	VEDAÇÃO	2	2	2	2	2	2	2	2	2	2
3	21246002	VEDAÇÃO	2	2	2	2	2	2	2	2	2	2
4	21620004	SUPORTE	1	1	1	1	1	1	1	1	1	1
5	21620005	GUIA	1	1	1	1	1	1	1	1	1	1
6	22450000	SUPORTE FIXACAO TUBOS	1	1	1	1	1	1	1	1	1	1
7	28242003	ARRUELA INOX 10,5x20x1,5	4	4	4	4	4	4	4	4	4	4
8	60127458	PARAFUSO CABEÇA SEXTAVADA M10X1.5X25 DIN 933 INOX	2	---	2	---	2	---	2	---	2	---
8	60117458	PARAFUSO CABEÇA SEXTAVADA M10X1.5X25 DIN 933 ZB	---	2	---	2	---	---	2	---	---	2
9	60417455	PARAFUSO FRANCES M10X1.5X20 DIN 603/13 INOX	10	---	10	---	10	---	10	---	10	---
9	60437454	PARAFUSO FRANCES M10X1.5X20 DIN 603/13 5.8 ZB	---	10	---	10	---	---	10	---	---	10
10	60477457	PARAFUSO FRANCES M10X1.5X25 DIN 603/13 INOX	2	---	2	---	2	---	2	---	2	---
10	60417458	PARAFUSO FRANCES M10X1.5X25 DIN 603/13 ZB	---	2	---	2	---	---	2	---	---	2
11	61430811	PORCA AUTO FRENANTA ALTA M10X1.5 DIN 982 INOX	14	---	14	---	14	---	14	---	14	---
11	61430810	PORCA AUTO FREN.ALTA M10X1.5 DIN 982 ZB	---	14	---	14	---	---	14	---	---	14
12	62030710	ARRUELA LISA Ø10.5XØ30X2.5 INOX	8	8	8	8	8	8	8	8	8	8

5- FIXAÇÃO DA ESCADA



5 – FIXAÇÃO DA ESCADA

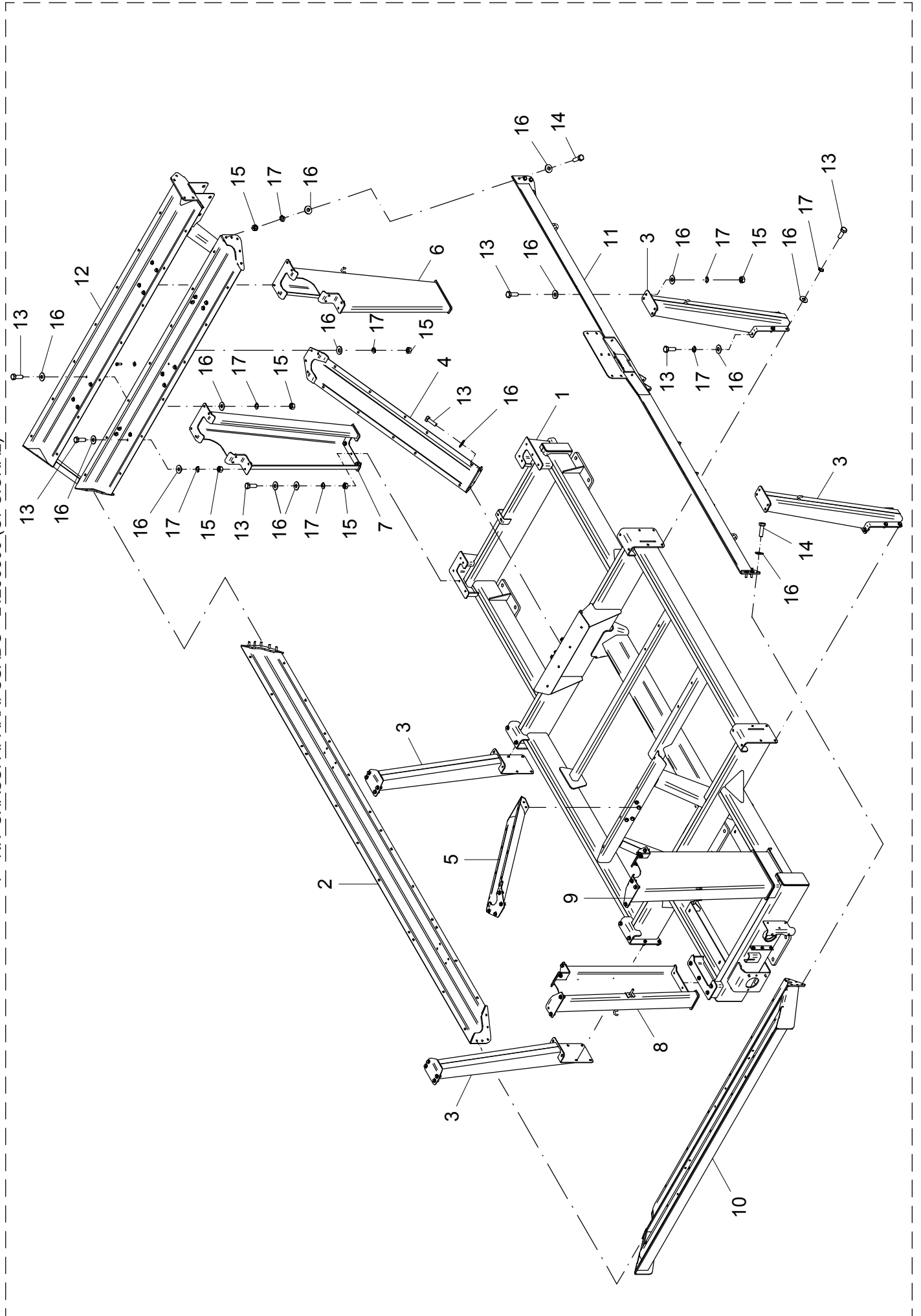
POS.	CÓDIGO	DENOMINAÇÃO	QUANTIDADE									
			17.000			20.000			25.000			
			INOX	CARBONO		INOX	CARBONO		INOX	CARBONO		
1	21110800	ESCADA 17.000	1	1								
1	21278900	ESCADA 20.000				1	1					
1	21279800	ESCADA 25.000								1	1	
2	60117458	PARAFUSO CABEÇA SEXTAVADA M10X1.5X25 DIN 933 ZB	2	2		2	2			2	2	
3	60477457	PARAFUSO FRANCES M10X1.5X25 DIN 603/13 INOX	4				4				4	
3	60417462	PARAFUSO FRANCES M10X1.5X30 DIN 603/13 ZB							4	4		
4	61430810	PORCA AUTO FRENANTE ALTA M10X1.5 DIN 982 ZB	2	6		2	6			2	6	
5	61430811	PORCA AUTO FRENANTE ALTA M10X1.5 DIN 982 INOX	4							4		
6	62030710	ARRUELA LISA Ø10.5XØ30X2.5 INOX	4	4		4	4			4	4	



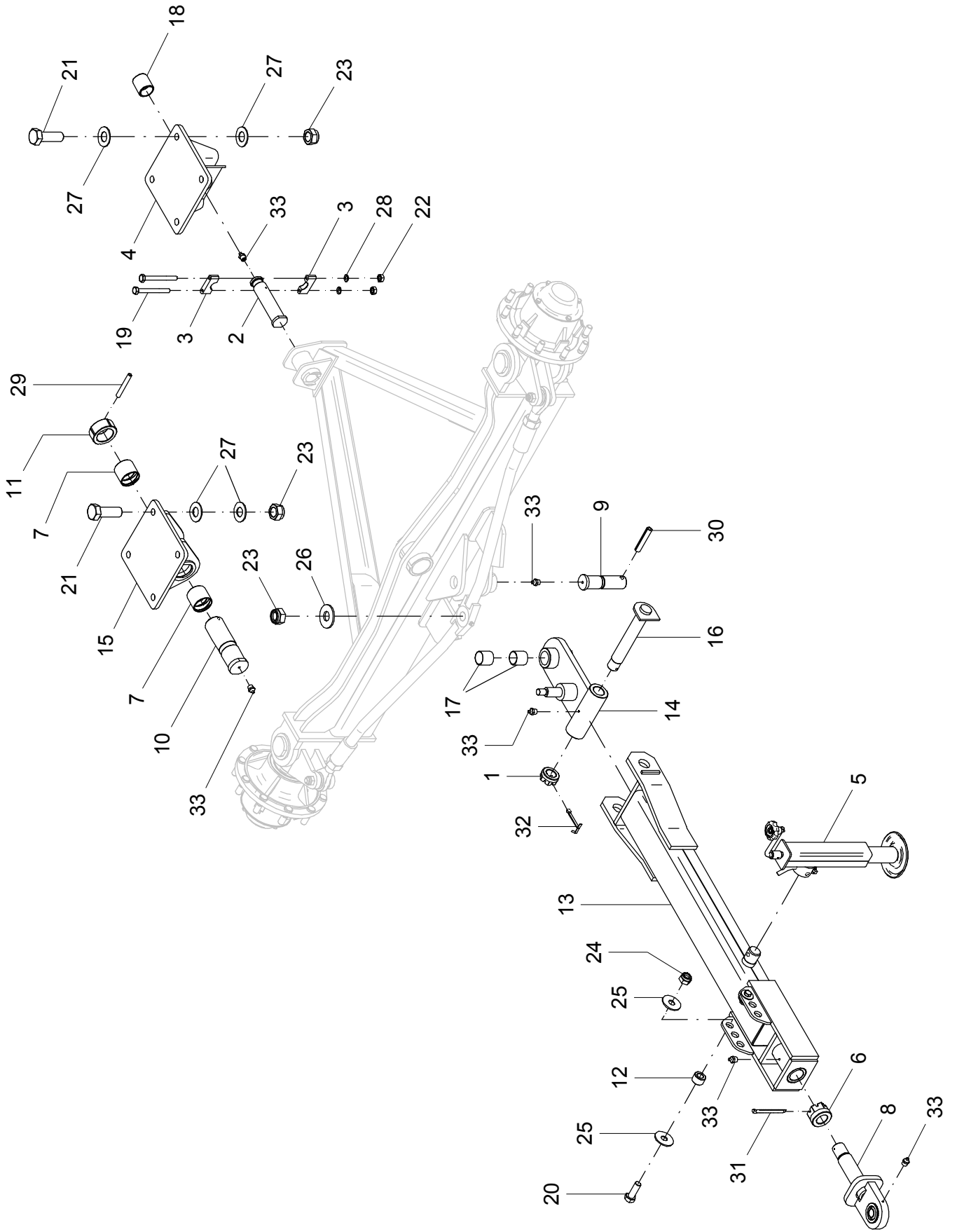
6 – ESCADAS

POS.	CÓDIGO	DENOMINAÇÃO	QUANTIDADE			
			17.000 21110800	20.000 21278900	25.000 21279800	
1	21110900	ESCALA SUPERIOR	1	---	---	
1	21279000	ESCALA SUPERIOR	---	1	---	
1	21279900	ESCALA SUPERIOR	---	---	1	
2	21315700	ESCALA INFERIOR	1	1	1	
3	28006026	MOLA	1	1	1	
4	60177692	PARAFUSO CABEÇA SEXTAVADA M12X1.75X55 DIN 933 8.8 ZB	2	2	2	
5	61411010	PORCA AUTO FRENANTE ALTA M12X1.75 DIN 982 ZB	2	2	2	

7 - KIT CHASSI APARAFUSADO - 21236800 (OPCIONAL)

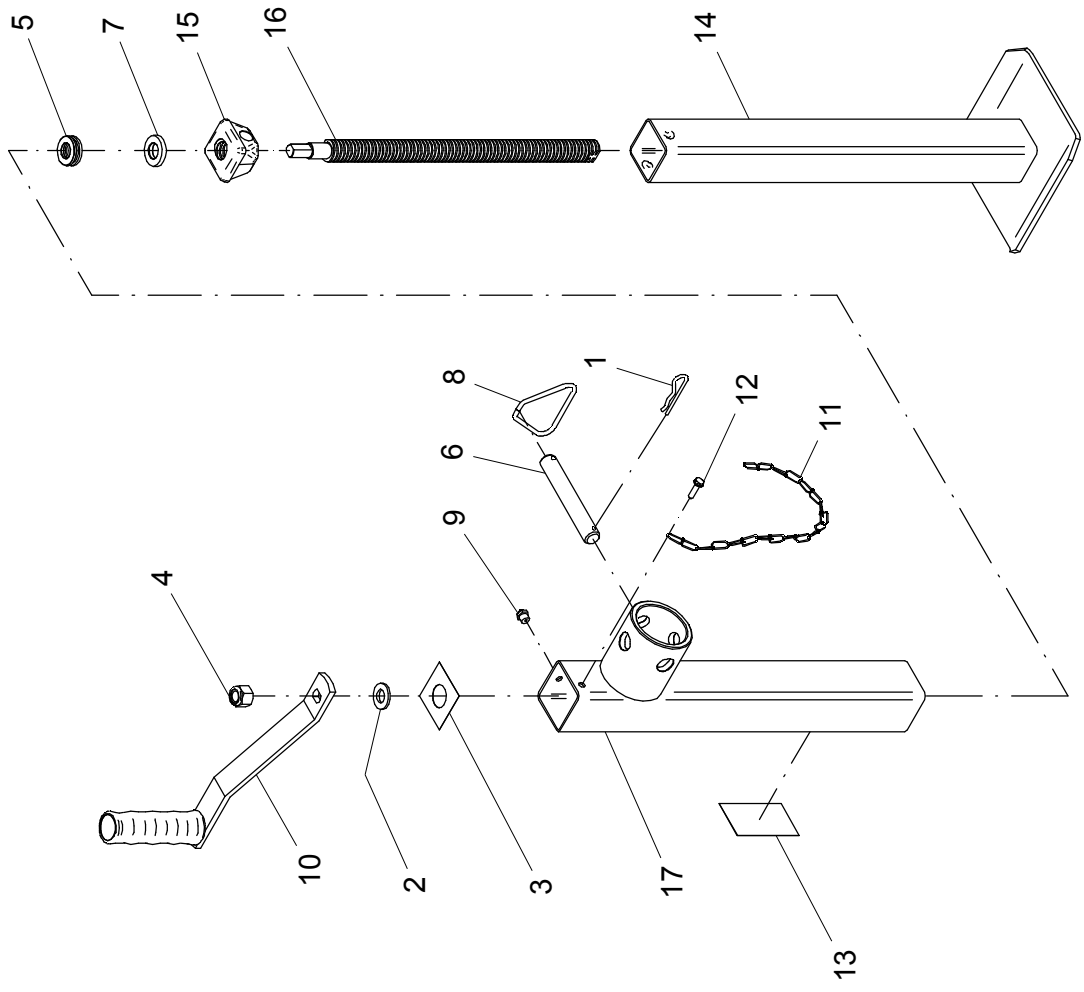




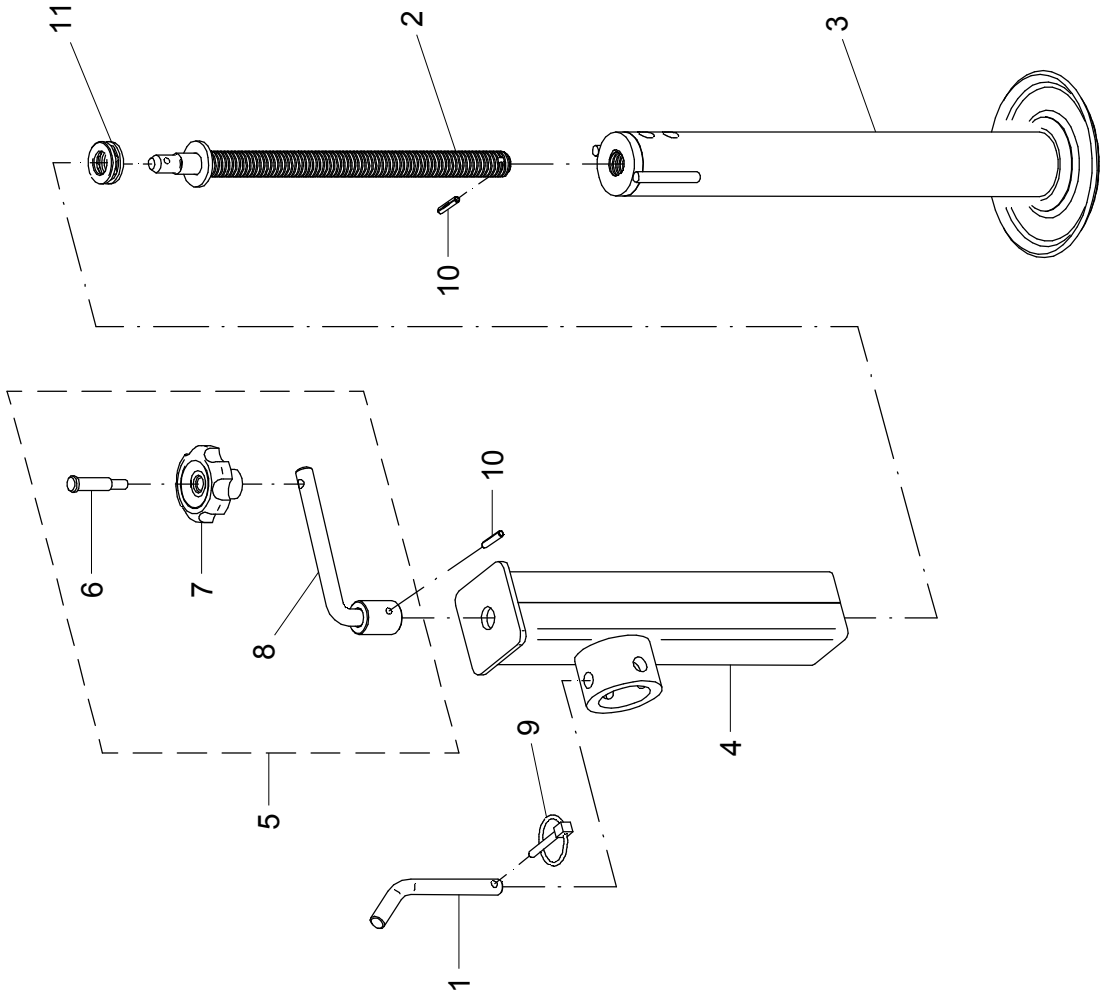


8 – CABEÇALHO				
POS.	CÓDIGO	DENOMINAÇÃO	QTDE.	
1	00800009	PORCA	1	
2	20900012	EIXO	1	
3	20900013	MANCAL	2	
4	20901200	MANCAL DO EIXO	1	
5	21411700	MACACO JAN (OPCIONAL)	1	
5	21421800	MACACO IMIAG (OPCIONAL)	1	
5	21422000	MACACO ROBUSTEC (OPCIONAL)	1	
6	22500011	PORCA	1	
7	22501605	BUCHA DE BRONZE – OCOS	2	
8	22505400	ENGATE	1	
8	22508700	ENGATE RÓTULA 35,7 mm (OPCIONAL)	1	
9	23700004	PINO	1	
10	23700005	PINO	1	
11	23700006	PORCA	1	
12	23700010	BUCHA	2	
13	23700700	CABECALHO	1	
14	23700800	SUPORTE	1	
15	23701400	SUPORTE	1	
16	23711100	EIXO	1	
17	40151405	3148 268 M1- BUCHA	2	
18	47030102	BUCHA MAIOR	1	
19	60177480	PARAF. CAB. SEXT. M10X1.5X100 DIN 931 8.8 ZB	2	
20	60178068	PARAF. CAB. SEXT. M16X2X45 DIN 933 8.8 ZB	2	
21	60178950	PARAF. CAB. SEXT. M24X2X70 DIN 960 8.8 ZB	8	
22	61130810	PORCA SEXT. M10X1.5 DIN 934 8. ZB	2	
23	61412211	PORCA AUTO FREN. M24X2 DIN 982 ZB	9	
24	61431410	PORCA AUTO FREN. ALTA M16X2 DIN 982 8. ZB	2	
25	62010216	ARRUELA LISA A 17 DIN 9021 ZB	4	
26	62010224	ARRUELA LISA A 24.5 DIN 9021 ZB	1	
27	62030724	ARRUELA LISA Ø25XØ50X2.5 INOX	16	

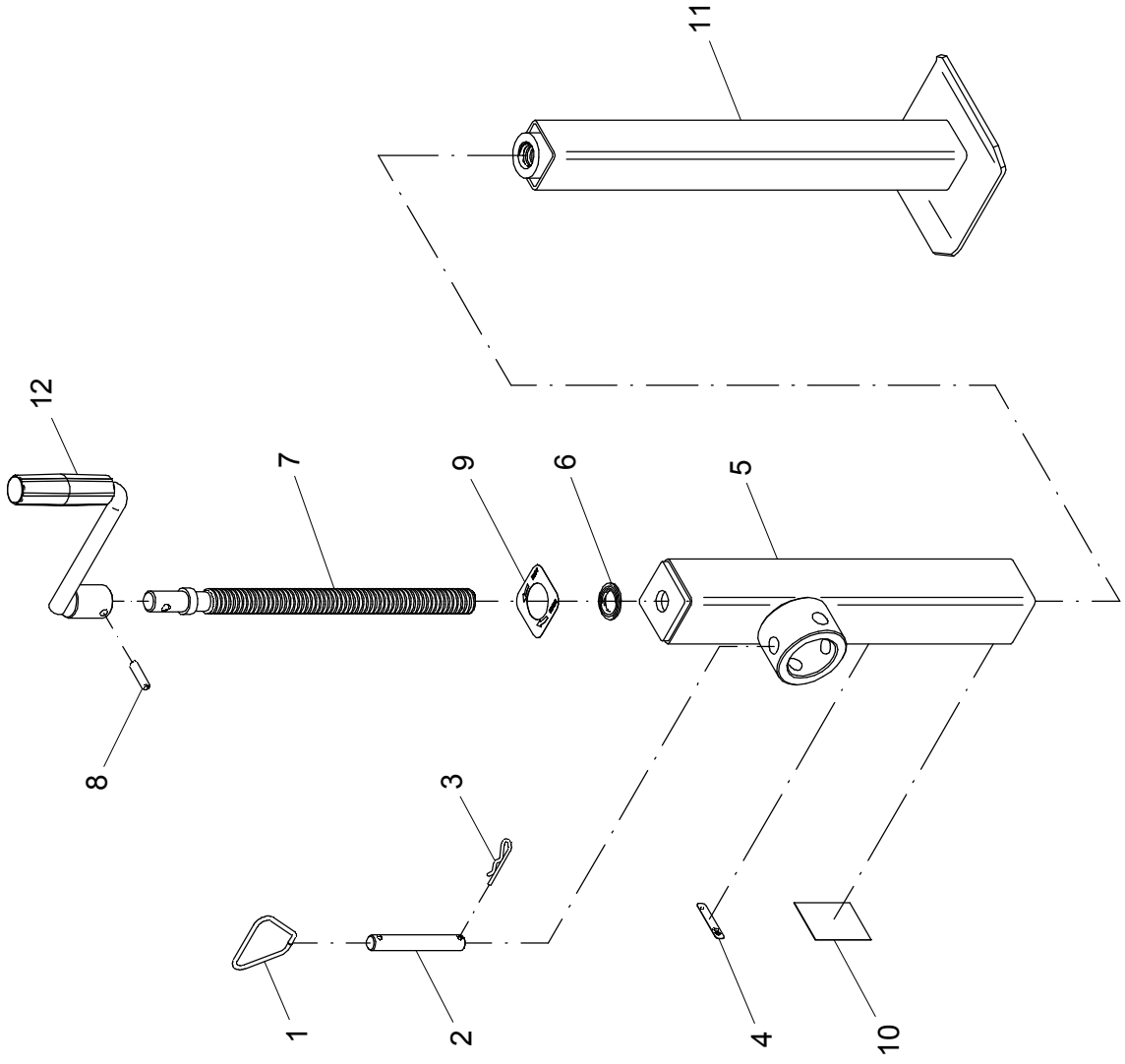
8 – CABEÇALHO				
POS.	CÓDIGO	DENOMINAÇÃO	QTDE.	
28	62050508	ARRUELA DE PRESSAO B 10 DIN 127 ZB	2	
29	63022436	PINO ELASTICO Ø 10 X 75 DIN 1481 (RENO)	1	
30	63022636	PINO ELASTICO Ø 14 X 75 DIN 1481 (RENO)	1	
31	63141517	CONTRAPINO Ø 5/16 X 3.1/2" ZB	1	
32	63142034	CONTRAPINO Ø 6.3 X 70 DIN 94 ZB	1	
33	65070403	GRAXEIRA M10 X 1 RETA	8	



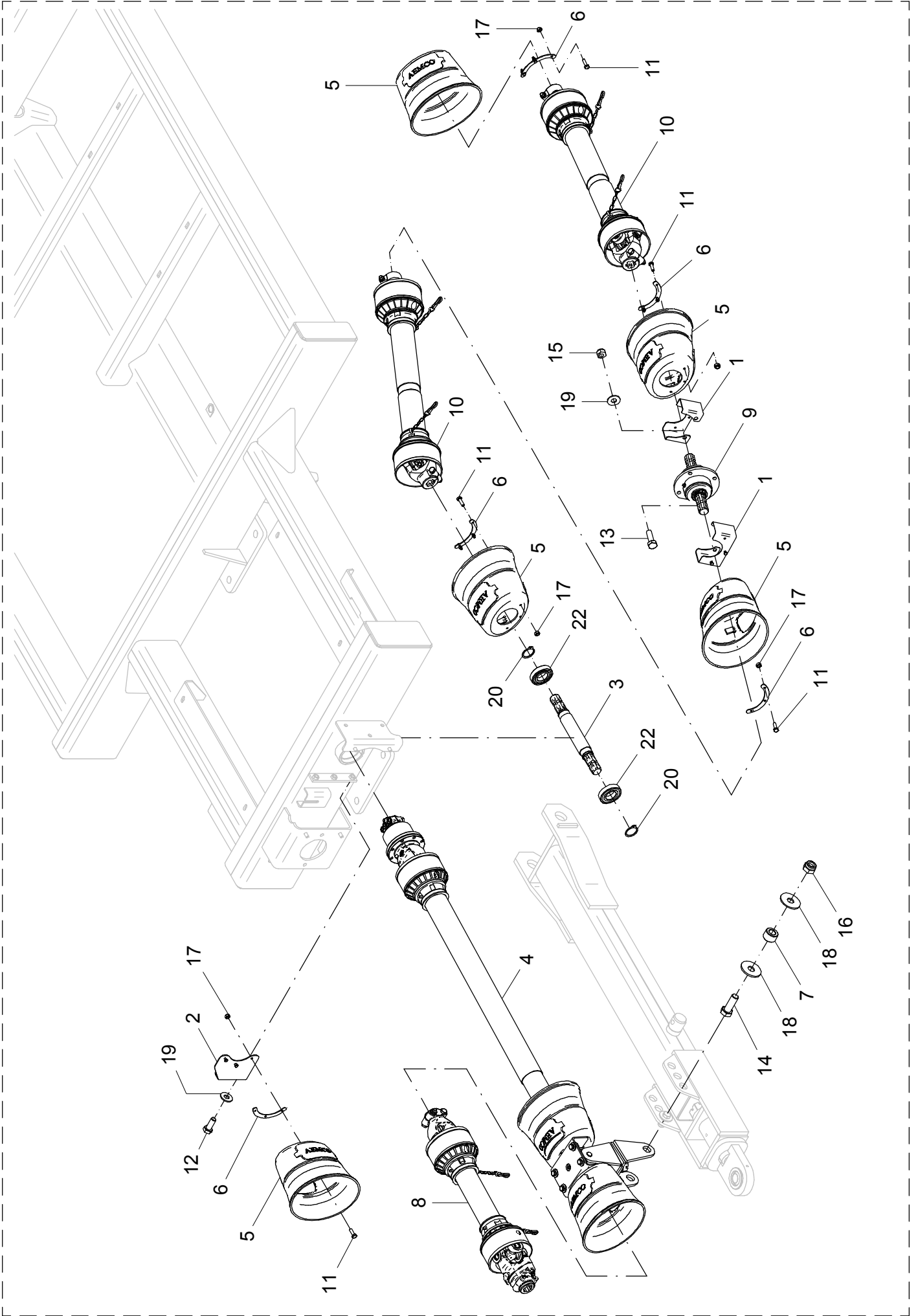






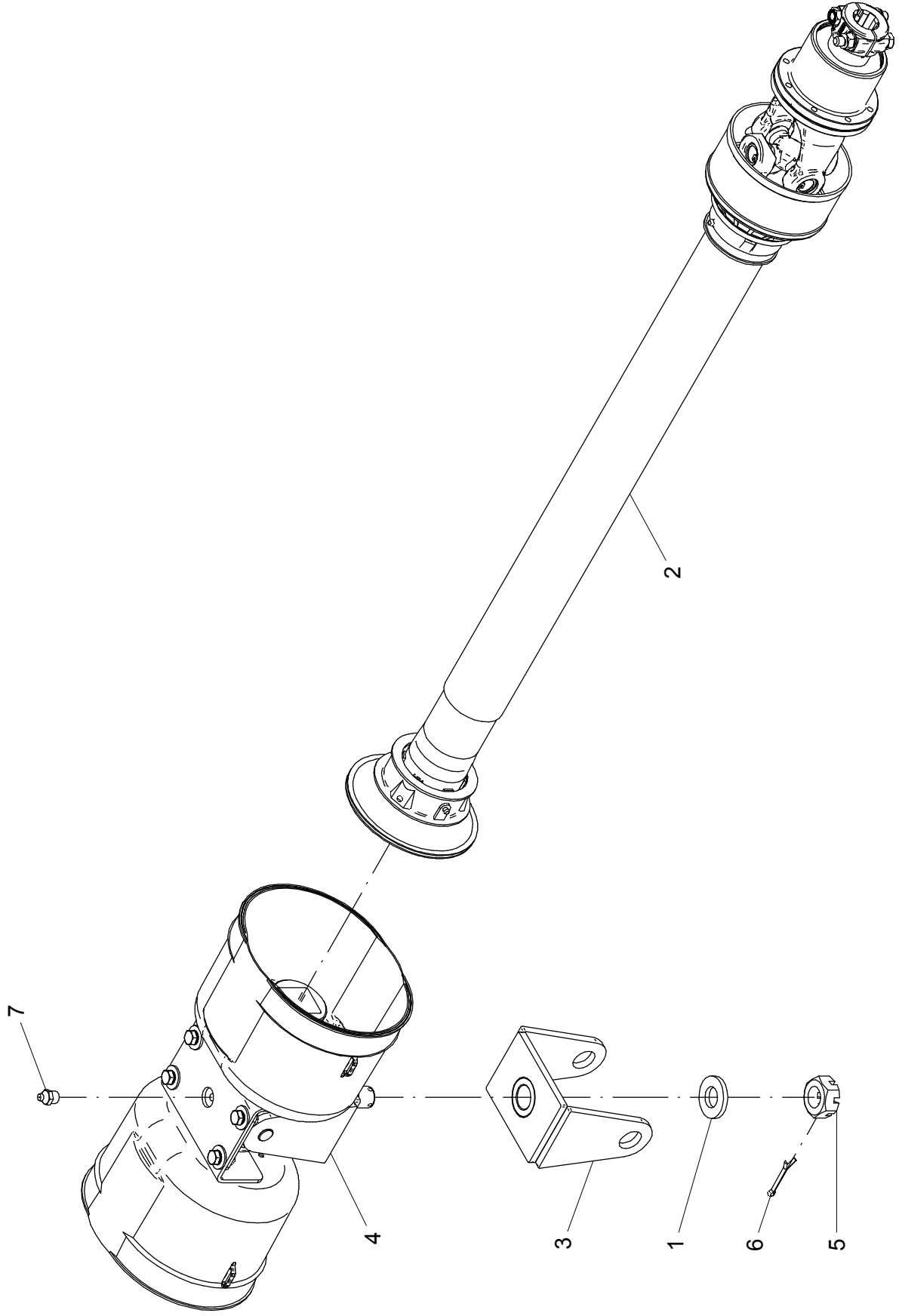




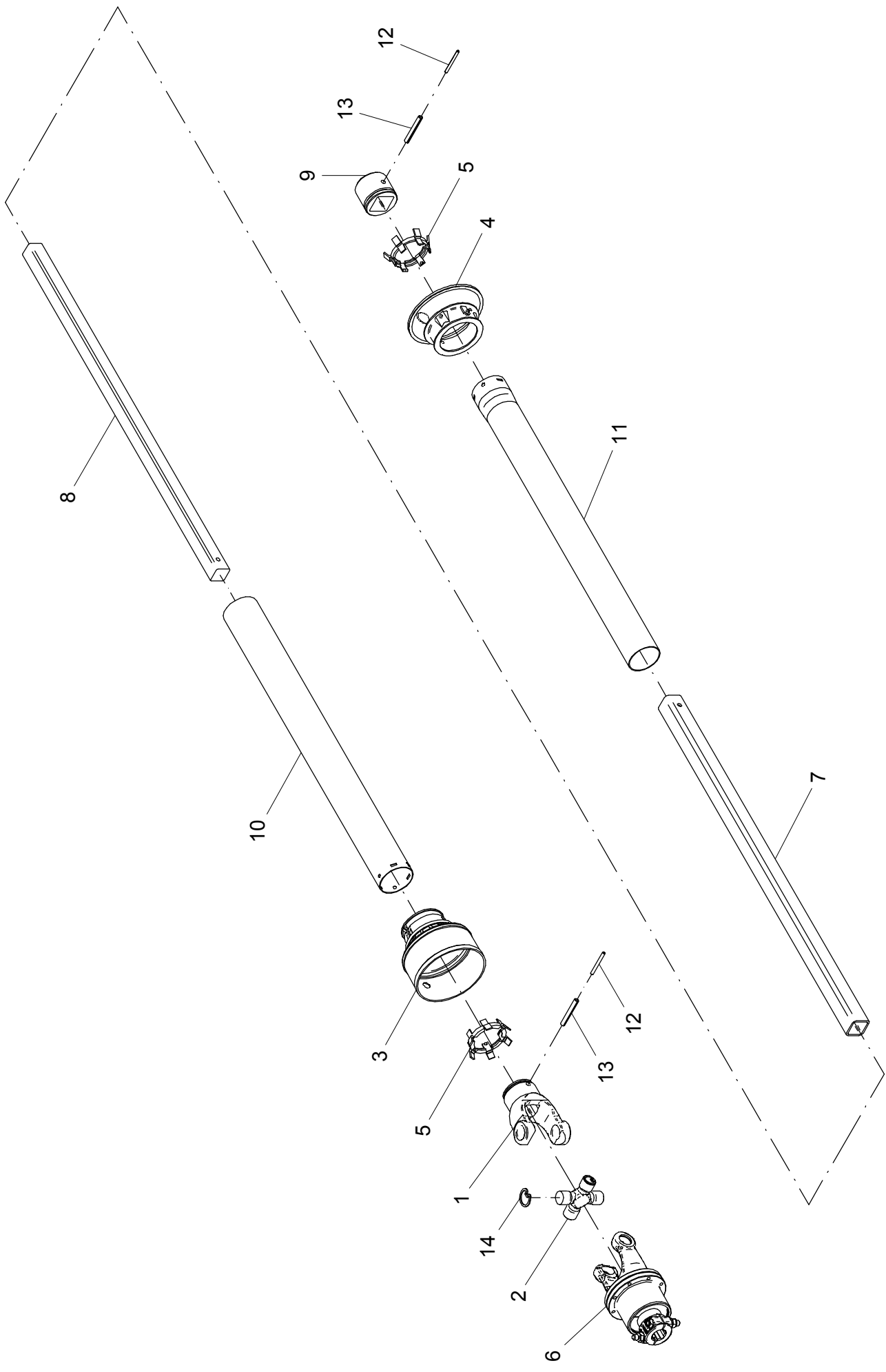


12 – SISTEMA DE TRANSMISSÃO				
POS.	CÓDIGO	DENOMINAÇÃO	QTDE.	
1	21108302	SUPORTE COIFA	2	
2	21108304	SUPORTE COIFA	1	
3	21200001	EIXO	1	
4	21208500	ARTICULADOR	1	
5	21500013	COIFA TDP (AEMCO CCPTDP)	5	
6	21500014	FIXADOR	5	
7	23700010	BUCHA	2	
8	23710800	CARDAN C/ PROTECAO	1	
9	26203300	MANCAL	1	
10	26231200	KIT CARDAN C/ PROTECAO	2	
11	60117054	PARAFUSO CABEÇA SEXTAVADA M6X1X20 DIN 933 ZB	15	
12	60117674	PARAFUSO CABEÇA SEXTAVADA M12X1.75X30 DIN 933 INOX	2	
13	60177666	PARAFUSO CABEÇA SEXTAVADA M12X1.75X40 DIN 933 8.8 ZB	4	
14	60178068	PARAFUSO CABEÇA SEXTAVADA M16X2X45 DIN 933 8.8 ZB	2	
15	61411010	PORCA AUTO FRENANTE ALTA M12X1.75 DIN 982 ZB	4	
16	61431410	PORCA AUTO FRENANTE ALTA M16X2 DIN 982 8. ZB	2	
17	61530410	PORCA AUTO FRENANTE BAIXA M6X1 DIN 985 8.ZB	15	
18	62010216	ARRUELA LISA A 17 DIN 9021 ZB	4	
19	62030712	ARRUELA LISA Ø13XØ30X2.5 INOX	6	
20	64010106	ANEL ELASTICO E-40 DIN 471	2	
21	65070403	GRAXEIRA M10 X 1 RETA	1	
22	68015306	ROL. RIGIDO DE ESFERAS 6208 1-RS SL	2	

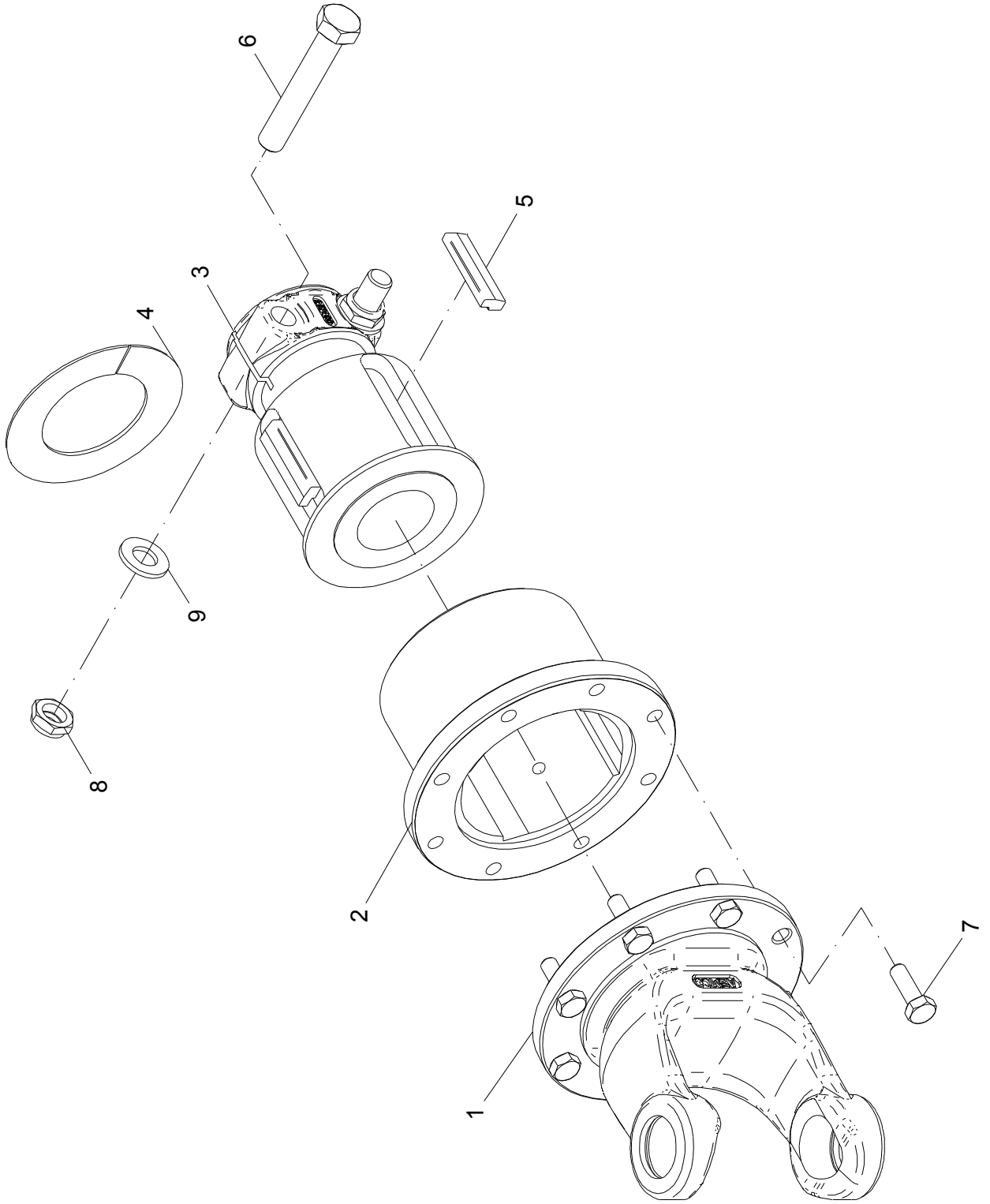
12 – SISTEMA DE TRANSMISSÃO				
POS.	CÓDIGO	DENOMINAÇÃO	QTDE.	





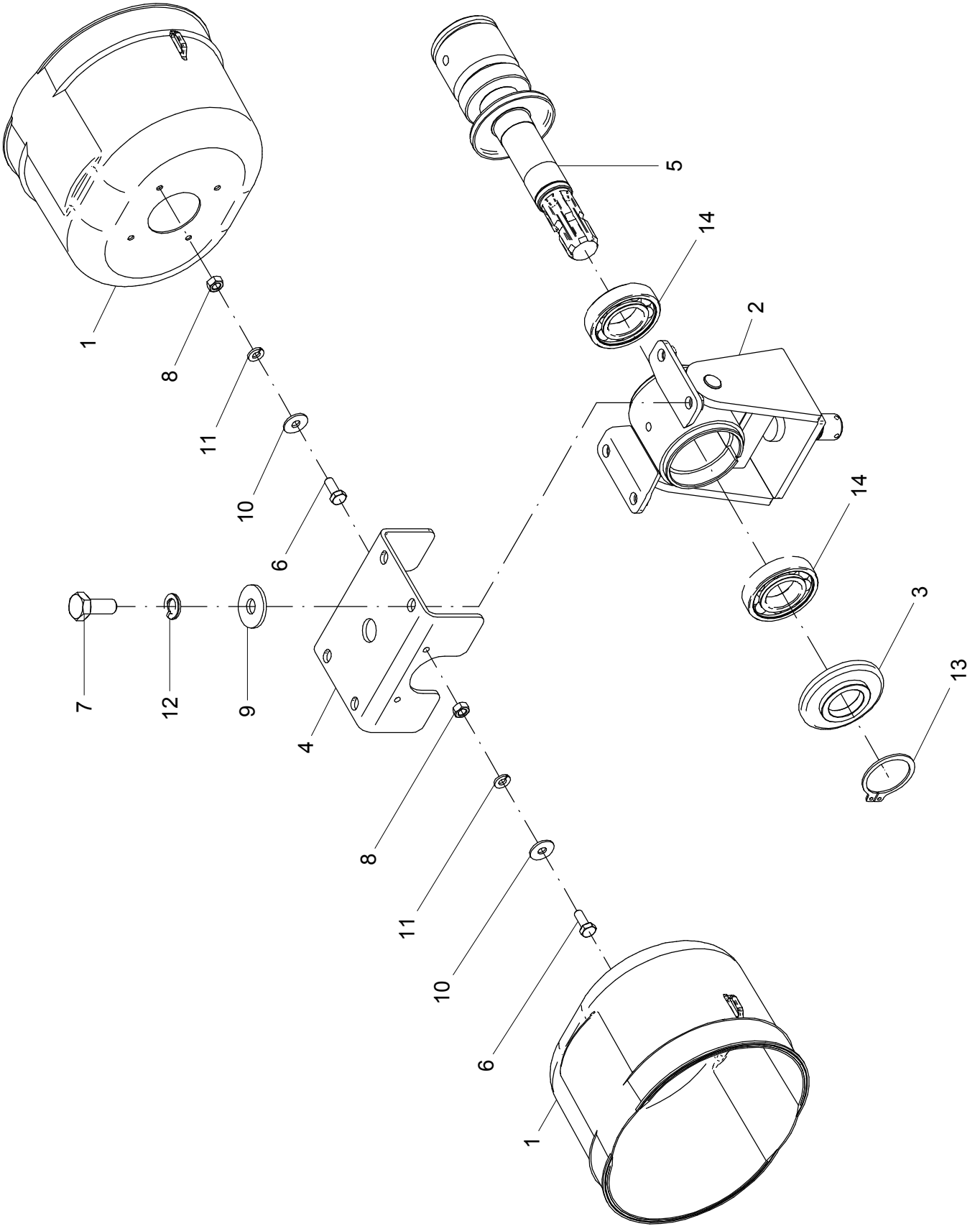






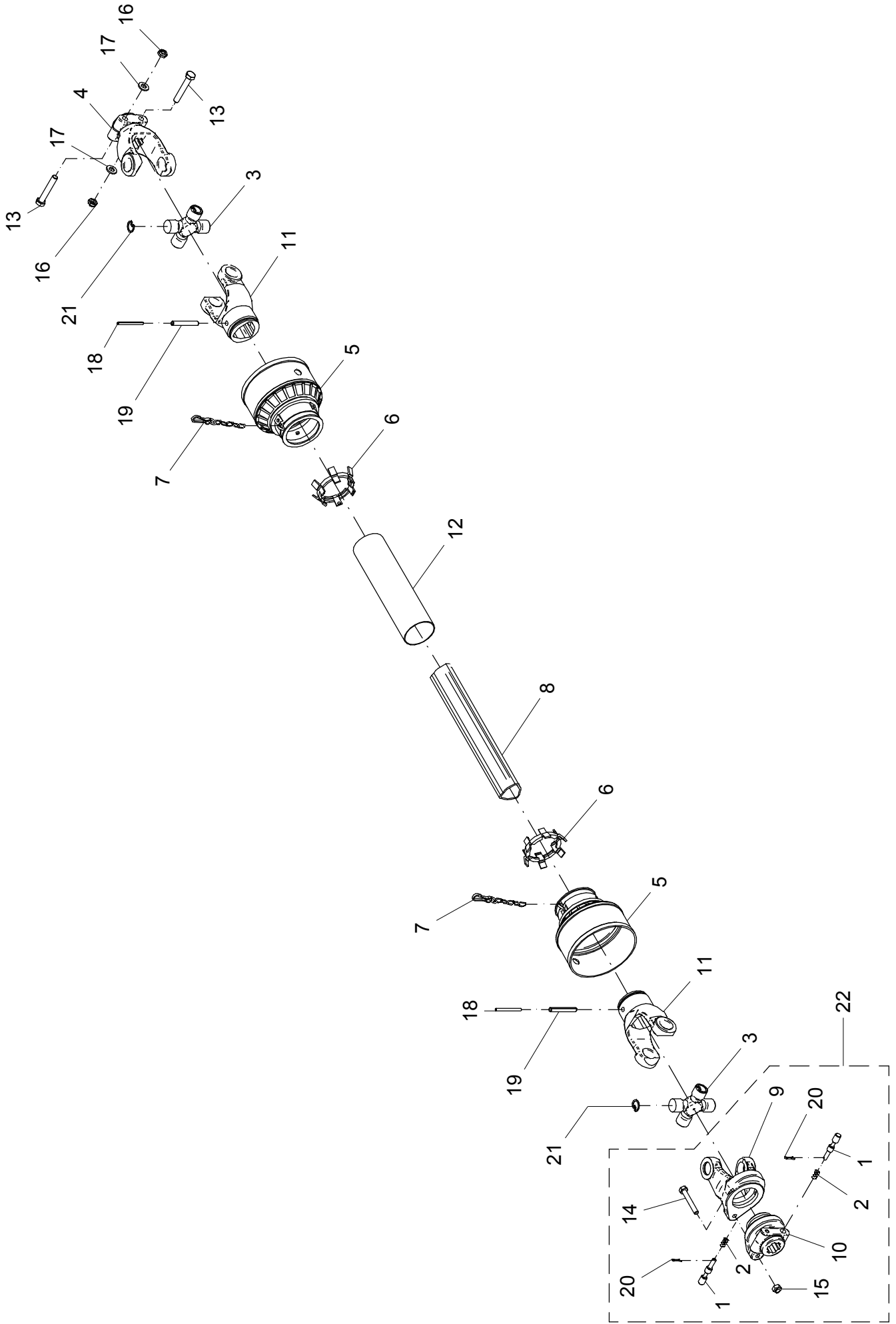
15 - GIRO LIVRE - 21312700				
POS.	CÓDIGO	DENOMINAÇÃO	QTDE.	
1	21312701	JUNTA GIRO LIVRE (COD AEMCO CC-91AR)	1	
2	21312702	FLANGE GIRO LIVRE (COD AEMCO CC-281RD)	1	
3	21312703	ADAPTADOR GIRO LIVRE (COD AEMCO CC-238AR)	1	
4	21312704	ARRUELA VEDACAO GIRO LIVRE (COD AEMCO CC-071)	1	
5	21312705	CATRACA GIRO LIVRE (COD AEMCO CC-107)	4	
6	60112527	PARAF. CAB. SEXT. 1/2 NFX 3" 10.9 ROSCA PARCIAL	2	
7	60117210	PARAF. CAB. SEXT. M8X1,25X25 DIN 933	8	
8	61511102	PORCA AUTO FRENANTE BAIXA 1/2" NF	2	
9	62020612	ARRUELA LISA A 13 DIN 1441	2	

15 - GIRO LIVRE - 21312700				
POS.	CÓDIGO	DENOMINAÇÃO	QTDE.	



16 – MANCAL – 23710600			
POS.	CÓDIGO	DENOMINAÇÃO	QTDE.

16 – MANCAL – 23710600			
POS.	CÓDIGO	DENOMINAÇÃO	QTDE.
1	07500024	PROTETOR	2
2	23706700	MANCAL	1
3	23708400	PROTETOR	1
4	23710601	SUPORTE DO PROTETOR	1
5	23710700	EIXO	1
6	60117050	PARAF.CAB.SEXT.M6X1X15 DIN 933 ZB	4
7	60117458	PARAF.CAB.SEXT.M10X1.5X25 DIN 933 ZB	4
8	61110410	PORCA SEXT.M6X1 DIN 934 ZB	4
9	62010710	ARRUELA LISA A 10.5 DIN 9021 INÓX	4
10	62030704	ARRUELA LISA Ø6.5XØ18X1.5 INOX	4
11	62050504	ARRUELA DE PRESSAO B 6 DIN 127 ZB	4
12	62050508	ARRUELA DE PRESSAO B 10 DIN 127 ZB	4
13	64010106	ANEL ELASTICO E-40 DIN 471	1
14	68015106	ROL. RIGIDO DE ESFERAS 6208 Z SL	2

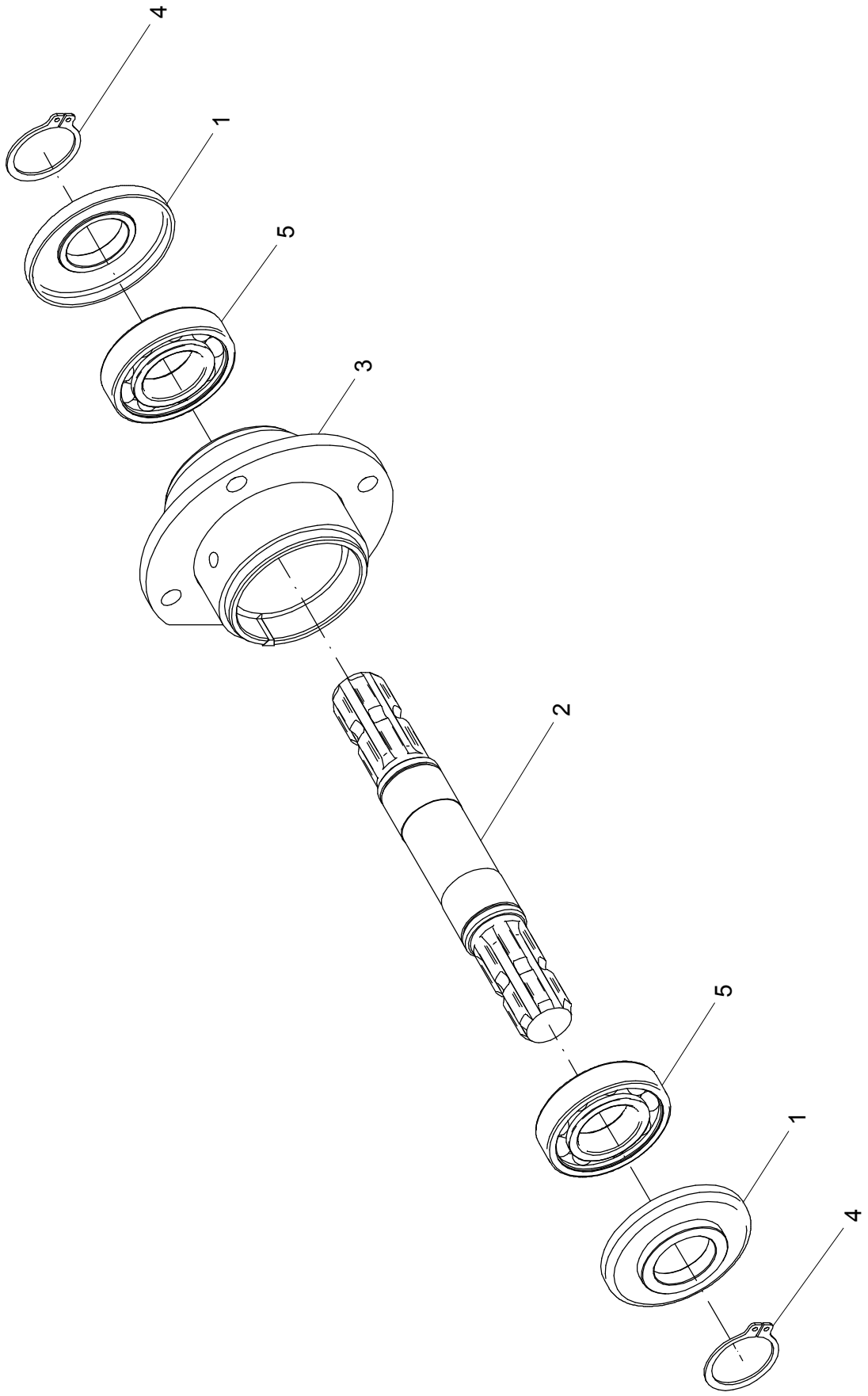


17 - CARDAN COM PROTEÇÃO - 23710800

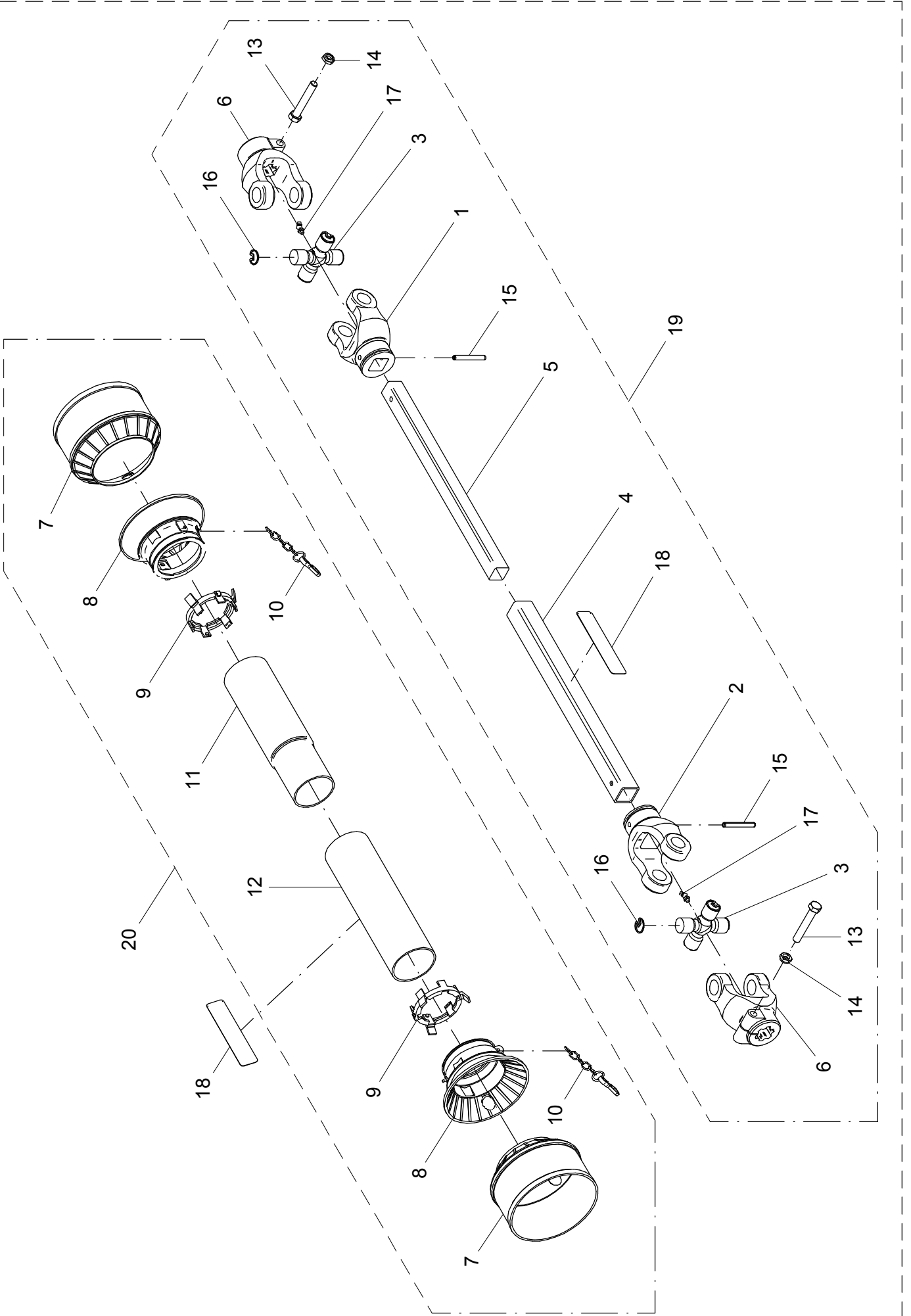
POS.	CÓDIGO	DENOMINAÇÃO	QTDE.
1	07303201	PINO	2
2	07303202	MOLA	2
3	07404000	GRUZETA (CODIGO AEMCO CC-55)	2
4	07404100	TERMINAL (CODIGO AEMCO CC-56)	1
5	07404501	CONE	2
6	07404503	ANEL	2
7	07404504	CORRENTE	2
8	21207001	TUBO	1
9	21312601	JUNTA TERMINAL DE TORQUE (CODIGO AEMCO CC-70A)	1
10	21312602	ADAPTADOR DE TORQUE (CODIGO AEMCO CC-70C)	1
11	23710801	JUNTA	2
12	23710802	TUBO	1
13	60112527	PARAF. CAB. SEXT. 1/2 NFX 3" 10.9 R. PARCIAL	2
14	60177526	PARAF. CAB. SEXT. M10X1.5X70 8.8 DIN 931	1
15	61410809	PORCA AUTO FREN. ALTA M10X1.5 DIN 982	1
16	61511102	PORCA AUTO FREN. BAIXA 1/2" NF	2
17	62020212	ARRUELA LISA A 13 DIN 1441 ZB	2
18	63021834	PINO ELASTICO Ø 6 X 70 DIN 1481 (RENO)	2
19	63022434	PINO ELASTICO Ø 10 X 70 DIN 1481 (RENO)	2
20	63141218	CONTRA-PINO	2
21	64020814	ANEL ELASTICO I-30 RENO 513	8
22	21312600	TERMINAL DE TORQUE (CODIGO AEMCO CC70/1)	1

17 - CARDAN COM PROTEÇÃO - 23710800

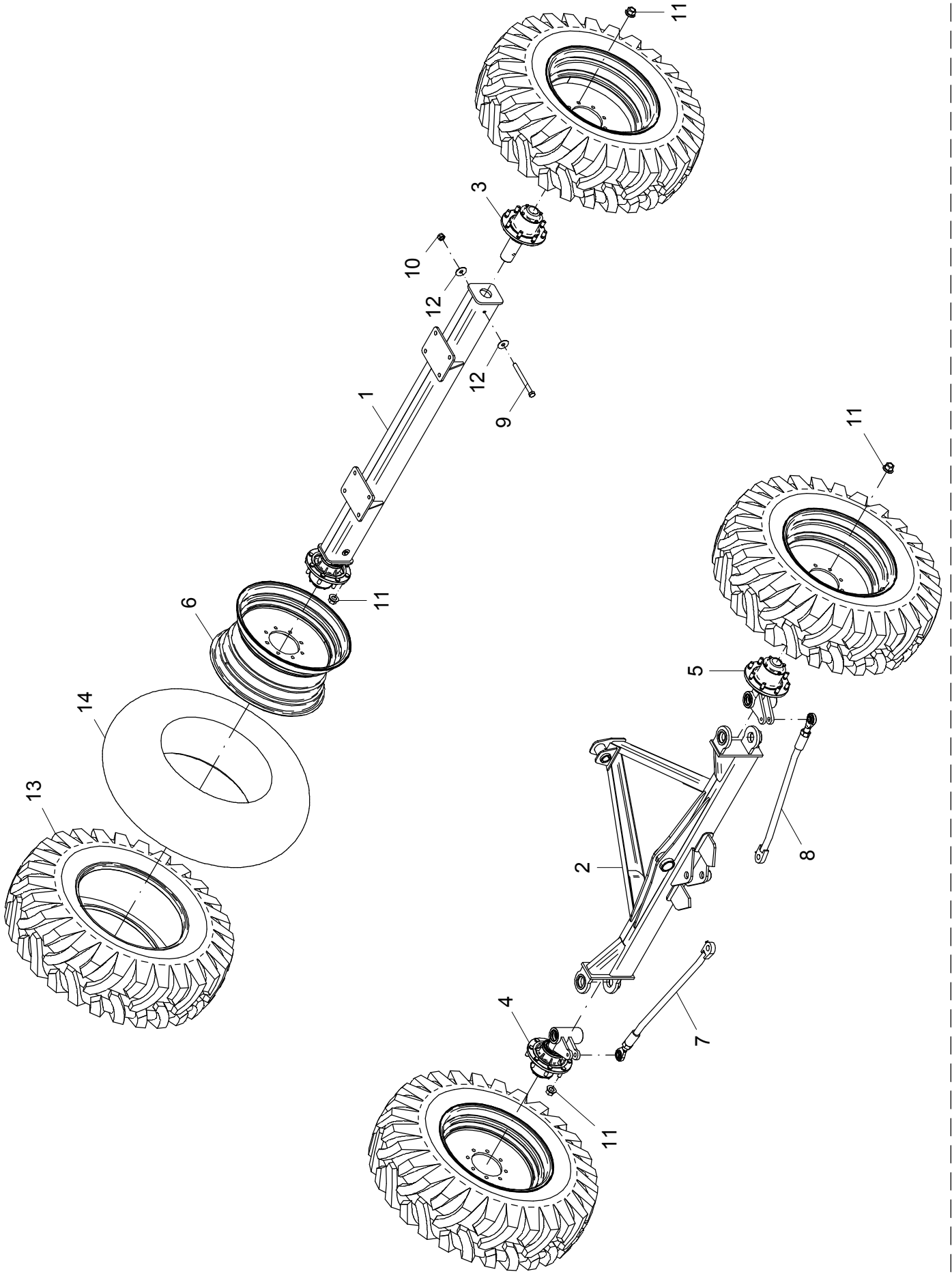
POS.	CÓDIGO	DENOMINAÇÃO	QTDE.





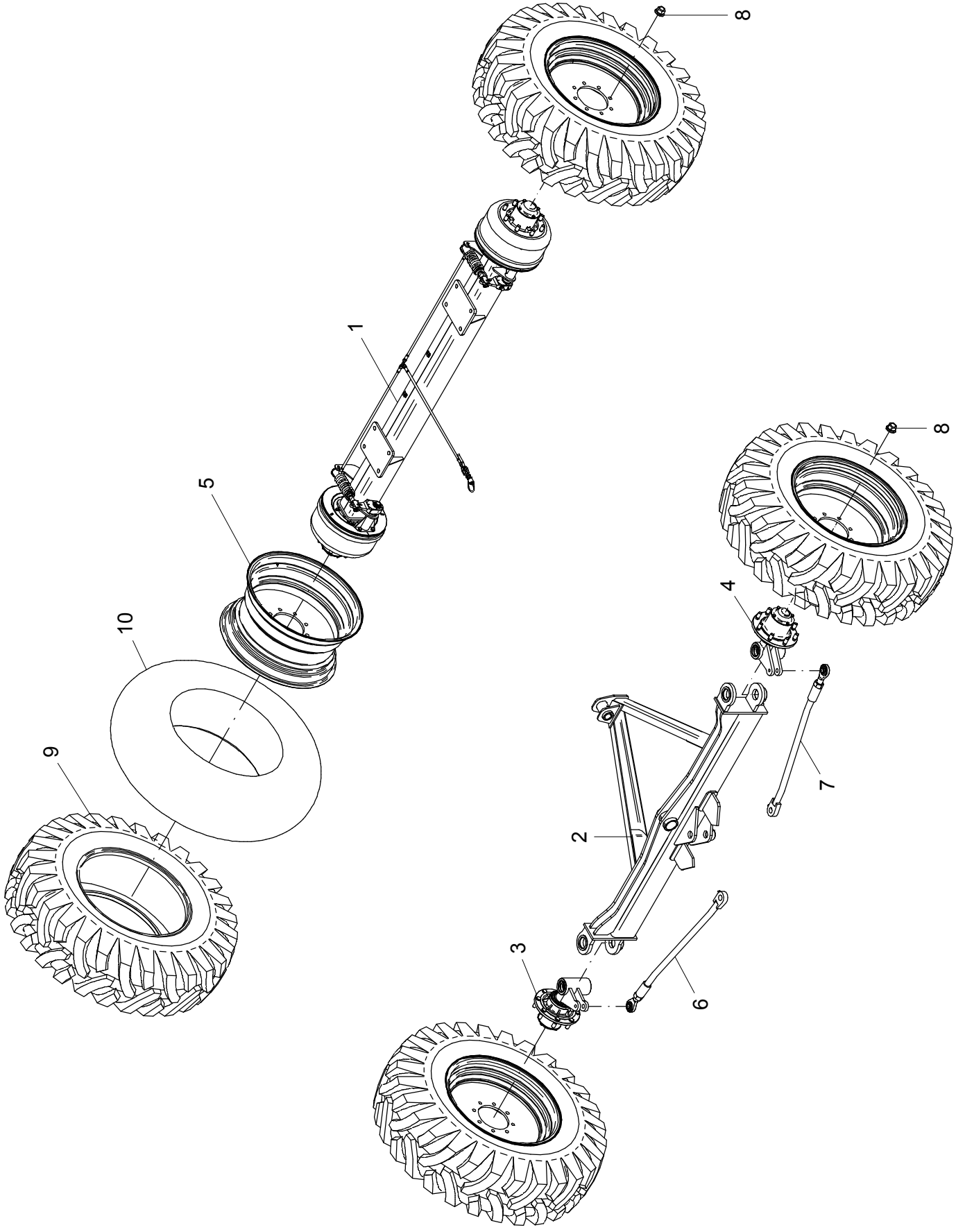






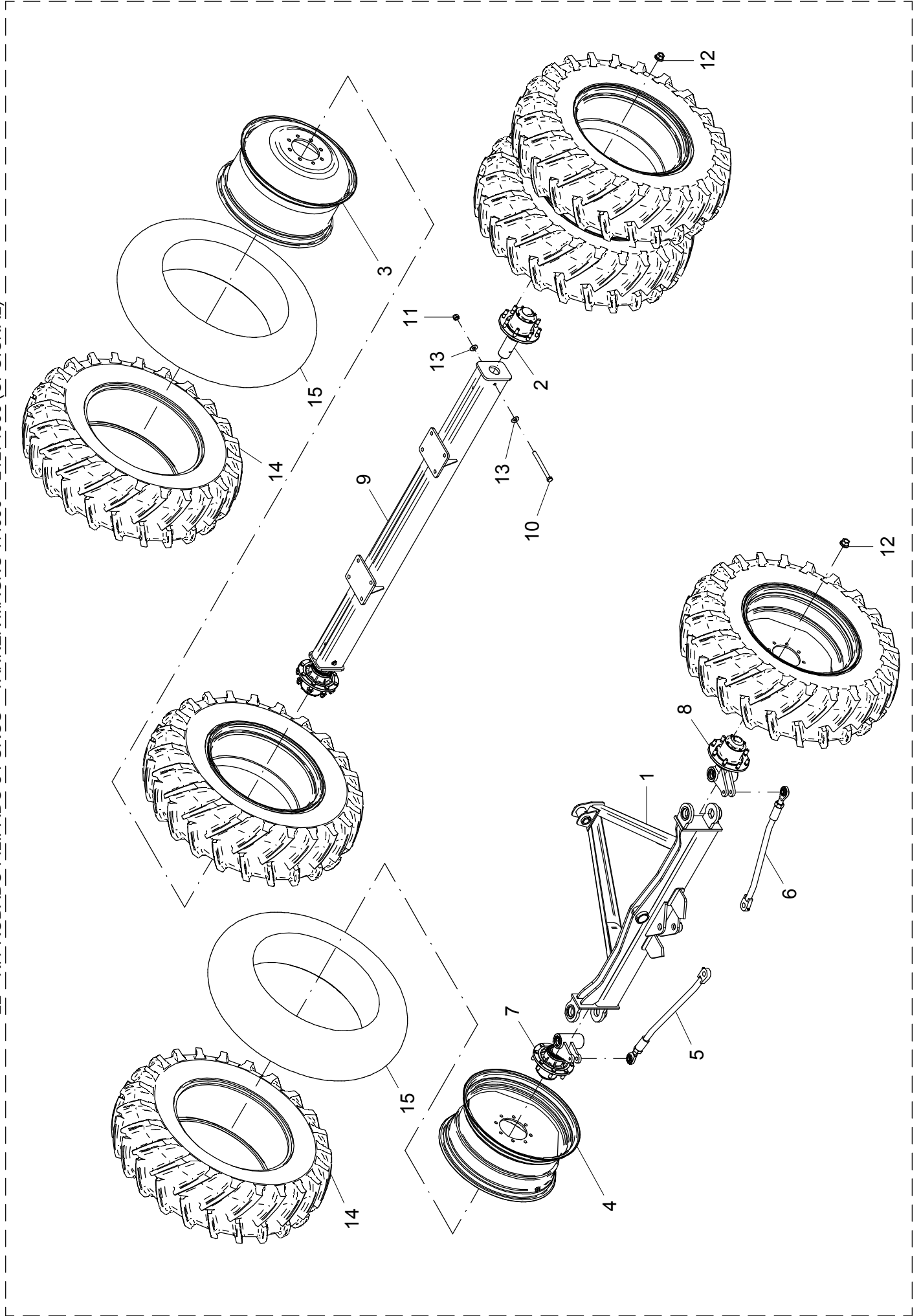
20 – KIT RODADO 08 FUROS TANKER MAGNU 17.000 – 21102200 E 21104700

POS.	CÓDIGO	DENOMINAÇÃO	QUANTIDADE																		
			21102200				21104700														
			17.000	20.000	25.000	17.000	20.000	25.000	17.000	25.000											
1	26228600	EIXO TRASEIRO (BITOLA 2550)	1																		
1	21104800	EIXO TRASEIRO (BITOLA 2800)																			
2	21113500	EIXO DIANTEIRO (BITOLA 2550)	1																		
2	21113600	EIXO DIANTEIRO (BITOLA 2800)																			
3	21414000	CUBO RODADO	2																		
4	23702400	CUBO RODADO 8 FUROS DIREITO	1																		
5	23702600	CUBO RODADO 8 FUROS ESQUERDO	1																		
6	23703300	RODA DW-16"AX30" 8 FUROS	4																		
7	23701000	TIRANTE DIREITO	1																		
7	23705300	TIRANTE DIREITO																			
8	23701200	TIRANTE ESQUERDO	1																		
8	23705500	TIRANTE ESQUERDO																			
9	60178098	PARAF. CAB. SEXT. M16X2X180 DIN 931 8.8 ZB	2																		
10	61431410	PORCA AUTO FREN. ALTA M16X2 DIN 982 8. ZB	2																		
11	61642011	PORCA DE RODA M22X1.5 10.9 FOSF.	32																		
12	62010216	ARRUELA LISA A 17 DIN 9021 ZB	4																		
13	73010926	PNEU AGRICOLA 18.4-30 TM 95 12 LONAS (OP)	4																		
14	73020222	CAMARA 18.4-30 (30T940) (OP)	4																		

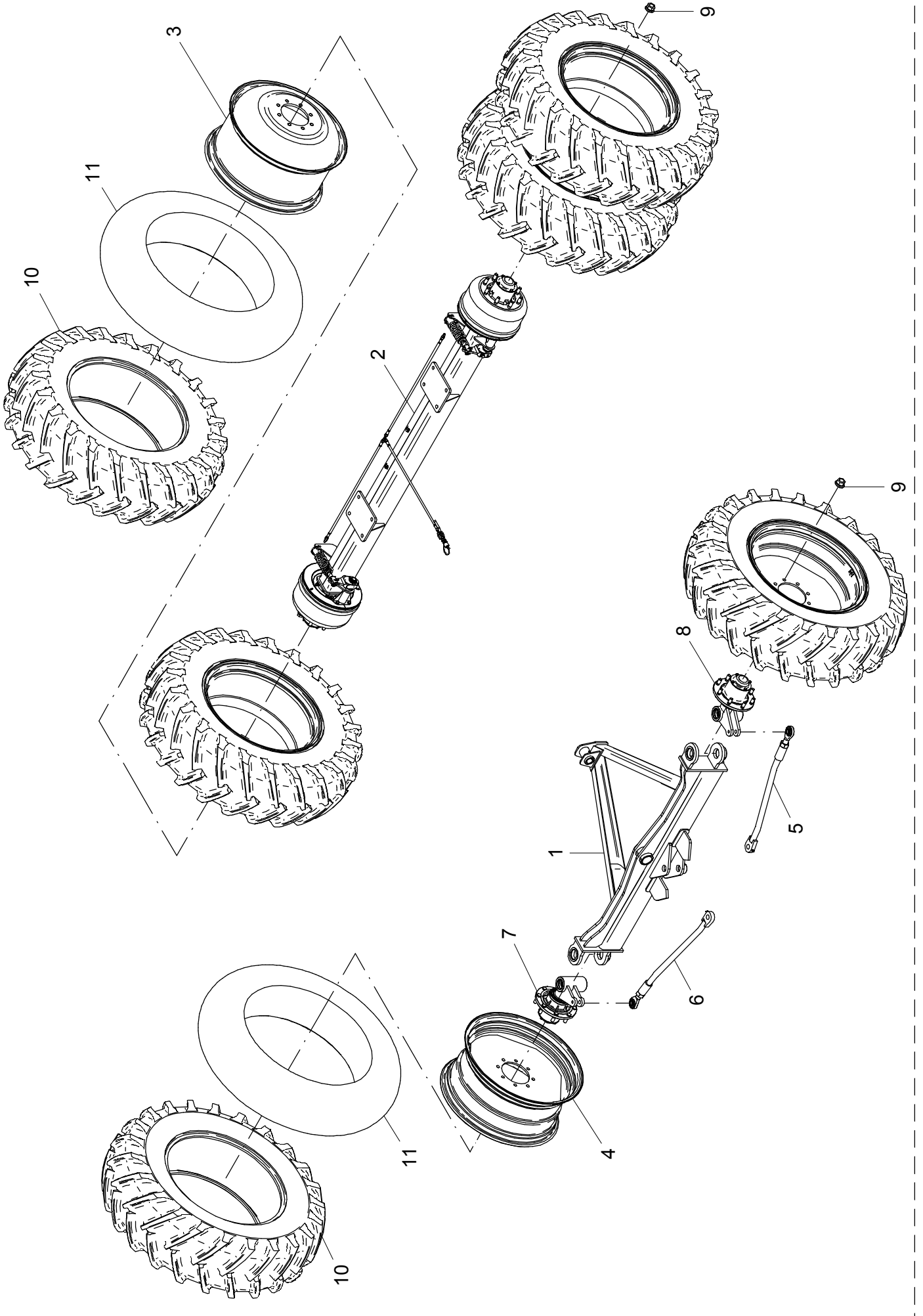


21 - KIT RODADO COM FREIO 08 FUROS - TANKER MAGNIU 17.000 – 21102300 E 26230900 (OPCIONAL)

POS.	CÓDIGO	DENOMINAÇÃO	QUANTIDADE																	
			21102300					26230900												
			17.000	20.000	25.000	17.000	20.000	25.000	17.000	20.000	25.000									
1	21101900	EIXO COM FREIO 8 FUROS (BITOLA 2800)	1	---	---	---	---	---	---	---	---	---	---	---	---	---	---	---	---	---
1	26226100	EIXO COM FREIO 8 FUROS (BITOLA 2550)	---	---	---	---	1	---	---	---	---	---	---	---	---	---	---	---	---	---
2	21113600	EIXO DIANTEIRO (BITOLA 2800)	1	---	---	---	---	---	---	---	---	---	---	---	---	---	---	---	---	---
2	21113500	EIXO DIANTEIRO (BITOLA 2550)	---	---	---	---	1	---	---	---	---	---	---	---	---	---	---	---	---	---
3	23702400	CUBO RODADO 8 FUROS DIREITO	1	---	---	---	1	---	---	---	---	1	---	---	---	---	---	---	---	---
4	23702600	CUBO RODADO 8 FUROS ESQUERDO	1	---	---	---	1	---	---	---	---	1	---	---	---	---	---	---	---	---
5	23703300	RODA DW-16"X30" 8 FUROS	4	---	---	---	4	---	---	---	---	4	---	---	---	---	---	---	---	---
6	23705300	TIRANTE DIREITO	1	---	---	---	---	---	---	---	---	---	---	---	---	---	---	---	---	---
6	23701000	TIRANTE DIREITO	---	---	---	---	1	---	---	---	---	1	---	---	---	---	---	---	---	---
7	23705500	TIRANTE ESQUERDO	1	---	---	---	---	---	---	---	---	---	---	---	---	---	---	---	---	---
7	23701200	TIRANTE ESQUERDO	---	---	---	---	1	---	---	---	---	1	---	---	---	---	---	---	---	---
8	61642011	PORCA DE RODA M22X1.5 10.9 FOSF.	32	---	---	---	32	---	---	---	---	32	---	---	---	---	---	---	---	---
9	73010926	PNEU AGRICOLA 18.4-30 TM 95 12 LONAS (OP)	4	---	---	---	4	---	---	---	---	4	---	---	---	---	---	---	---	---
10	73020222	CAMARA 18.4-30 (30T940) (OP)	4	---	---	---	4	---	---	---	---	4	---	---	---	---	---	---	---	---





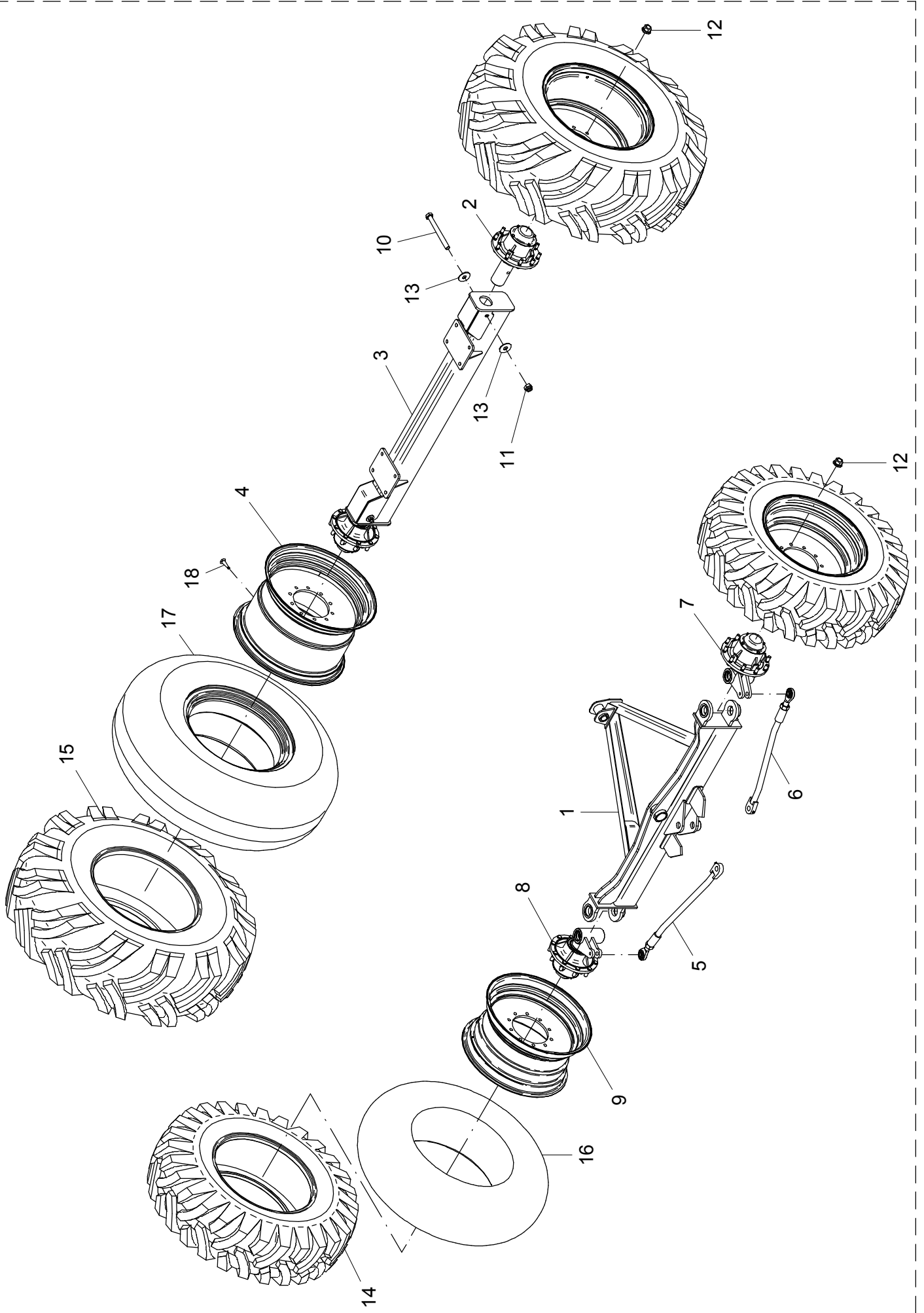


23 – KIT RODADO FILIPADO 8 FUROS COM FREIO – TANKER MAGNU  
17.000 – 21274700 (OPCIONAL)

POS.	CÓDIGO	DENOMINAÇÃO	QTDE.
1	21113500	EIXO DIANTEIRO	1
2	21274400	EIXO COM FREIO 8 FUROS RODADO FILIPADO	1
3	21274600	RODA W16" x 34" Ø220	4
4	21408600	RODA DW-16"x34" FØ220	2
5	23701000	TIRANTE ESQUERDO	1
6	23701200	TIRANTE DIREITO	1
7	23702400	CUBO RODADO 8 FUROS	1
8	23702600	CUBO RODADO 8 FUROS	1
9	61642011	PORCA DE RODA M22X1.5 10.9 FOSF.	32
10	73010957	PNEU AGRICOLA 18.4-34 TM95-12 LONAS	6
11	73020234	CAMARA 18.4-34 (34T995)	6

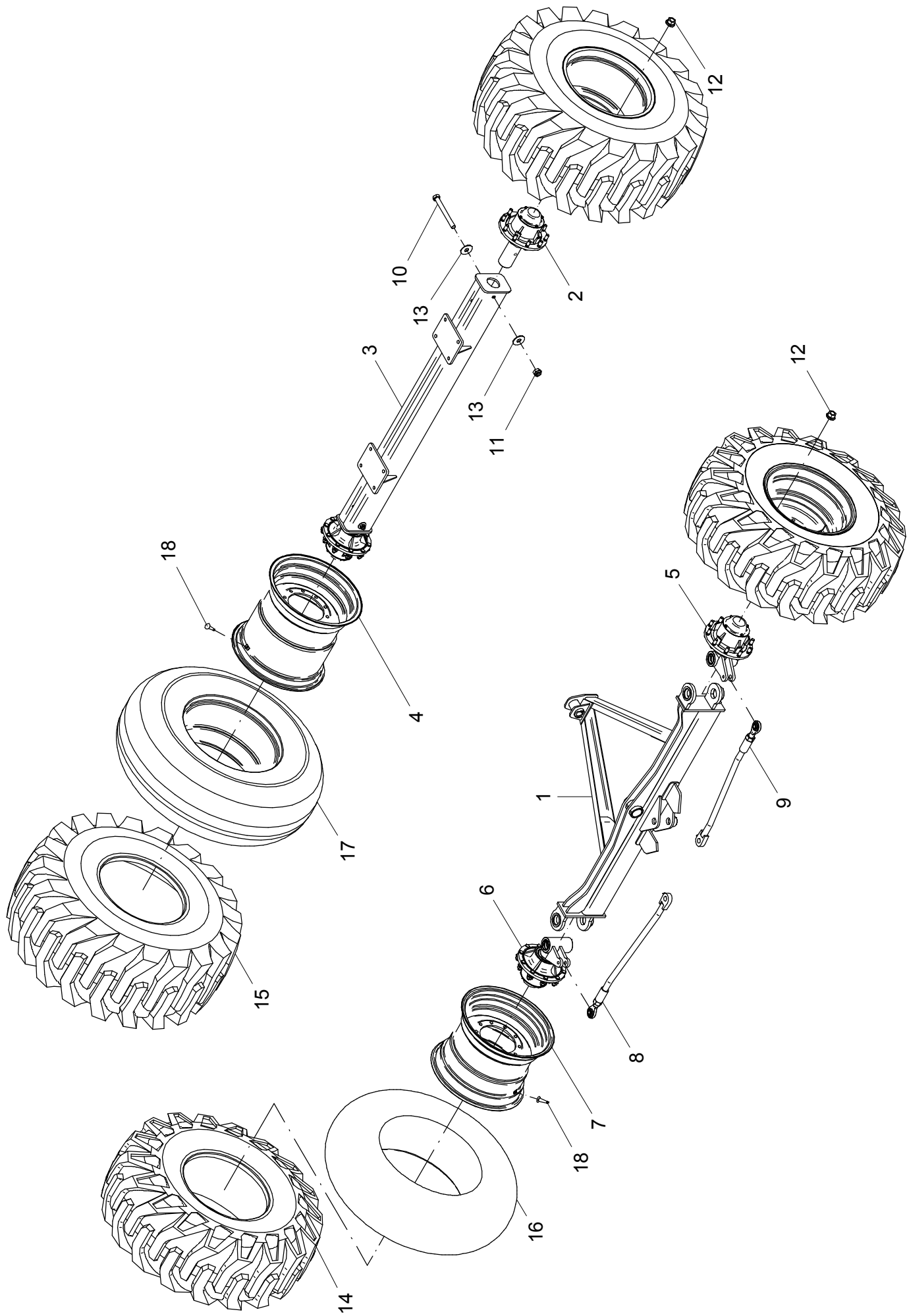
23 – KIT RODADO FILIPADO 8 FUROS COM FREIO – TANKER MAGNU  
17.000 – 21274700 (OPCIONAL)

POS.	CÓDIGO	DENOMINAÇÃO	QTDE.



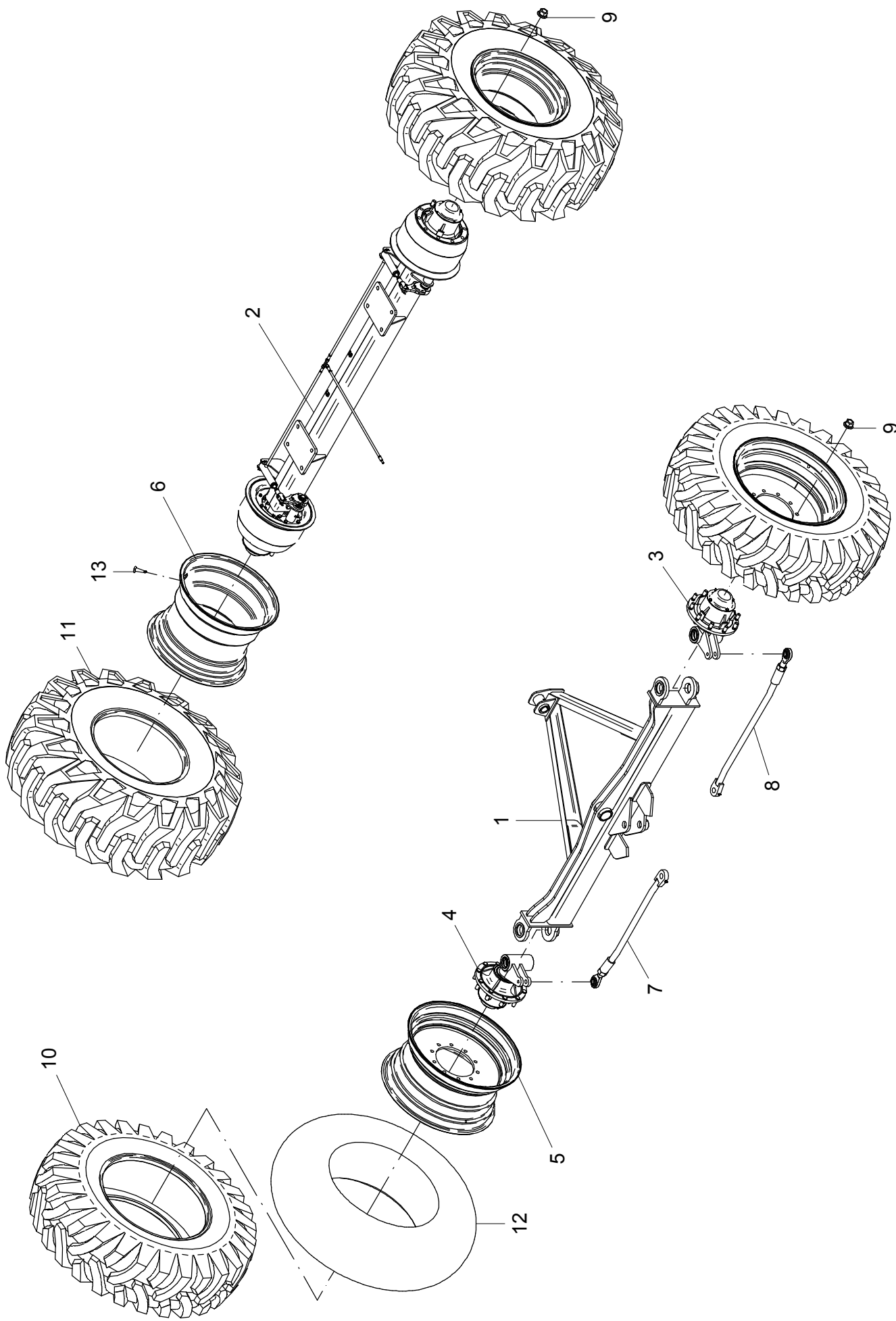
24 - KIT RODADO 10 FUROS BITOLA 2550 - TANKER MAGNU 17.000, 20.000 E 25.000 (OPCIONAL)

POS.	CÓDIGO	DENOMINAÇÃO	QUANTIDADE											
			24600400			21233200			21241800					
			17.000	20.000	25.000	17.000	20.000	25.000	17.000	20.000	25.000			
1	21113500	EIXO DIANTEIRO	1	1	---	---	---	---	---	---	---	---	---	---
2	21218000	CUBO RODADO 10 FUROS	2	2	---	---	---	---	---	---	---	---	---	---
3	21233600	EIXO TRASEIRO	---	---	---	---	---	---	---	---	---	---	---	---
3	21233000	EIXO TRASEIRO (OP)	---	---	---	---	---	---	---	---	---	---	---	---
3	21217900	EIXO TRASEIRO	1	1	---	---	---	---	---	---	---	---	---	---
4	21700800	RODA DW - 21 x 32" 10 FUROS	---	---	---	---	---	---	---	---	---	---	---	---
4	21700900	RODA DW-25"x26" 10 FUROS	---	---	---	---	---	---	---	---	---	---	---	---
4	23704900	RODA DW 20 x 26" 10 FUROS	2	2	---	---	---	---	---	---	---	---	---	---
5	23701000	TIRANTE DIREITO	1	1	---	---	---	---	---	---	---	---	---	---
6	23701200	TIRANTE ESQUERDO	1	1	---	---	---	---	---	---	---	---	---	---
7	23704200	CUBO RODADO 10 FUROS ESQUERDO	1	1	---	---	---	---	---	---	---	---	---	---
8	23704400	CUBO RODADO 10 FUROS DIREITO	1	1	---	---	---	---	---	---	---	---	---	---
9	23704700	RODA DW-16"Ax30" - 10 FUROS	2	2	---	---	---	---	---	---	---	---	---	---
9	23704900	RODA DW 20 x 26" 10 FUROS	---	---	---	---	---	---	---	---	---	---	---	---
10	60178597	PARAF. CAB. SEXT. M20X1.5X210 DIN 960 8.8 ZB	---	---	---	---	---	---	---	---	---	---	---	---
10	60178599	PARAF. CAB. SEXT. M20X1.5X190 DIN 960 8.8 ZB	2	2	---	---	---	---	---	---	---	---	---	---
11	61411812	PORCA AUTO FREN. ALTA M20X1.5 DIN 982 ZB	2	2	---	---	---	---	---	---	---	---	---	---
12	61642011	PORCA DE RODA M22X1.5 10.9 FOSF.	40	40	---	---	---	---	---	---	---	---	---	---
13	62010220	ARRUELA LISA A 21 DIN 9021 ZB	4	4	---	---	---	---	---	---	---	---	---	---
14	73010926	PNEU AGRICOLA 18.4-30 TM 95 12 LONAS	2	2	---	---	---	---	---	---	---	---	---	---
14	73010945	PNEU AGRICOLA 23.1-26 MB 39 14 LONAS (OP)	---	---	---	---	---	---	---	---	---	---	---	---
15	73010935	PNEU AGRICOLA 24.5-32 TM 95 12 LONAS	---	---	---	---	---	---	---	---	---	---	---	---
15	73010963	PNEU AGRICOLA 28.1-26 MB 39-14 LONAS (OP)	---	---	---	---	---	---	---	---	---	---	---	---
15	73010926	PNEU AGRICOLA 18.4-30 TM 95 12 LONAS (OP)	2	2	---	---	---	---	---	---	---	---	---	---
16	73020222	CAMARA 18.4-30 (30T940)	2	2	---	---	---	---	---	---	---	---	---	---
17	73020238	CAMARA 24.5-32 (32T1230)	---	---	---	---	---	---	---	---	---	---	---	---
18	73030201	VALVULA TR 415	2	2	---	---	---	---	---	---	---	---	---	---



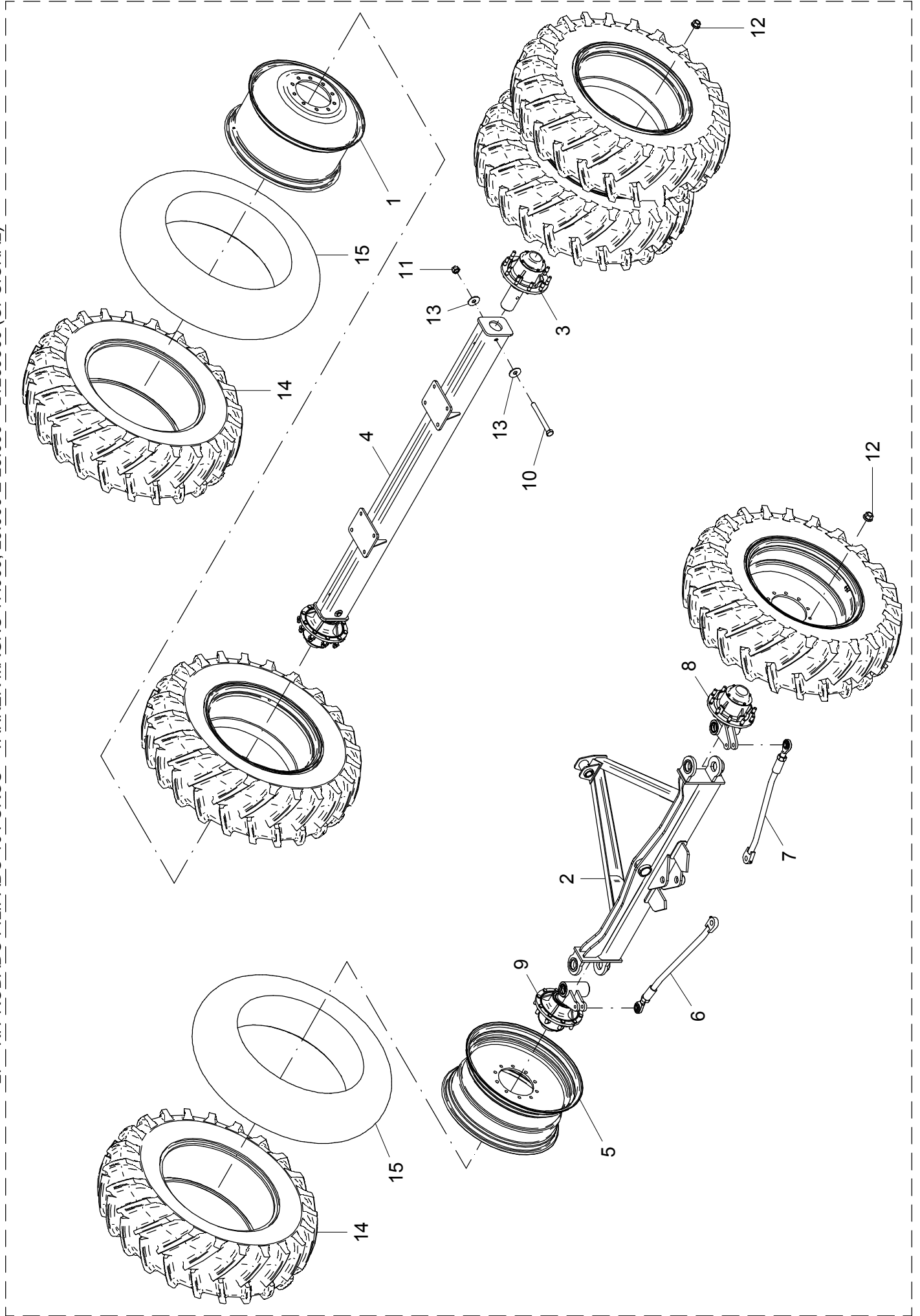
25 – KIT RODADO 10 FUROS – TANKER MAGNU 17.000, 20.000 E 25.000

POS.	CÓDIGO	DENOMINAÇÃO	QUANTIDADE														
			21258700			21250700			21259400			21259500			24600500		
			17.000	20.000	25.000	17.000	20.000	25.000	17.000	20.000	25.000	17.000	20.000	25.000	17.000	20.000	25.000
1	21113600	EIXO DIANTEIRO		1	1										1		
2	21218000	CUBO RODADO 10 FUROS		2	2										2		
3	21258800	EIXO TRASEIRO		1	1												
3	21259600	EIXO TRASEIRO													1		
3	21218100	EIXO TRASEIRO (OP)														1	
4	21700900	RODA DW-25"x26" 10 FUROS		2	2												
4	21700800	RODA DW - 21 x 32" 10 FUROS													2		
4	21233400	RODA DW/27 x 32"															
5	23704200	CUBO RODADO 10 FUROS ESQUERDO		1	1										1		
6	23704400	CUBO RODADO 10 FUROS DIREITO		1	1										1		
7	23704900	RODA DW 20 x 26" 10 FUROS		2	2										2		
7	23704700	RODA DW-16"Ax30" - 10 FUROS															
7	21700700	RODA DW-20"Ax30" - 10 FUROS													2		
8	23705300	TIRANTE DIREITO		1	1										1		
9	23705500	TIRANTE ESQUERDO		1	1										1		
10	60178599	PARAF.CAB.SEXT.M20X1.5X190 DIN 960 8.8ZB		2	2												
10	60178597	PARAF.CAB.SEXT.M20X1.5X210 DIN 960 8.8ZB													2		
11	61411812	PORCA AUTO FREN.ALTA M20X1.5 DIN 982 ZB		2	2										2		
12	61642011	PORCA DE RODA M22X1.5 10.9 FOSF.		40	40										40		
13	62010220	ARRUELA LISA A 21 DIN 9021 ZB		4	4										4		
14	73010945	PNEU AGRICOLA 23.1-26 MB 39 14 LONAS		2	2										2		
14	73010926	PNEU AGRICOLA 18.4-30 TM 95 12 LONAS (OP)															
14	73010933	PNEU AGRICOLA 23.1-30 TM 95 12 LONAS (OP)													2		
15	73010963	PNEU AGRICOLA 28.1-26 MB39-14 LONAS		2	2												
15	73010935	PNEU AGRICOLA 24.5-32 TM 95 12 LONAS (OP)															
15	73010979	PNEU AGRICOLA 30.5 L-32 MB39-14 LONAS (OP)													2		
16	73020222	CAMARA 18.4-30 (30T940)															
17	73020236	CAMARA 23.1-30 (30T1230)													2		
17	73020238	CAMARA 24.5-32 (32T1230) (OP)															
18	73030201	VALVULA TR 415		4	4										2		
18	73030601	VALVULA TR-618-A															

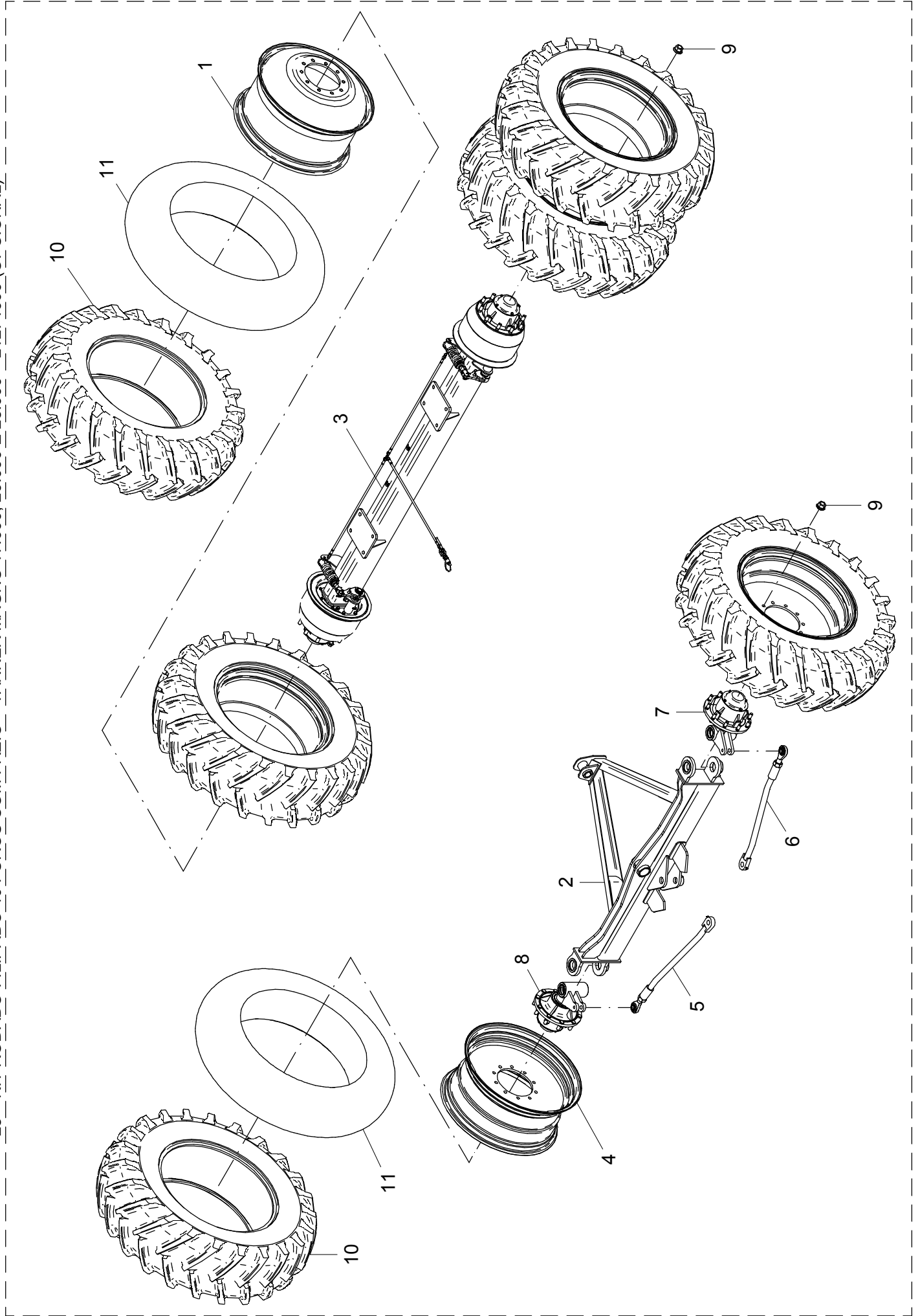


26 – KIT RODADO COM FREIO 10 FUIROS – TANKER MAGNU 17.000, 20.000 E 25.000 (OPCIONAL)

POS.	CÓDIGO	DENOMINAÇÃO	QUANTIDADE														
			21242200				21241700				21259000						
			17.000	20.000	25.000	17.000	20.000	25.000	17.000	20.000	25.000	17.000	20.000	25.000			
1	21113600	EIXO DIANTEIRO (BITOLA 2800)	1	1	---	---	---	---	---	---	---	---	1	---	---	---	1
1	21113500	EIXO DIANTEIRO (BITOLA 2550)	---	---	---	1	---	---	---	---	---	---	---	---	---	---	---
2	21222000	EIXO TRASEIRO COM FREIO 10 FUIROS (BITOLA 2800) (OP)	1	1	---	---	---	---	---	---	---	---	---	---	---	---	---
2	21215200	EIXO TRASEIRO COM FREIO (BITOLA 2550)	---	---	---	1	---	---	---	---	---	---	---	---	---	---	---
2	21259100	EIXO TRASEIRO COM FREIO 10 FUIROS (BITOLA 2800) (OP)	---	---	---	---	---	---	---	---	---	---	---	---	---	---	1
3	23704200	CUBO RODADO 10 FUIROS ESQUERDO	1	1	---	1	---	---	---	---	---	---	1	---	---	---	1
4	23704400	CUBO RODADO 10 FUIROS DIREITO	1	1	---	1	---	---	---	---	---	---	1	---	---	---	1
5	23704700	RODA DW-16"X30" - 10 FUIROS	2	2	---	2	---	---	---	---	---	---	2	---	---	---	---
5	23704900	RODA DW 20 x 26" 10 FUIROS	2	2	---	2	---	---	---	---	---	---	2	---	---	---	2
6	23704900	RODA DW 20 x 26" 10 FUIROS	2	2	---	2	---	---	---	---	---	---	2	---	---	---	---
6	21700900	RODA DW-25"x26" 10 FUIROS	---	---	---	---	---	---	---	---	---	---	---	---	---	---	2
7	23705300	TIRANTE DIREITO	1	1	---	---	---	---	---	---	---	---	1	---	---	---	1
7	23701000	TIRANTE DIREITO	---	---	---	---	---	---	---	---	---	---	---	---	---	---	---
8	23705500	TIRANTE ESQUERDO	1	1	---	---	---	---	---	---	---	---	---	---	---	---	1
8	23701200	TIRANTE ESQUERDO	---	---	---	---	---	---	---	---	---	---	---	---	---	---	---
9	61642011	PORCA DE RODA M22X1.5 10.9 FOSF.	40	40	---	40	---	---	40	---	---	---	40	---	---	---	40
10	73010926	PNEU AGRICOLA 18.4-30 TM 95 12 LONAS	2	2	---	2	---	---	2	---	---	---	2	---	---	---	---
10	73010945	PNEU AGRICOLA 23.1-26 MB 39 14 LONAS	2	2	---	2	---	---	2	---	---	---	2	---	---	---	2
11	73010945	PNEU AGRICOLA 23.1-26 MB 39 14 LONAS	2	2	---	2	---	---	2	---	---	---	2	---	---	---	---
11	73010963	PNEU AGRICOLA 28.1-26 MB 39-14 LONAS (OP)	---	---	---	---	---	---	---	---	---	---	---	---	---	---	2
12	73020222	CAMARA 18.4-30 (30T940)	2	2	---	2	---	---	2	---	---	---	2	---	---	---	---
13	73030201	VALVULA TR 415	2	2	---	2	---	---	2	---	---	---	2	---	---	---	4

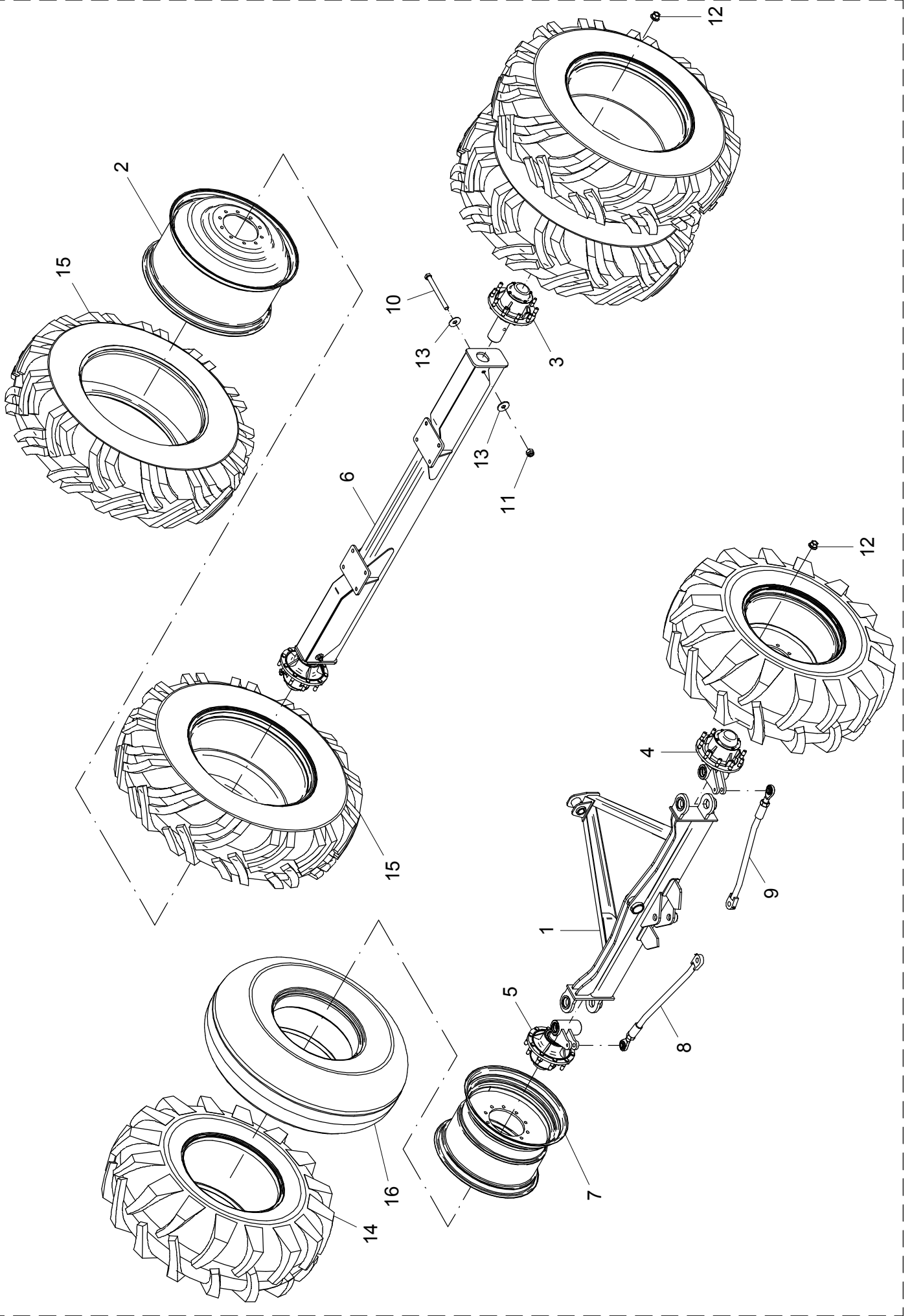




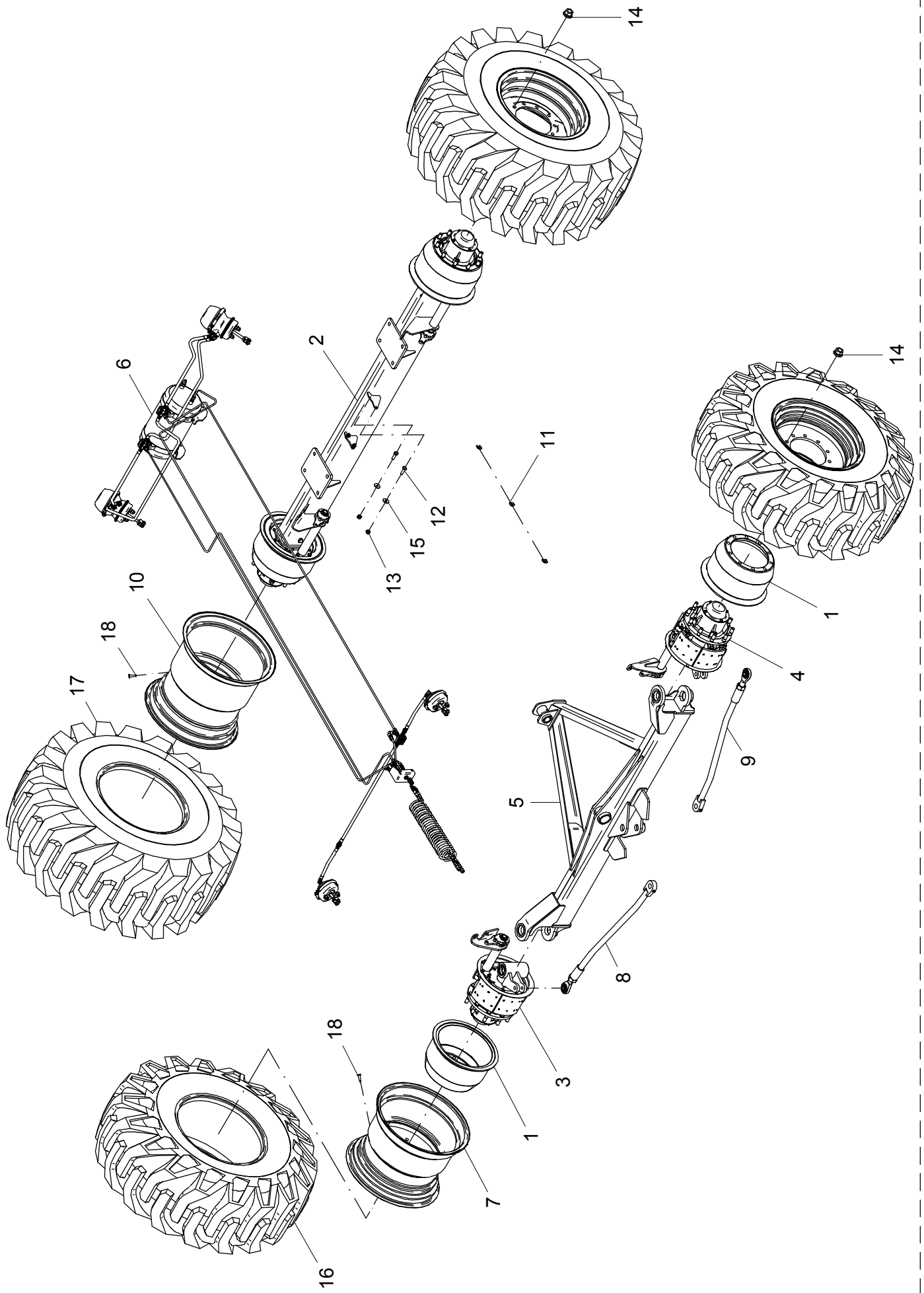


28 - KIT RODADO FILIPADO 10 FUROS COM FREIO - TANKER MAGNU 17.000, 20.000 E 25.000 - 21274000 (OPCIONAL)				
POS.	CÓDIGO	DENOMINAÇÃO	QTDE.	QTDE.
1	20901800	RODA DW16" x 34" P/ FILIPADO	4	
2	21113500	EIXO DIANTEIRO	1	
3	21274100	EIXO COM FREIO 10 FUROS RODADO FILIPADO	1	
4	21701800	RODA DW16"-34"	2	
5	23701000	TIRANTE DIREITO	1	
6	23701200	TIRANTE ESQUERDO	1	
7	23704200	CUBO RODADO 10 FUROS ESQUERDO	1	
8	23704400	CUBO RODADO 10 FUROS DIREITO	1	
9	61642011	PORCA DE RODA M22X1.5 10.9 FOSF.	40	
10	73010957	PNEU AGRICOLA 18.4-34 TM95-12 LONAS	6	
11	73020234	CAMARA 18.4-34 (34T995)	6	

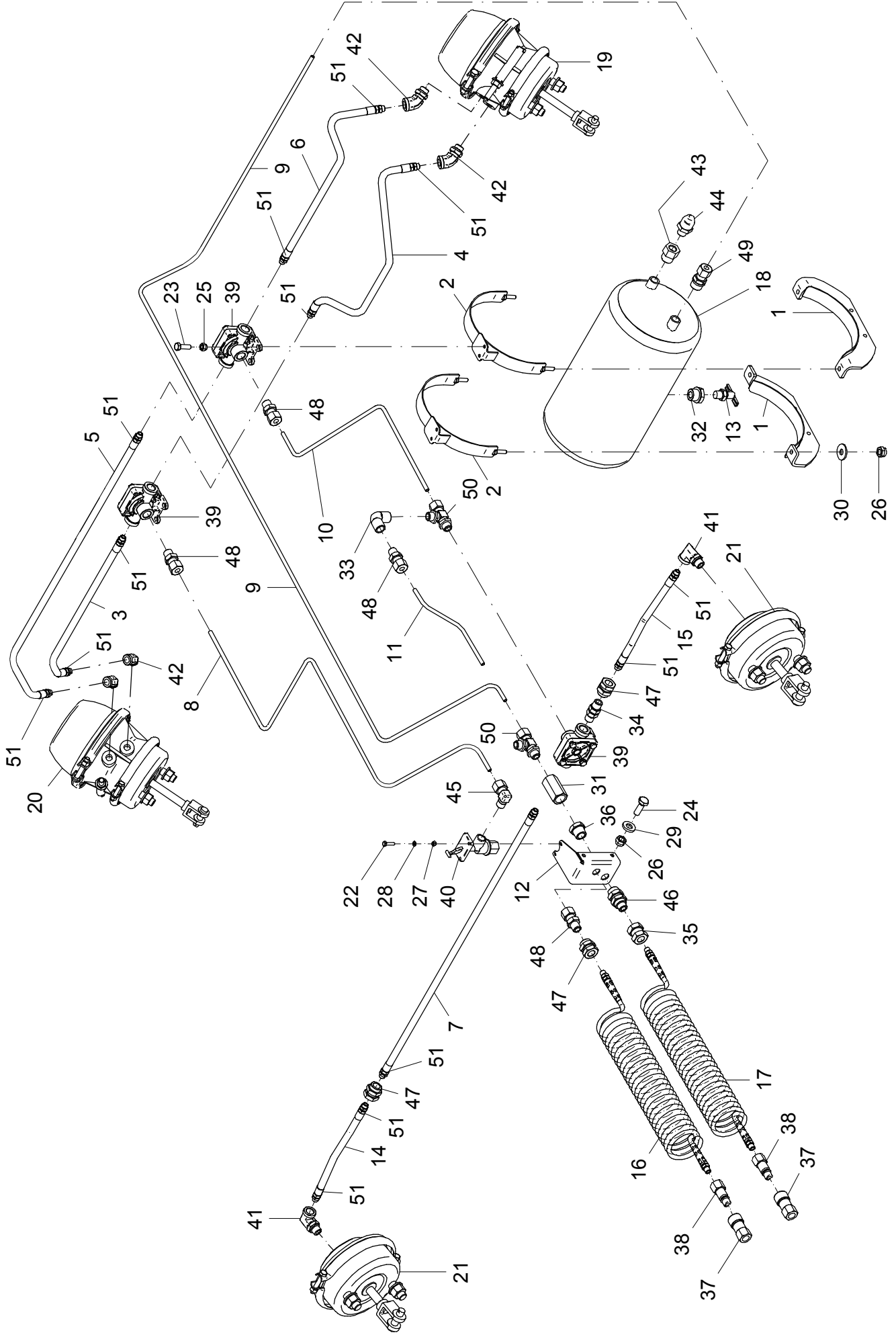
28 - KIT RODADO FILIPADO 10 FUROS COM FREIO - TANKER MAGNU 17.000, 20.000 E 25.000 - 21274000 (OPCIONAL)				
POS.	CÓDIGO	DENOMINAÇÃO	QTDE.	QTDE.





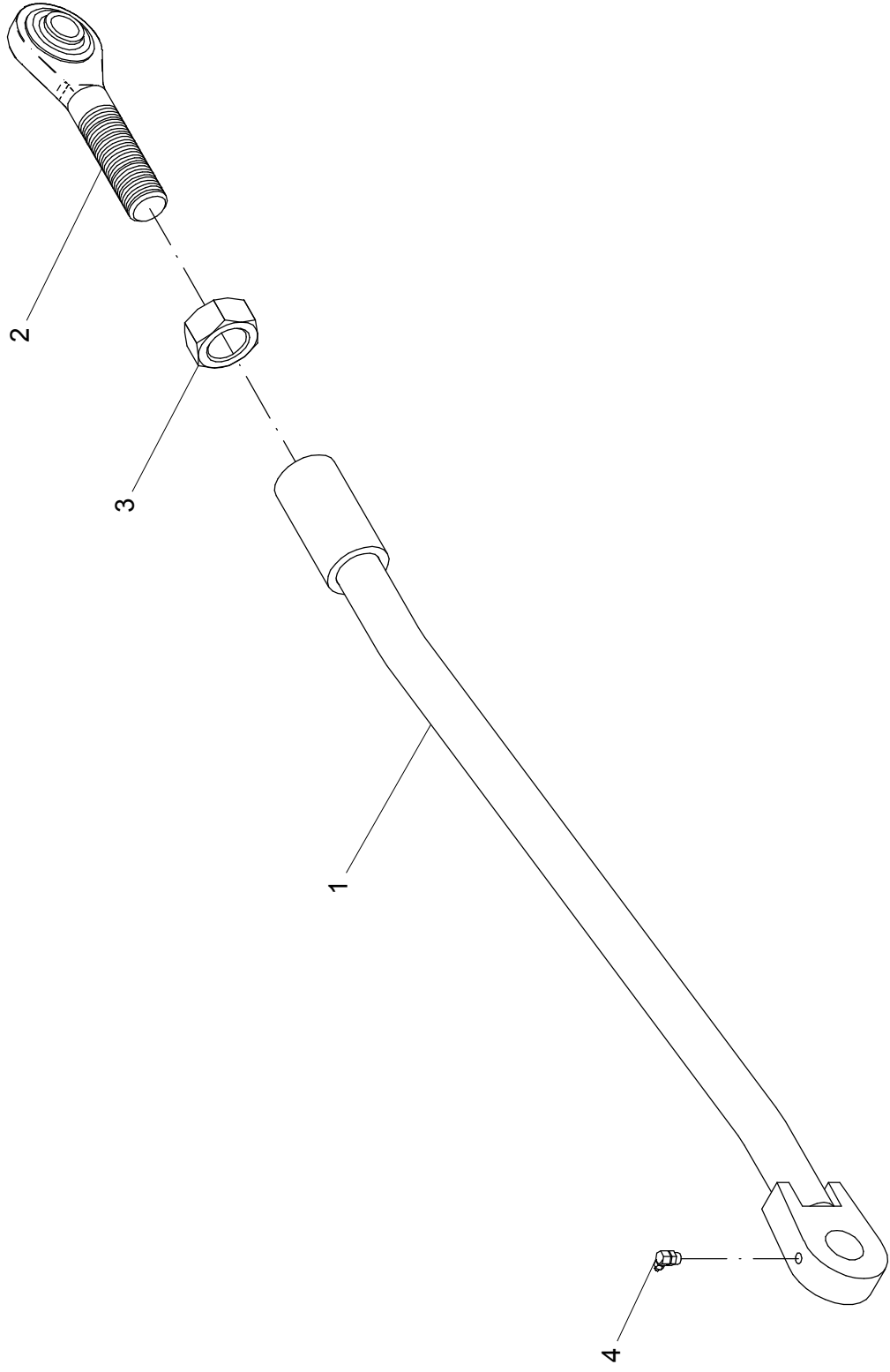






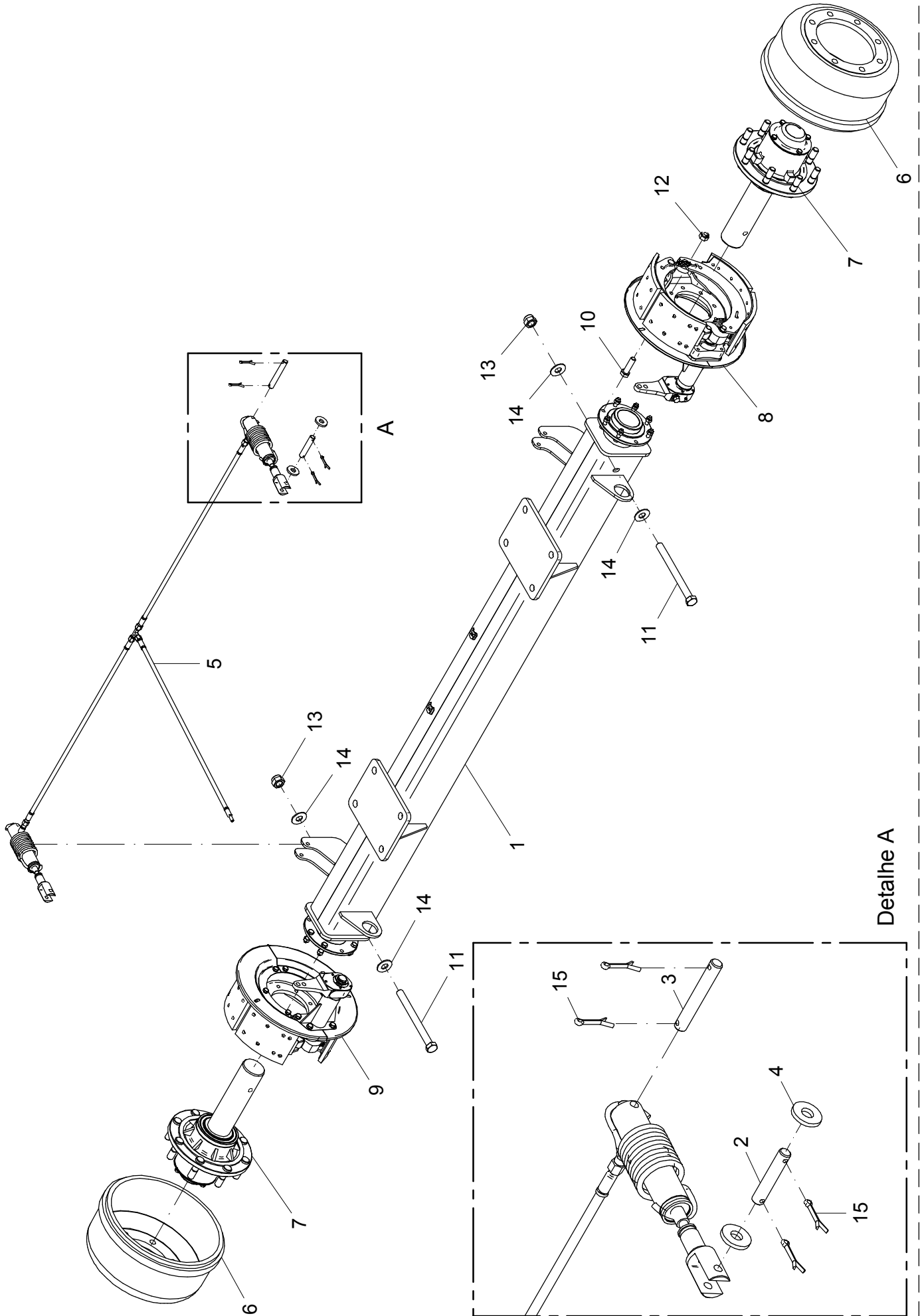
31 – CIRCUITO PNEUMÁTICO EXPORTAÇÃO – TANKER MAGNU 25.000 INOX – 21264000 (OPCIONAL)				
POS.	CÓDIGO	DENOMINAÇÃO	QTDE.	
1	21263700	APOIO DO TAMBOR DE AR	2	
2	21263800	CINTA	2	
3	21264001	MANGUEIRA PNEUMÁTICA SAE J1402 3/8" A 700mm	1	
4	21264002	MANGUEIRA PNEUMÁTICA SAE J1402 3/8" A 1000mm	1	
5	21264003	MANGUEIRA PNEUMÁTICA SAE J1402 3/8" A 1000mm	1	
6	21264004	MANGUEIRA PNEUMÁTICA SAE J1402 3/8" A 700mm	1	
7	21264005	MANGUEIRA PNEUMÁTICA SAE J1402 3/8" A 1000mm	1	
8	21264007	TUBO FLEX NYLON PA-10 (4700mm)	1	
9	21264008	TUBO FLEX. NYLON PA-10 (4450mm)	1	
10	21264012	TUBO FLEX. NYLON PA-10 (4200mm)	1	
11	21264013	TUBO FLEX. NYLON PA-10 (400mm)	1	
12	21264016	SUPORTE	1	
13	21264020	TORNEIRA DRENO BORBOLETA 1/4 NPT	1	
14	21264021	MANGUEIRA PNEUMÁTICA SAE J1402 3/8" A 800mm	1	
15	21264022	MANGUEIRA PNEUMÁTICA SAE J1402 3/8" A 800mm	1	
16	21265200	ESPIRAL DE FREIO A AR 80 6,5 M16x1,5 MACHO AMARELO	1	
17	21265300	ESPIRAL DE FREIO A AR 80 6,5 M16x1,5 MACHO VERMELHO	1	
18	28025100	TANQUE DE AR (ZURLO) 30L	1	
19	28230300	CAMARA AR DUPLA 20X30-FREIOCAR 210003035 DIREITA	1	
20	28230400	CAMARA AR DUPLA 20X30-FREIOCAR 210003037 ESQ.	1	
21	28230500	CAMARA AR SIMPLES 20-FREIOCAR 210001013	2	
22	60116854	PARAF. CAB. SEXT. M5X0,8X20 DIN 933 ZB	1	
23	60177258	PARAF. CAB. SEXT. M8X1,25X25 DIN 933 8.8 ZB	2	
24	60177462	PARAF. CAB. SEXT. M10X1,5X30 DIN 933 8.8 ZB	2	
25	61410610	PORCA AUTO FREN. ALTA M8X1,25 DIN 982 ZB	2	
26	61430810	PORCA AUTO FREN. ALTA M10X1,5 DIN 982 ZB	8	
27	61510210	PORCA AUTO FREN. BAIXA M5X0,8 DIN 985 ZB	1	
28	62020202	ARRUELA LISA A 5 DIN 126 ZB	1	
29	62020712	ARRUELA LISA A 13 DIN 126 INOX	2	
30	62030710	ARRUELA LISA Ø10,5XØ30X2,5 INOX	4	
31	72010104	VALVULA DE RETENÇÃO PNEUMÁTICA 1/2 NPT FEMEA	1	
32	72020001	REDUCAO 1/4 NPT X M22x1,5	1	

31 – CIRCUITO PNEUMÁTICO EXPORTAÇÃO – TANKER MAGNU 25.000 INOX – 21264000 (OPCIONAL)				
POS.	CÓDIGO	DENOMINAÇÃO	QTDE.	
33	72022011	JOELHO FEMEA M16x1,5 (SBU - 6008)	1	
34	72022104	NIPLÉ ORIENTAVEL M16x1,5	1	
35	72023212	UNIAO FEMEA M16x1,5 (SBU - 6005)	1	
36	72023612	ADAPTADOR MACHO-FEMEA M16x1,5x1/2 NPT	1	
37	72034106	ENGATE RAP. FEMEA DYNAMICS ER-06 M16x1,5 ZINCADO	2	
38	72034107	ENGATE RAP. MACHO DYNAMICS ER-06 16x1,5	2	
39	72611312	VALVULA DESCARGA RAPIDA I94666 M16x1,5	3	
40	72611316	VALVULA TIC TAC ALAVANCA METAL	1	
41	72621403	JOELHO MACHO-FEMEA 90° ORIENT.M16x1,5	2	
42	72621404	JOELHO MACHO-FEMEA 45° ORIENT.M16x1,5	4	
43	72623607	REDUCAO M16x1,5 X M22x1,5 (SBU - 6037)	1	
44	72628011	TOMADA DE TESTE M16x1,5 (SBU - 2194)	1	
45	72631407	JOELHO MACHO ORIEN.PUSHPULL 10mm M16x1,5 (SBU)	1	
46	72633012	UNIAO ANTEPARO M16x1,5 x 1/2 NPT MACHO	1	
47	72633014	UNIAO ANTEPARO M16x1,5xM16x1,5 FEMEA	3	
48	72633015	UNIAO MACHO M16x1,5xTUBO 10mm (SBU-2104)	4	
49	72633016	UNIAO MACHO PUSH-PULL M22x1,5xTUBO 10mm (SBU)	1	
50	72633302	TE TUBO LAT PU 10mm X M16x1,5 C/PORCA-ANILHA (SBU)	2	
51	72676401	TERM. PRENS. MACHO GIR M16x1,5xMANG.3/8"	14	



32 - TIRANTE - DIREITO E ESQUERDO

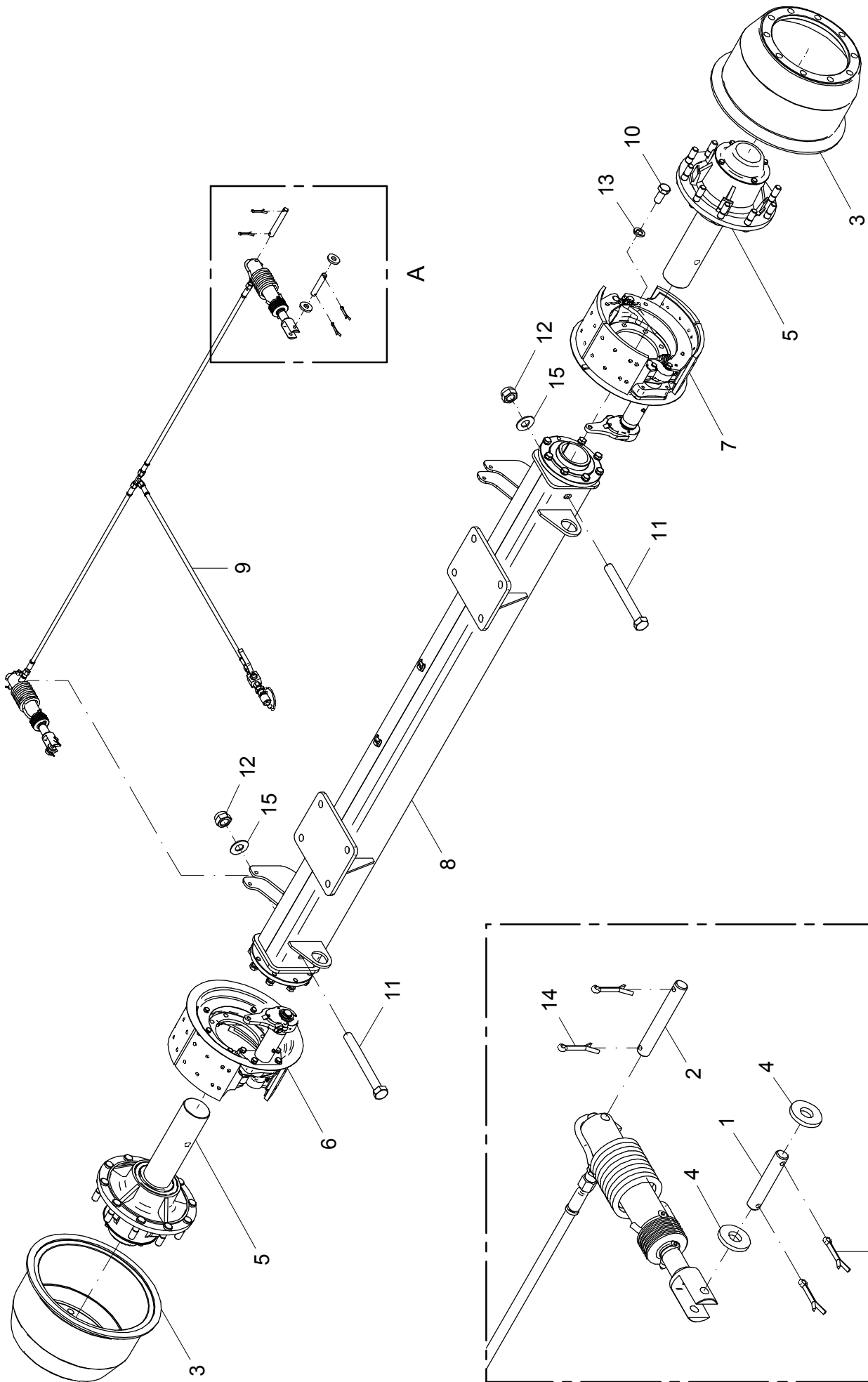
POS.	CÓDIGO	DENOMINAÇÃO	QUANTIDADE													
			21264400		21264500		23705300		23705500		23701000		23701200			
			DIREITO	ESQUERDO	DIREITO	ESQUERDO	DIREITO	ESQUERDO	DIREITO	ESQUERDO	DIREITO	ESQUERDO	DIREITO	ESQUERDO		
1	21264600	TIRANTE	1													
1	21264700	TIRANTE		1												
1	23705400	TIRANTE			1											
1	23705600	TIRANTE					1									
1	23701100	TIRANTE								1						
1	23701300	TIRANTE														1
2	40120301	035 808 N1-CJ. ROTULA	1	1						1					1	1
3	61113010	PORCA SEXTAVADA M36X3 DIN 934 ZB	1	1						1					1	1
4	65070402	GRAXEIRA M10 X 1 90°	1	1						1					1	1



Detalhe A

33 - EIXO TRASEIRO COM FREIO 08 FUROS

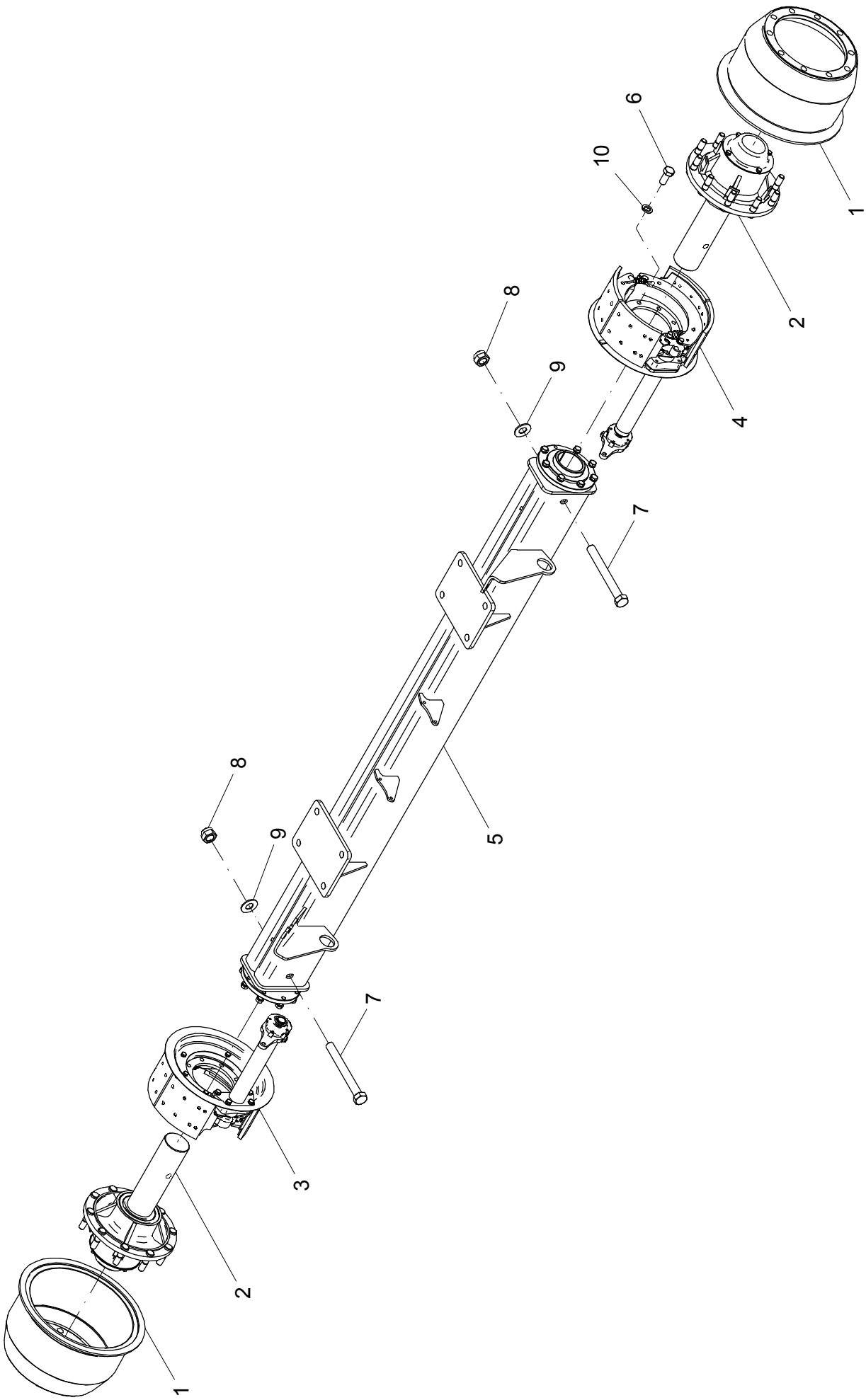
POS.	CÓDIGO	DENOMINAÇÃO	QUANTIDADE	
			NORMAL	FILIPADO
			21101900	21274400
1	21102000	EIXO TRASEIRO	1	---
1	21274800	EIXO TRASEIRO 8F FILIPADO	---	1
2	21213701	PINO	2	2
3	21213702	PINO	2	2
4	21213704	ARRUELA 30x12,5x4 INOX	4	4
5	21222300	SISTEMA HIDRAULICO	1	1
6	26226101	TAMBOR	2	2
7	26226500	CUBO RODADO	2	---
7	21275000	CUBO RODADO 8F FILIPADO	---	2
8	26226600	FREIO DIREITO	1	1
9	26226700	FREIO ESQUERDO	1	1
10	60117668	PARAF.CAB.SEXT.M12X1.75X45 DIN 933 ZB	14	14
11	60178098	PARAF.CAB.SEXT.M16X2X180 DIN 931 8.8 ZB	2	2
12	61411010	PORCA AUTO FREN.ALTA M12X1.75 DIN 982 ZB	14	14
13	61431410	PORCA AUTO FREN.ALTA M16X2 DIN 982 8. ZB	2	2
14	62030716	ARRUELA LISA Ø17XØ38X2.5 INOX	4	4
15	63141418	CONTRAPINO Ø 4 X 30 DIN 94 ZB	8	8
16	86250001	ABRACADEIRA KSS CV-150	2	2



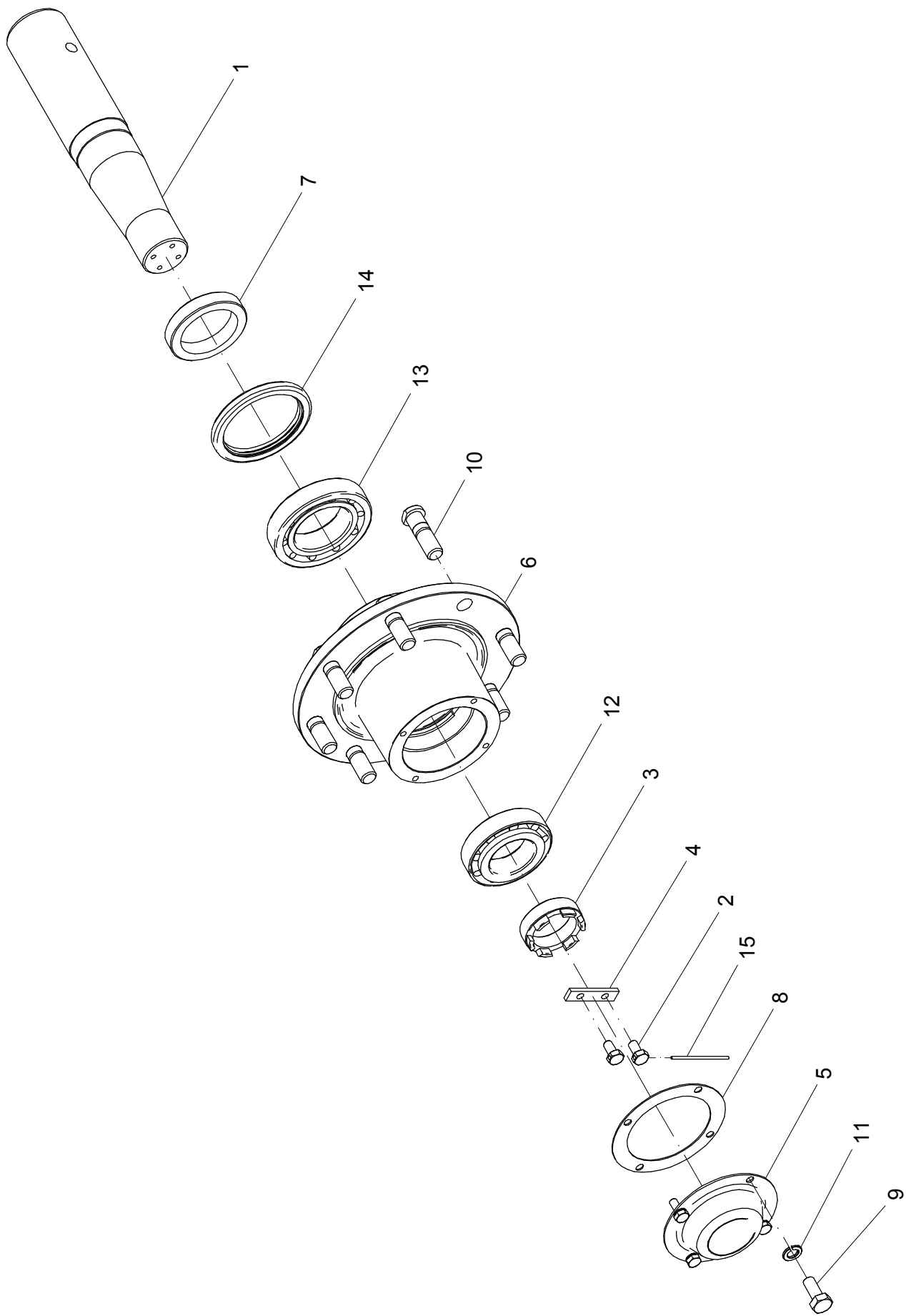
Detalhe A

34 - EIXO TRASEIRO COM FREIO 10 FUROS

POS.	CÓDIGO	DENOMINAÇÃO	QUANTIDADE		
			NORMAL	NORMAL	FILIPADO
			21222000	21259100	21274100
1	21213701	PINO	2	2	2
2	21213702	PINO	2	2	2
3	21213703	TAMBOR	2	2	2
4	21213704	ARRUELA 30x12,5x4 INOX	4	4	4
5	21214100	CUBO RODADO 10 FUROS	2	2	---
5	21274200	CUBO RODADO 10 FUROS FILIPADO	---	---	1
6	21215500	FREIO DIREITO	1	1	1
7	21215600	FREIO ESQUERDO	1	1	1
8	21222100	EIXO TRASEIRO	1	---	---
8	21259200	EIXO TRASEIRO	---	1	1
9	21222300	SISTEMA HIDRÁULICO	1	1	1
10	60178064	PARAFUSO CABEÇA SEXTAVADA M16X2X35 DIN 933 8.8 ZB	16	16	16
11	60178598	PARAFUSO CABEÇA SEXTAVADA M20X1.5X180 DIN 960 8.8 ZB	2	2	2
12	61411812	PORCA AUTO FRENANTE ALTA M20X1.5 DIN 982 ZB	2	2	2
13	62050514	ARRUELA DE PRESSAO B 16 DIN 127 ZB	16	16	16
14	63141418	CONTRAPINO Ø 4 X 30 DIN 94 ZB	8	8	8
15	62030720	ARRUELA LISA Ø21XØ44X2.5 INOX	---	2	2
16*	86250001	ABRACADEIRA KSS CV-150	2	2	2

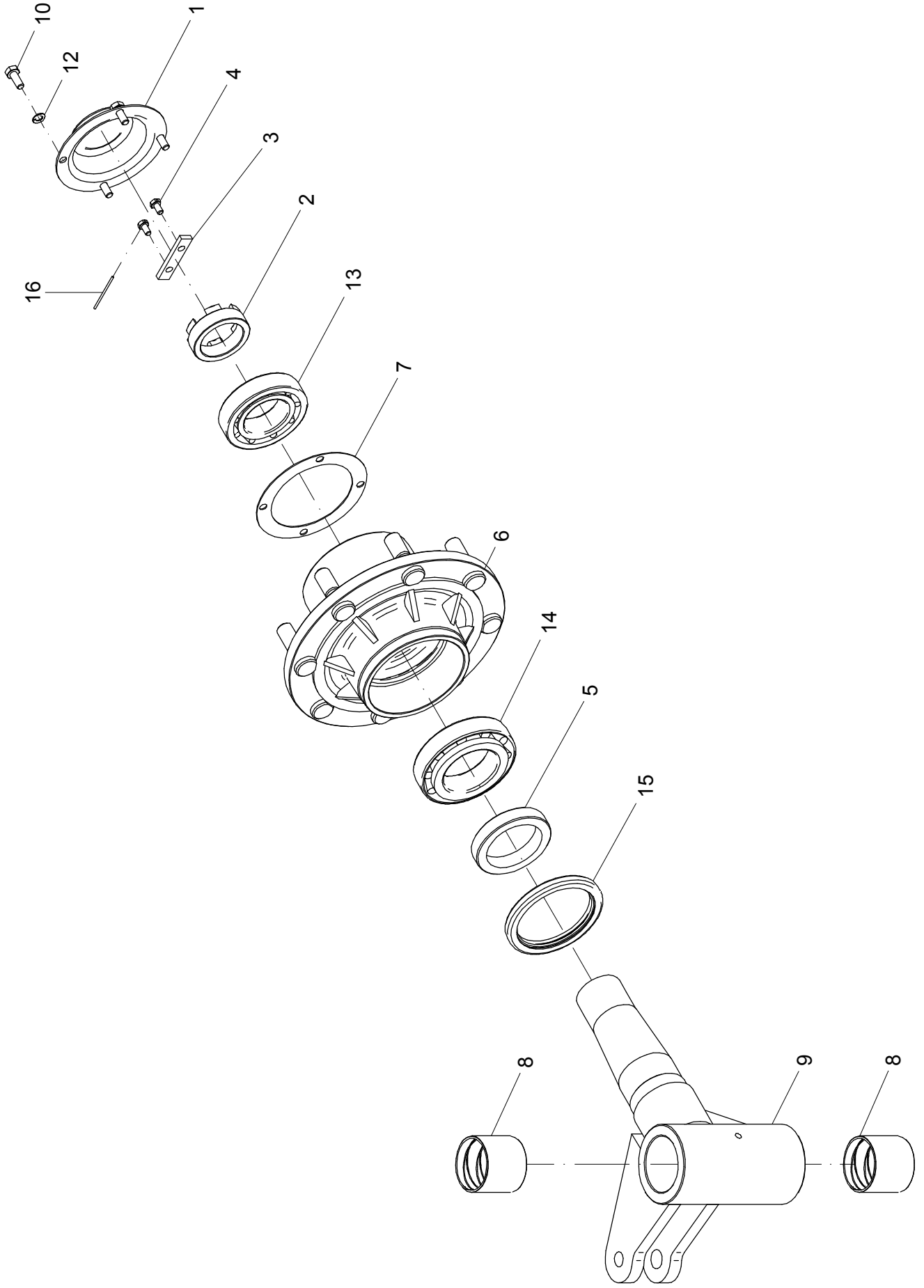




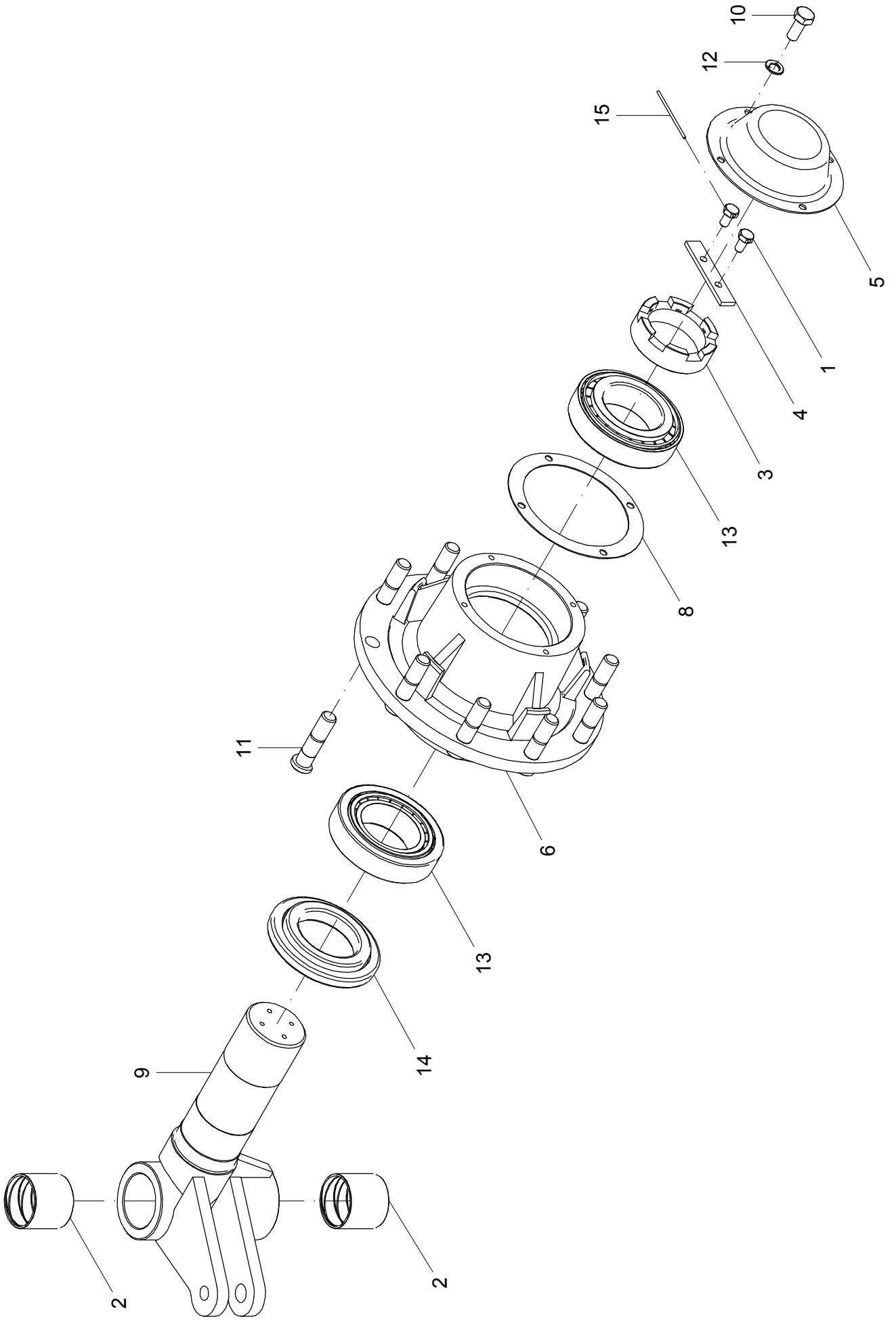


36 - CUBO RODADO TRASEIRO 08 E 10 FUROS

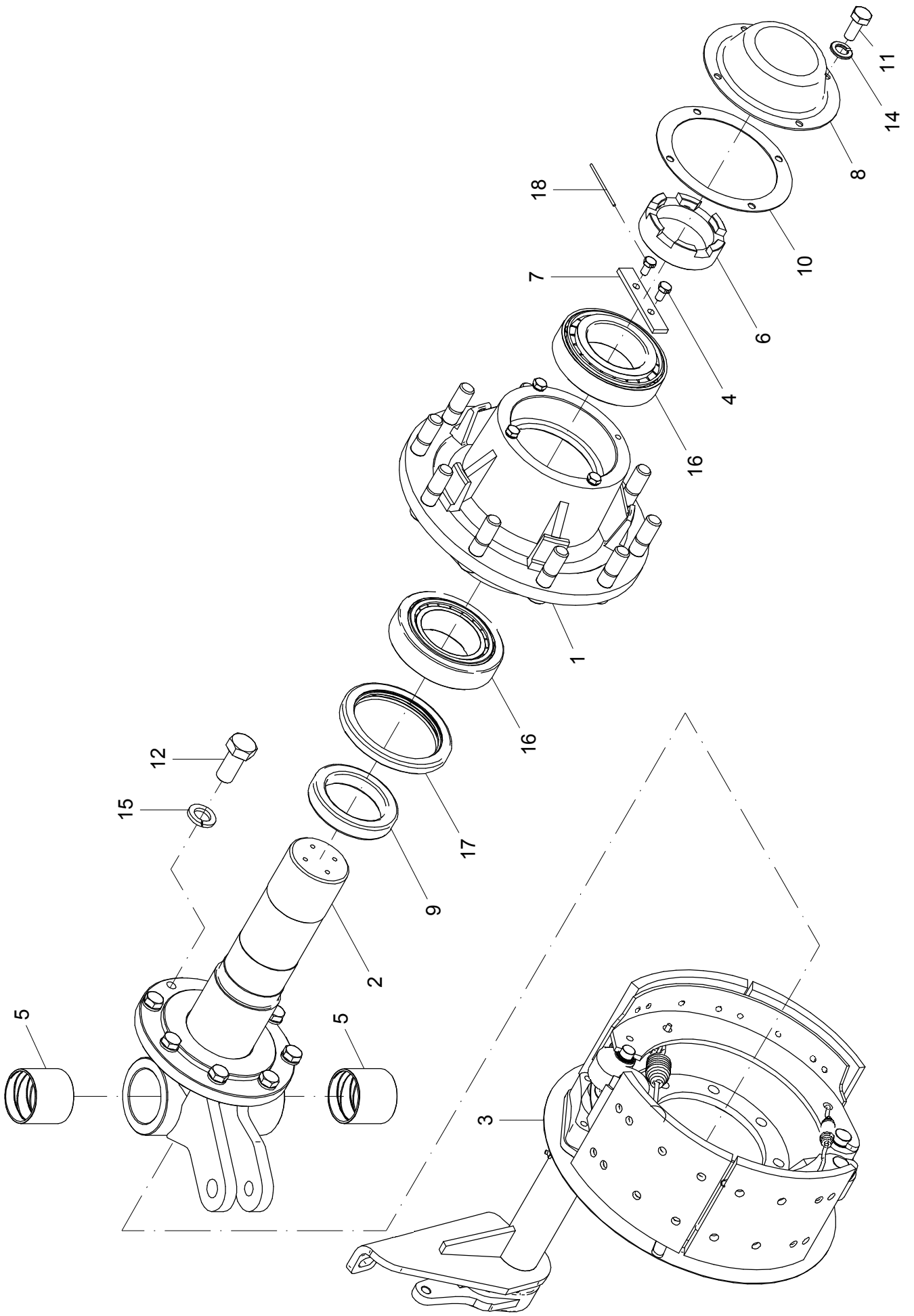
POS.	CÓDIGO	DENOMINAÇÃO	QUANTIDADE					
			08 FUROS	08 FUROS	10 FUROS	10 FUROS	10 FUROS	10 FUROS
			21414000	21274500	21218000	21241100		
1	21218001	EIXO	---	---	1	---	1	1
1	21414001	EIXO (CERCENA)	1	1	---	---	---	---
2	21408404	PARAFUSO CABEÇA SEXTAVADA M8X1.25X15 DIN 933	2	2	2	---	2	2
3	21408402	PORCA	1	1	---	---	---	---
3	23704001	PORCA	---	---	1	---	1	1
4	21408403	TRAVA	1	1	---	---	---	---
4	23704002	TRAVA	---	---	1	---	1	1
5	21408401	TAMPA	1	1	---	---	---	---
5	23704003	TAMPA	---	---	1	---	1	1
6	21408407	CUBO 08 FUROS	1	1	---	---	---	---
6	23704004	CUBO 10 FUROS	---	---	1	---	1	1
7	21408406	ANEL	1	1	---	---	---	---
7	23704005	ANEL	---	---	1	---	1	1
8	21408408	JUNTA	1	1	---	---	---	---
8	23704007	JUNTA	---	---	1	---	1	1
9	60117458	PARAFUSO CABEÇA SEXTAVADA M10X1.5X25 DIN 933 ZB	4	4	4	---	4	4
10	60588726	PARAFUSO DE RODA MB M22X1.5X70 PR 10.9 FOSF	8	---	---	---	10	---
10	60588730	PARAFUSO DE RODA MB M22X1.5X90 PR 10.9 FOSF	---	8	---	---	---	10
11	62050508	ARRUELA DE PRESSAO B 10 DIN 127 ZB	4	4	4	---	4	4
12	68055016	ROL. DE ROLOS CONICOS 32213 SL	1	1	---	---	---	---
12	68055017	ROL. DE ROLOS CONICOS 32216 SL	1	1	---	---	---	---
13	68055018	ROL. DE ROLOS CONICOS 32218 SL	---	---	2	---	2	2
14	69010135	RETENTOR (ZURLO COD. 12155)	---	---	1	---	1	1
14	69010401	RETENTOR 00516 BG SABO Ø110XØ140X13	1	1	---	---	---	---
15	86200001	ARAME N.12	0,070 Kg	0,070 Kg	0,070 Kg	---	0,070 Kg	0,070 Kg
16	88070008	GRAXA IPIFLEX 2	0,700 Kg	0,700 Kg	0,800 Kg	---	0,800 Kg	0,800 Kg



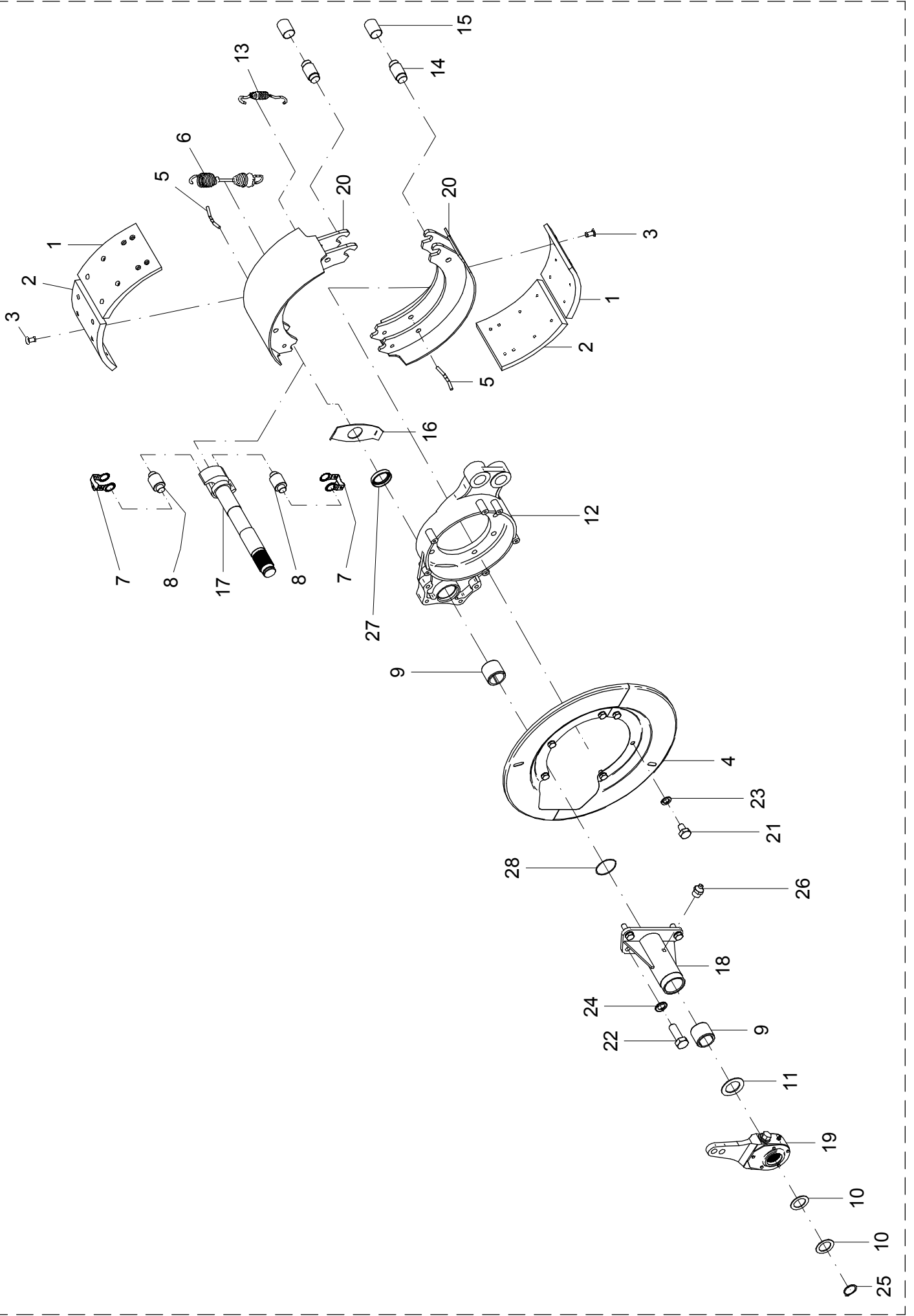






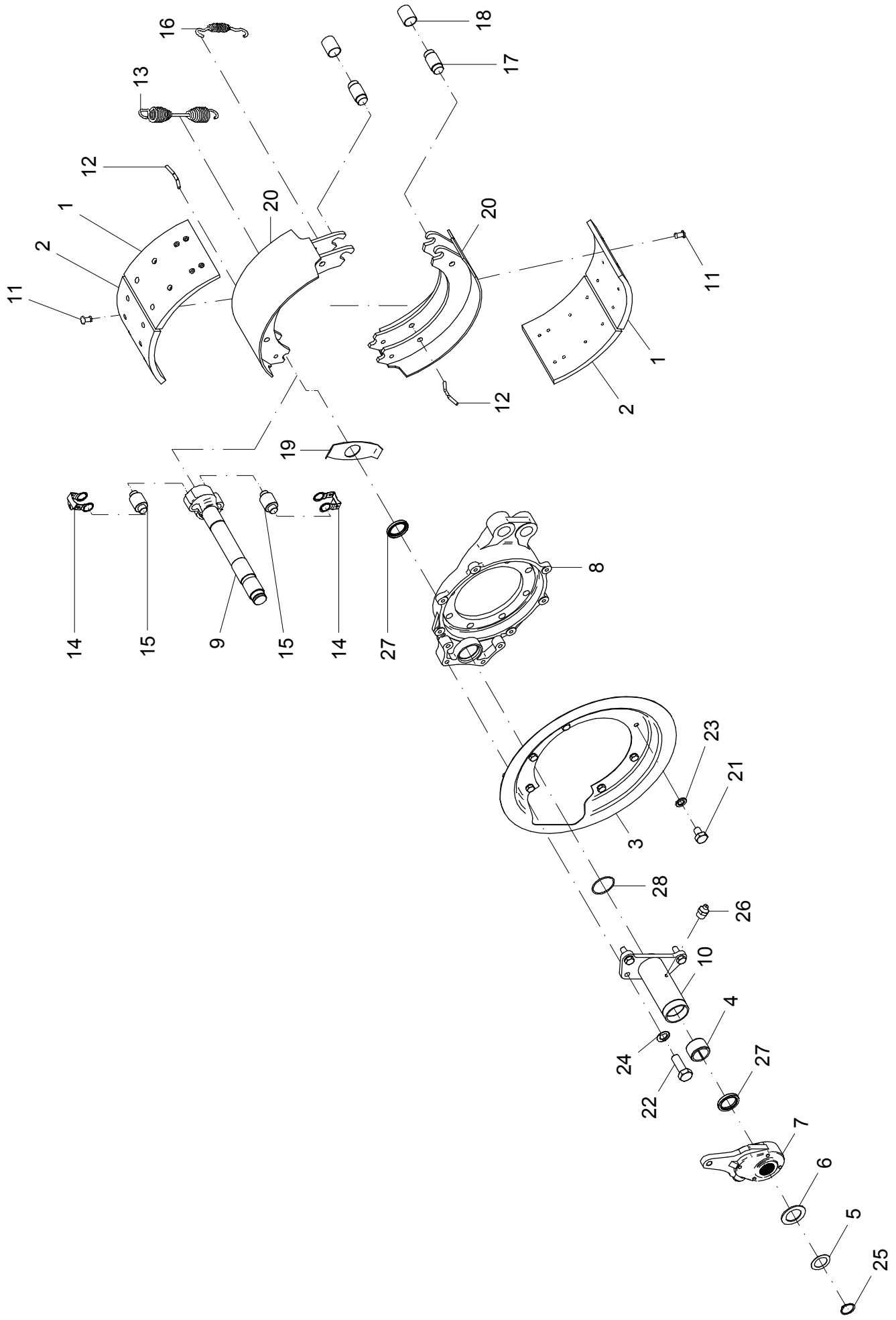






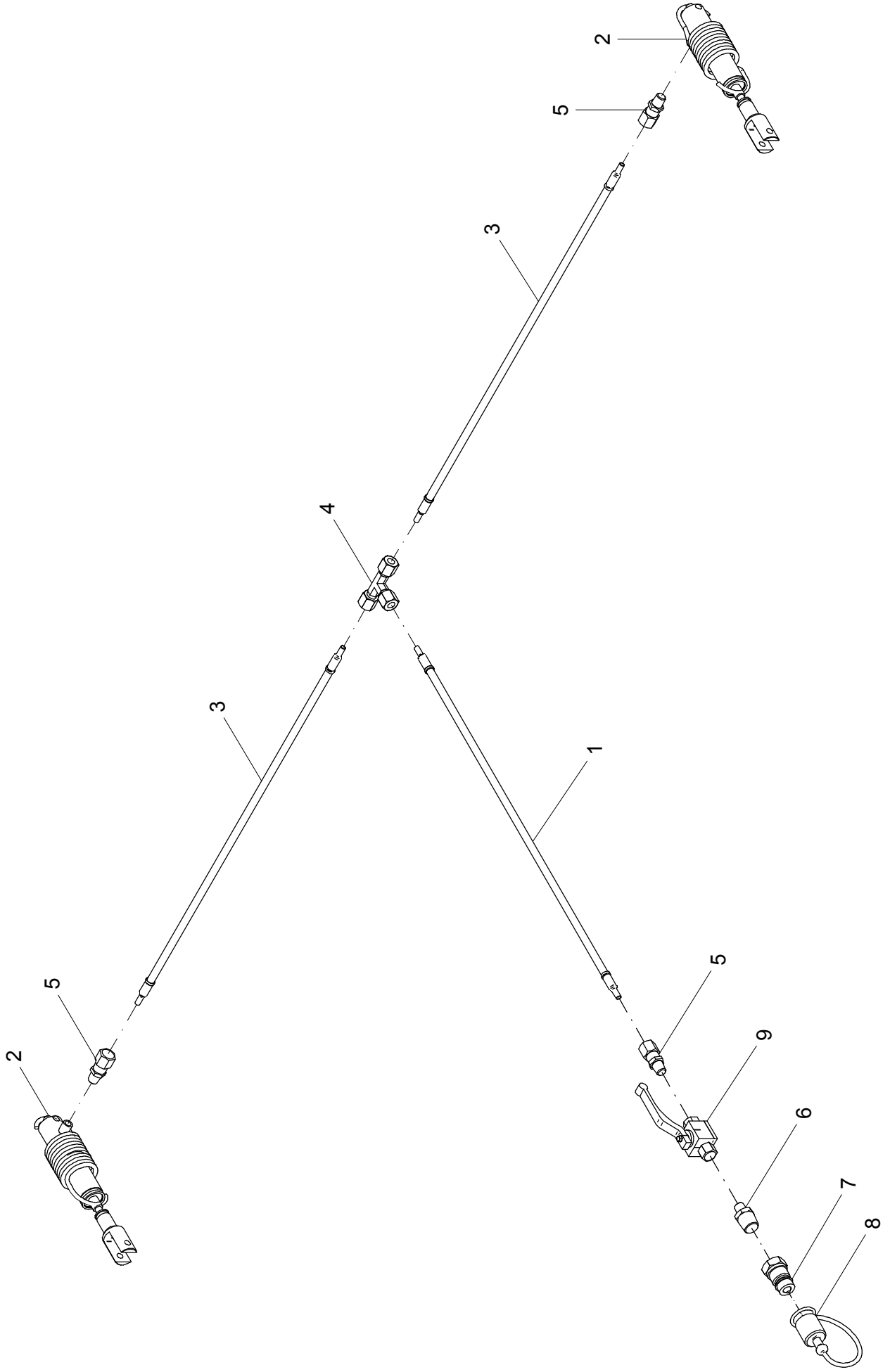
40 - FREIO DIREITO E ESQUERDO - 08 FUROS						
POS.	CÓDIGO	DENOMINAÇÃO	QUANTIDADE			
			DIREITO	ESQUERDO		
			26226600	26226700		
1	26226601	LONA	2	2		
2	26226602	LONA	2	2		
3	26226603	REBITE	32	32		
4	26226604	PROTETOR	1	1		
5	26226605	GRAMPO	2	2		
6	26226606	MOLA	1	1		
7	26226607	PRESILHA	2	2		
8	26226608	PINO	2	2		
9	26226610	BUCHA	2	2		
10	26226611	ARRUELA	2	2		
11	26226612	ARRUELA	1	1		
12	26226613	SUPORTE	1	1		
13	26226614	MOLA	1	1		
14	26226615	PINO	2	2		
15	26226616	BUCHA	2	2		
16	26226617	DISTANCIADOR	1	1		
17	26226609	EIXO "S" (DIREITO)	1	---		
17	26226701	EIXO "S" (ESQUERDO)	---	1		
18	26226800	MANGA	1	1		
19	26226900	CATRACA	1	1		
20	26227000	PATIM	2	2		
21	60117450	PARAF. CAB. SEXT. M10X1.5X15 DIN 933 ZB	6	6		
22	60177664	PARAF. CAB. SEXT. M12X1.75X35 DIN 933 8.8ZB	4	4		
23	62050508	ARRUELA DE PRESSAO B 10 DIN 127 ZB	6	6		
24	62050510	ARRUELA DE PRESSAO B 12 DIN 127 ZB	4	4		
25	64010115	ANEL ELASTICO E-32 DIN 471	1	1		
26	65070403	GRAXEIRA M10 X 1 RETA	1	1		
27	69010144	RETENTOR 00479 BRG SABO Ø38XØ52X10 (ARCA 5002)	1	1		
28	72066637	ANEL O RING 2-136 (PARKER)	1	1		

40 - FREIO DIREITO E ESQUERDO - 08 FUROS						
POS.	CÓDIGO	DENOMINAÇÃO	QUANTIDADE			
			DIREITO	ESQUERDO		
			26226600	26226700		



41 – FREIOS - DIREITO E ESQUERDO 10 FUROS				
POS.	CÓDIGO	DENOMINAÇÃO	QUANTIDADE	
			DIREITO	ESQUERDO
			21215500	21215600
1	21214201	LONA DE FREIO	2	2
2	21214202	LONA DE FREIO	2	2
3	21214204	PROTECTOR	1	1
4	21214210	BUCHA DE NYLON GRAFITADO	1	1
5	21214211	ARRUELA 47,5x32x1	1	1
6	21214212	ARRUELA 60x38,5x2,5	1	1
7	21214500	CATRACA	1	1
8	21214600	SUPORTE	1	1
9	21215501	EIXO "S" (DIREITO)	1	---
9	21215601	EIXO "S" (ESQUERDO)	---	1
10	21215700	SUPORTE DA CAMARA DE FREIO	1	1
11	26226603	REBITE	32	32
12	26226605	GRAMPO	2	2
13	26226606	MOLA	1	1
14	26226607	PRESILHA	2	2
15	26226608	PINO	2	2
16	26226614	MOLA	1	1
17	26226615	PINO	2	2
18	26226616	BUCHA	2	2
19	26226617	DISTANCIADOR	1	1
20	26227000	PATIM	2	2
21	60117450	PARAF. CAB. SEXT. M10X1,5X15 DIN 933 ZB	6	6
22	60177664	PARAF. CAB. SEXT. M12X1,75X35 DIN 933 8.8 ZB	4	4
23	62050508	ARRUELA DE PRESSAO B 10 DIN 127 ZB	6	6
24	62050510	ARRUELA DE PRESSAO B 12 DIN 127 ZB	4	4
25	64010115	ANEL ELASTICO E-32 DIN 471	1	1
26	65070403	GRAXEIRA M10 X 1 RETA	1	1
27	69010143	RETENTOR O2506 BR SABO Ø38XØ52.25X7 (ARCA 5009)	2	2
28	72066637	ANEL O RING 2-136 (PARKER)	1	1

41 – FREIOS - DIREITO E ESQUERDO 10 FUROS				
POS.	CÓDIGO	DENOMINAÇÃO	QUANTIDADE	
			DIREITO	ESQUERDO
			21215500	21215600

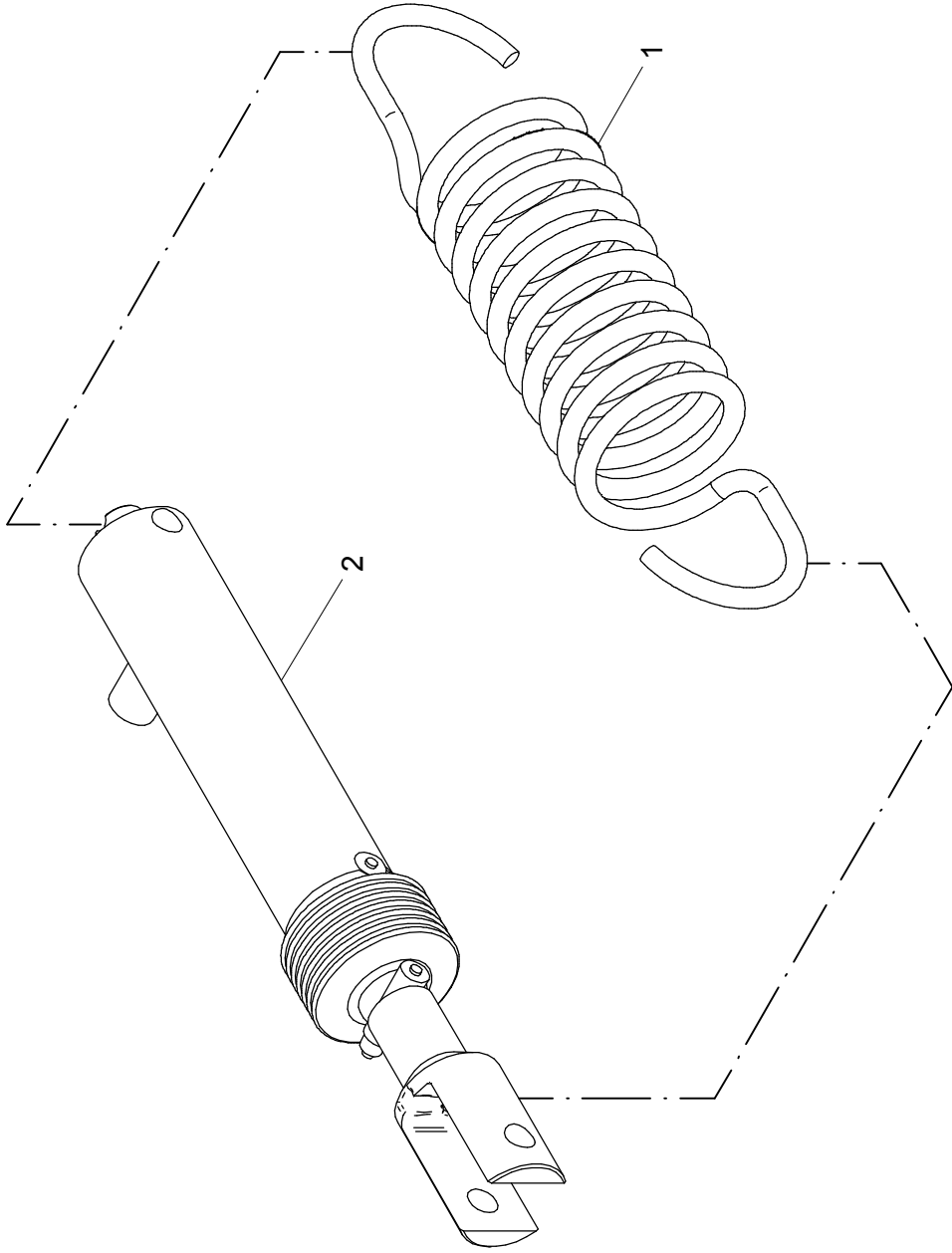


42 - SISTEMA HIDRÁULICO – 21222300

POS.	CÓDIGO	DENOMINAÇÃO	QTDE.

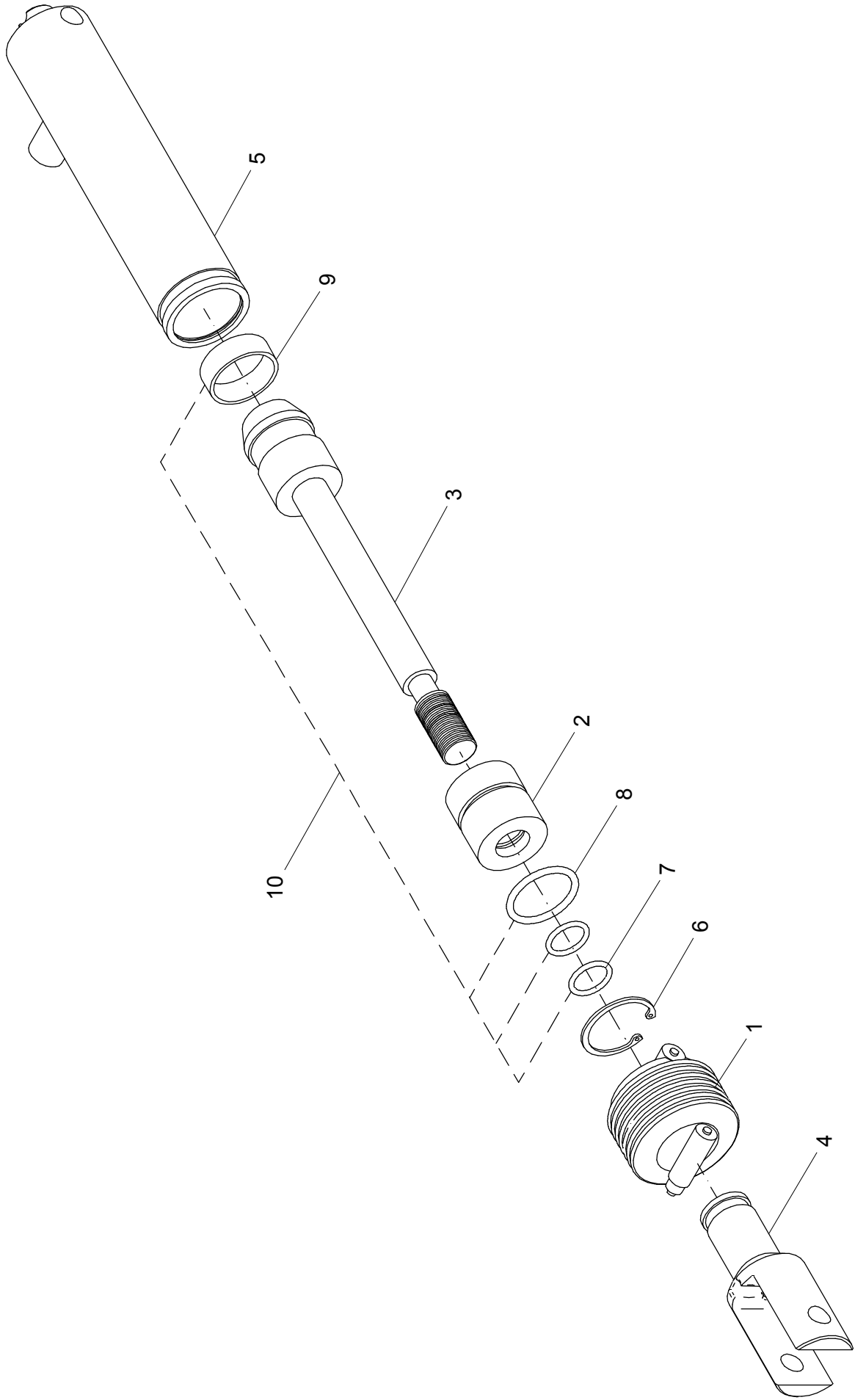
42 - SISTEMA HIDRÁULICO – 21222300

POS.	CÓDIGO	DENOMINAÇÃO	QTDE.
1	21214900	MANGUEIRA	1
2	21216500	CILINDRO DO FREIO	2
3	21222400	MANGUEIRA	2
4	72022702	TEE IGUAL TEI-10 (MERKANTIL)	1
5	72023005	UNIAO MACHO UNM 10X1/4"NPT (MERKANTIL)	3
6	72023501	ADAPT MACHO-MACHO 1/4"NPTX1/2"NPT	1
7	72034003	ENGATE RAP. MACHO ERM-AM 1/2" NPT C/ TAMPAO FEMEA	1
8	72068101	TAMPAO FEMEA 5657-10 (AEROQUIP)	1
9	72091102	VALVULA DE ESFERAS VEFA 1/4" NPT-AD	1



43 - CILINDRO DO FREIO - 21216500			
POS.	CÓDIGO	DENOMINAÇÃO	QTDE.
1	21216501	MOLA	1
2	21216600	CILINDRO HIDRAULICO	1

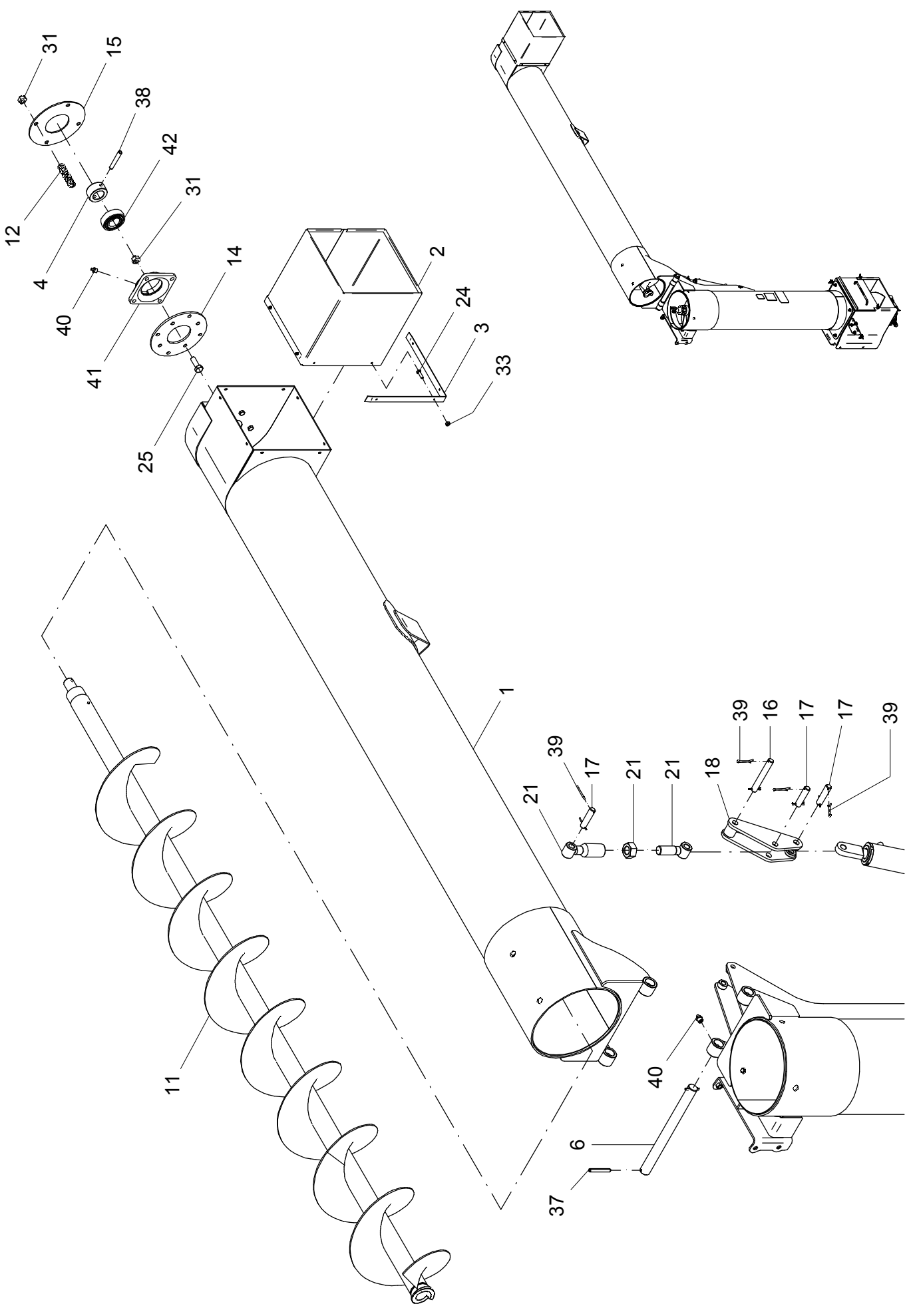
43 - CILINDRO DO FREIO - 21216500			
POS.	CÓDIGO	DENOMINAÇÃO	QTDE.



44 – CILINDRO HIDRAULICO – 21216600				
POS.	CÓDIGO	DENOMINAÇÃO	QTDE.	
1	21216502	PROTEÇÃO SANFONADA	1	
2	21216601	LUVA GUIA	1	
3	21216602	HASTE	1	
4	21216603	GARFO	1	
5	21216700	CAMISA	1	
6	64020218	ANEL ELASTICO I-39 DIN 472	1	
7	72066638	ANEL O RING 2-116 (PARKER)	1	
8	72066639	ANEL O RING 2-219 (PARKER)	1	
9	72066715	ANEL RASPADOR W-1.1500.500	1	
10	21219100	KIT DE REPAROS	1	

44 – CILINDRO HIDRAULICO – 21216600				
POS.	CÓDIGO	DENOMINAÇÃO	QTDE.	

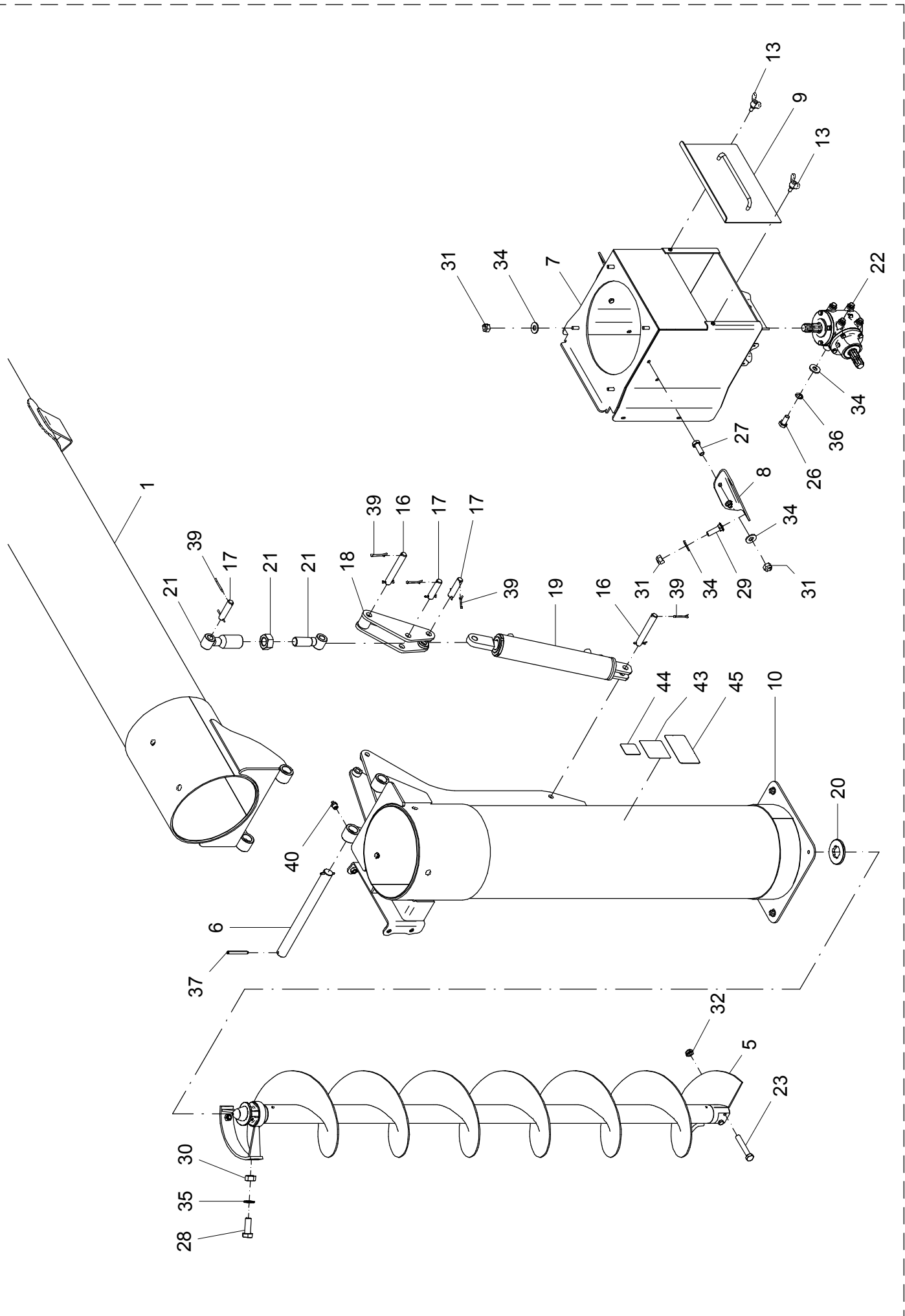
45 - TUBO DE DESCARGA MECÁNICO - 21110000 (OPCIONAL)



45 - TUBO DE DESCARGA MECÂNICO – 21110000 (OPCIONAL)			
POS.	CÓDIGO	DENOMINAÇÃO	QTDE.
1	21110100	TUBO DE DESCARGA	1
2	21200021	BOCAL	1
3	21200022	CINTA	2
4	21202502	BUCHA	1
5	21210300	ROSCA SEM-FIM	1
6	21224201	PINO	1
7	21224300	CAIXA CARBONO	1
7	21228300	CAIXA INOX (OPCIONAL)	1
8	21224604	SUPORTE	2
9	21224700	TAMPA	1
10	21226900	TUBO DE DESCARGA	1
11	21270100	ROSCA SEM-FIM	1
12	21403601	MOLA	4
13	21404500	PARAFUSO	2
14	21410502	FLANGE	1
15	21410503	FLANGE	1
16	21600501	PINO	2
17	21600502	PINO	3
18	21601200	ARTICULADOR	1
19	21603700	CILINDRO HIDRAULICO	1
20	21621201	ARRUELA ESTRIADA	1
21	26229800	REGULADOR	1
22	26230600	CAIXA DE TRANSMISSAO	1
23	60112527	PARAF. CAB. SEXT. 1/2 NFX 3"10.9 R.PARCIAL	2
24	60117054	PARAF. CAB. SEXT. M6X1X20 DIN 933 ZB	8
25	60117616	PARAF. CAB. SEXT. M12X1.75X35 DIN 933	4
26	60117658	PARAF. CAB. SEXT. M12X1.75X25 DIN 933 ZB	8
27	60117664	PARAF. CAB. SEXT. M12X1.75X35 DIN 933 ZB	4
28	60178018	PARAF. CAB. SEXT. M16X2X40 DIN 931 8.8	2
29	60477666	PARAF. FRANCES M12X1.75X40 8.8 DIN 603/14	4
30	61131409	PORCA SEXT. M16X2 DIN 934 8.	2
31	61411010	PORCA AUTO FREN. ALTA M12X1.75 DIN 982 ZB	20

45 - TUBO DE DESCARGA MECÂNICO – 21110000 (OPCIONAL)			
POS.	CÓDIGO	DENOMINAÇÃO	QTDE.
32	61511102	PORCA AUTO FREN. BAIXA 1/2" NF	2
33	61530410	PORCA AUTO FREN. BAIXA M6X1 DIN 985 8. ZB	8
34	62030712	ARRUELA LISA Ø13XØ30X2.5 INOX	20
35	62050414	ARRUELA DE PRESSAO B 16 DIN 127	2
36	62050510	ARRUELA DE PRESSAO B 12 DIN 127 ZB	8
37	63022232	PINO ELASTICO Ø 8 X 65 DIN 1481 (RENO)	2
38	63022430	PINO ELASTICO Ø 10 X 60 DIN 1481 (RENO)	1
39	63141422	CONTRAPINO Ø 4 X 40 DIN 94 ZB	10
40	65070403	GRAXEIRA M10 X 1 RETA	6
41	67020403	MANCAL CJ-08	1
42	68130506	ROL. AUTOC. DE MONT. 208 KRRB AHO1 PL	1
43	74121037	ADESIVO-NIVELAR E ESTABILIZAR	1
44	74121043	ADESIVO-EVITE ACIONAR TUBO CHEIO	1
45	74121081	ADESIVO-APROXIMACAO DE REDE ELETRICA	1

45 - TUBO DE DESCARGA MECÁNICO - 21110000 (OPCIONAL)



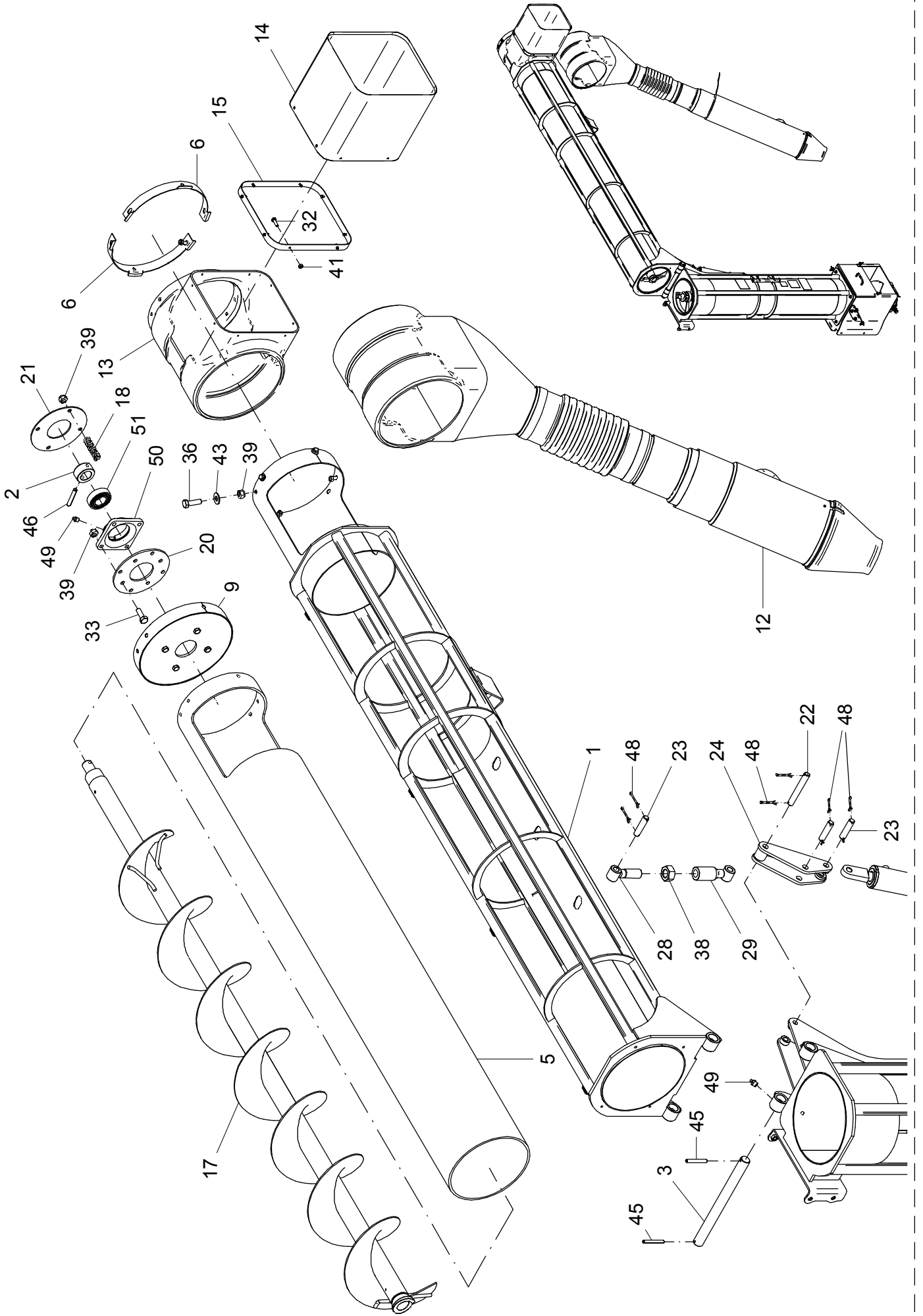
## 45 - TUBO DE DESCARGA MECÂNICO – 21110000 (OPCIONAL)

POS.	CÓDIGO	DENOMINAÇÃO	QTDE.
1	21110100	TUBO DE DESCARGA	1
2	21200021	BOCAL	1
3	21200022	CINTA	2
4	21202502	BUCHA	1
5	21210300	ROSCA SEM-FIM	1
6	21224201	PINO	1
7	21224300	CAIXA CARBONO	1
7	21228300	CAIXA INOX (OPCIONAL)	1
8	21224604	SUPORTE	2
9	21224700	TAMPA	1
10	21226900	TUBO DE DESCARGA	1
11	21270100	ROSCA SEM-FIM	1
12	21403601	MOLA	4
13	21404500	PARAFUSO	2
14	21410502	FLANGE	1
15	21410503	FLANGE	1
16	21600501	PINO	2
17	21600502	PINO	3
18	21601200	ARTICULADOR	1
19	21603700	CILINDRO HIDRAULICO	1
20	21621201	ARRUELA ESTRIADA	1
21	26229800	REGULADOR	1
22	26230600	CAIXA DE TRANSMISSAO	1
23	60112527	PARAF. CAB. SEXT. 1/2 NFX 3"10.9 R.PARCIAL	2
24	60117054	PARAF. CAB. SEXT. M6X1X20 DIN 933 ZB	8
25	60117616	PARAF. CAB. SEXT. M12X1.75X35 DIN 933	4
26	60117658	PARAF. CAB. SEXT. M12X1.75X25 DIN 933 ZB	8
27	60117664	PARAF. CAB. SEXT. M12X1.75X35 DIN 933 ZB	4
28	60178018	PARAF. CAB. SEXT. M16X2X40 DIN 931 8.8	2
29	60477666	PARAF. FRANCES M12X1.75X40 8.8 DIN 603/14	4
30	61131409	PORCA SEXT. M16X2 DIN 934 8.	2
31	61411010	PORCA AUTO FREN. ALTA M12X1.75 DIN 982 ZB	20

## 45 - TUBO DE DESCARGA MECÂNICO – 21110000 (OPCIONAL)

POS.	CÓDIGO	DENOMINAÇÃO	QTDE.
32	61511102	PORCA AUTO FREN. BAIXA 1/2" NF	2
33	61530410	PORCA AUTO FREN. BAIXA M6X1 DIN 985 8. ZB	8
34	62030712	ARRUELA LISA Ø13XØ30X2.5 INOX	20
35	62050414	ARRUELA DE PRESSAO B 16 DIN 127	2
36	62050510	ARRUELA DE PRESSAO B 12 DIN 127 ZB	8
37	63022232	PINO ELASTICO Ø 8 X 65 DIN 1481 (RENO)	2
38	63022430	PINO ELASTICO Ø 10 X 60 DIN 1481 (RENO)	1
39	63141422	CONTRAPINO Ø 4 X 40 DIN 94 ZB	10
40	65070403	GRAXEIRA M10 X 1 RETA	6
41	67020403	MANCAL C-J-08	1
42	68130506	ROL. AUTOC. DE MONT. 208 KRRB AHO1 PL	1
43	74121037	ADESIVO-NIVELAR E ESTABILIZAR	1
44	74121043	ADESIVO-EVITE ACIONAR TUBO CHEIO	1
45	74121081	ADESIVO-APROXIMACAO DE REDE ELETRICA	1

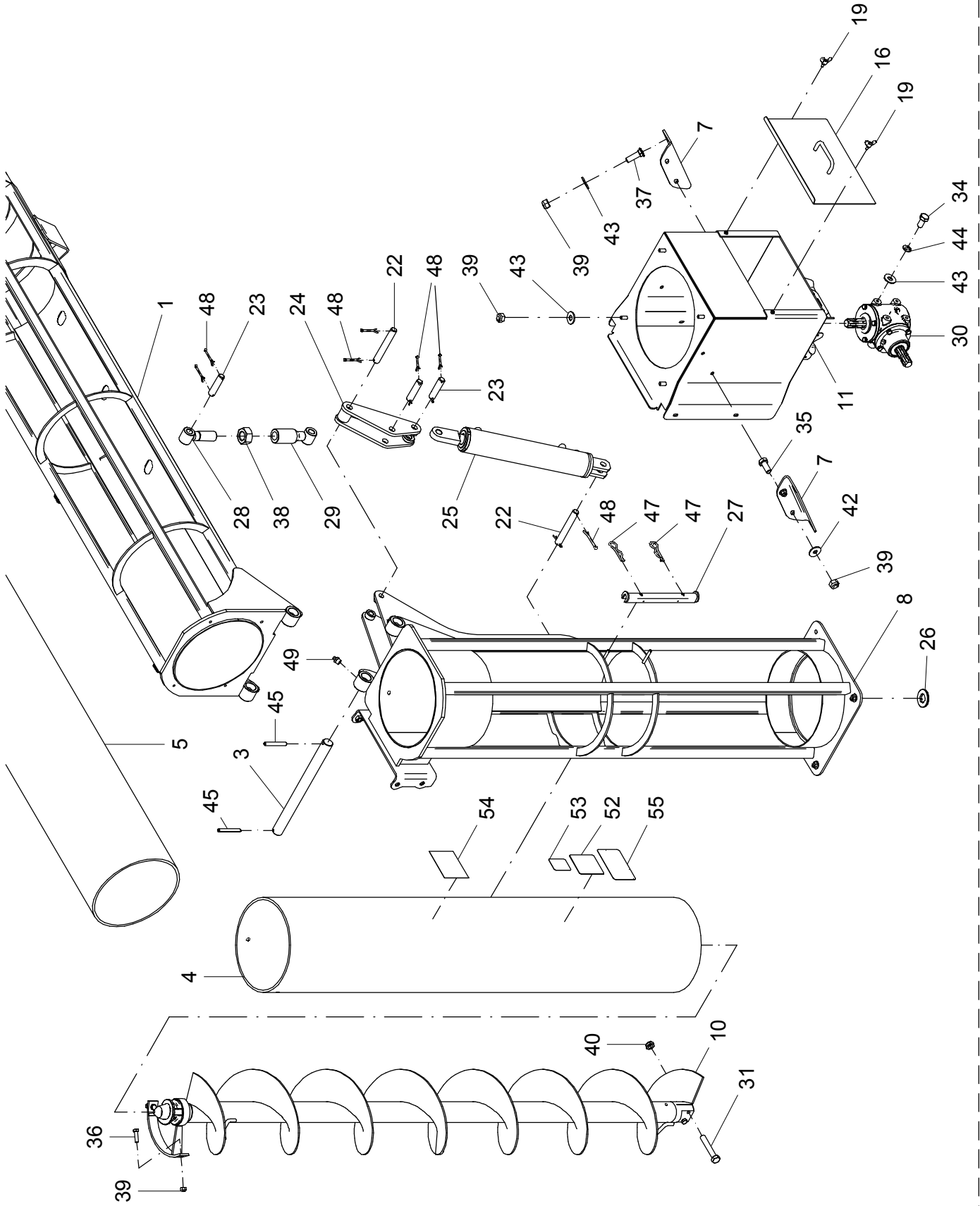
46- TUBO DE DESCARGA MULTIUSO MECÁNICO -2111200 (OPCIONAL)



46 - TUBO DE DESCARGA MULTIUSO MECÂNICO – 21111200 (OPCIONAL)			
POS.	CÓDIGO	DENOMINAÇÃO	QTDE.
1	21111300	ESTRUTURA DESCARGA SUPERIOR	1
2	21202502	BUCHA	1
3	21224201	PINO	1
4	21224601	TUBO INFERIOR	1
5	21224602	TUBO SUPERIOR	1
6	21224603	TRAVA	2
7	21224604	SUPORTE	2
8	21224900	TUBO DE DESCARGA INFERIOR	1
9	21225700	MANCAL	1
10	21227500	ROSCA SEM-FIM	1
11	21228300	CAIXA INOX	1
11	21224300	CAIXA CARBONO (OPCIONAL)	1
12	21229000	MANGOTE TELESCÓPICO	1
13	21231801	BOCAL	1
14	21231802	BOCAL	1
15	21231803	CINTA	2
16	21235100	TAMPA	1
17	21270300	ROSCA SEM-FIM	1
18	21403601	MOLA	4
19	21404500	PARAFUSO	2
20	21410502	FLANGE	1
21	21410503	FLANGE	1
22	21600501	PINO	2
23	21600502	PINO	3
24	21601200	ARTICULADOR	1
25	21603700	CILINDRO HIDRAULICO	1
26	21621201	ARRUELA ESTRIADA	1
27	26228400	LIMITADOR	1
28	26229900	FUSO	1
29	26230000	REGULADOR	1
30	26230600	CAIXA DE TRANSMISSAO	1
31	60112527	PARAF. CAB. SEXT. 1/2 NFX 3" 10.9 R. PARCIAL	2

46 - TUBO DE DESCARGA MULTIUSO MECÂNICO – 21111200 (OPCIONAL)			
POS.	CÓDIGO	DENOMINAÇÃO	QTDE.
32	60117054	PARAF. CAB. SEXT. M6X1X20 DIN 933 ZB	8
33	60117616	PARAF. CAB. SEXT. M12X1.75X35 DIN 933	4
34	60117658	PARAF. CAB. SEXT. M12X1.75X25 DIN 933 ZB	2
35	60117662	PARAF. CAB. SEXT. M12X1.75X30 DIN 933 ZB	4
36	60117666	PARAF. CAB. SEXT. M12X1.75X40 DIN 933 8.8 ZB	8
37	60477666	PARAF. FRANCES M12X1.75X40 8.8 DIN 603/14	4
38	61112610	PORCA SEXT. M30X3.5 DIN 934 ZB	1
39	61411010	PORCA AUTO FREN. ALTA M12X1.75 DIN 982 ZB	28
40	61511102	PORCA AUTO FREN. BAIXA 1/2" NF	2
41	61530410	PORCA AUTO FREN. BAIXA M6X1 DIN 985 8. ZB	8
42	62030710	ARRUELA LISA Ø10.5XØ30X2.5 INOX	4
43	62030712	ARRUELA LISA Ø13XØ30X2.5 INOX	16
44	62050510	ARRUELA DE PRESSAO B 12 DIN 127 ZB	2
45	63022232	PINO ELASTICO Ø 8 X 65 DIN 1481 (RENO)	2
46	63022430	PINO ELASTICO Ø 10 X 60 DIN 1481 (RENO)	1
47	63041426	PINO TRAVA Ø3.8X50ZB TECNOM. YM211X3.8X19	2
48	63141422	CONTRAPINO Ø 4 X 40 DIN 94 ZB	10
49	65070403	GRAXEIRA M10 X 1 RETA	5
50	67020403	MANCAL C-J-08	1
51	68130506	ROL. AUTO C. DE MONT. 208 KRRB AHO1 PL	1
52	74121037	ADESIVO-NIVELAR E ESTABILIZAR	1
53	74121043	ADESIVO-EVITE ACIONAR TUBO CHEIO	1
54	74121045	ADESIVO-LIMITADOR DE CURSO CILINDRO	1
55	74121081	ADESIVO-APROXIMACAO DE REDE ELETRICA	1

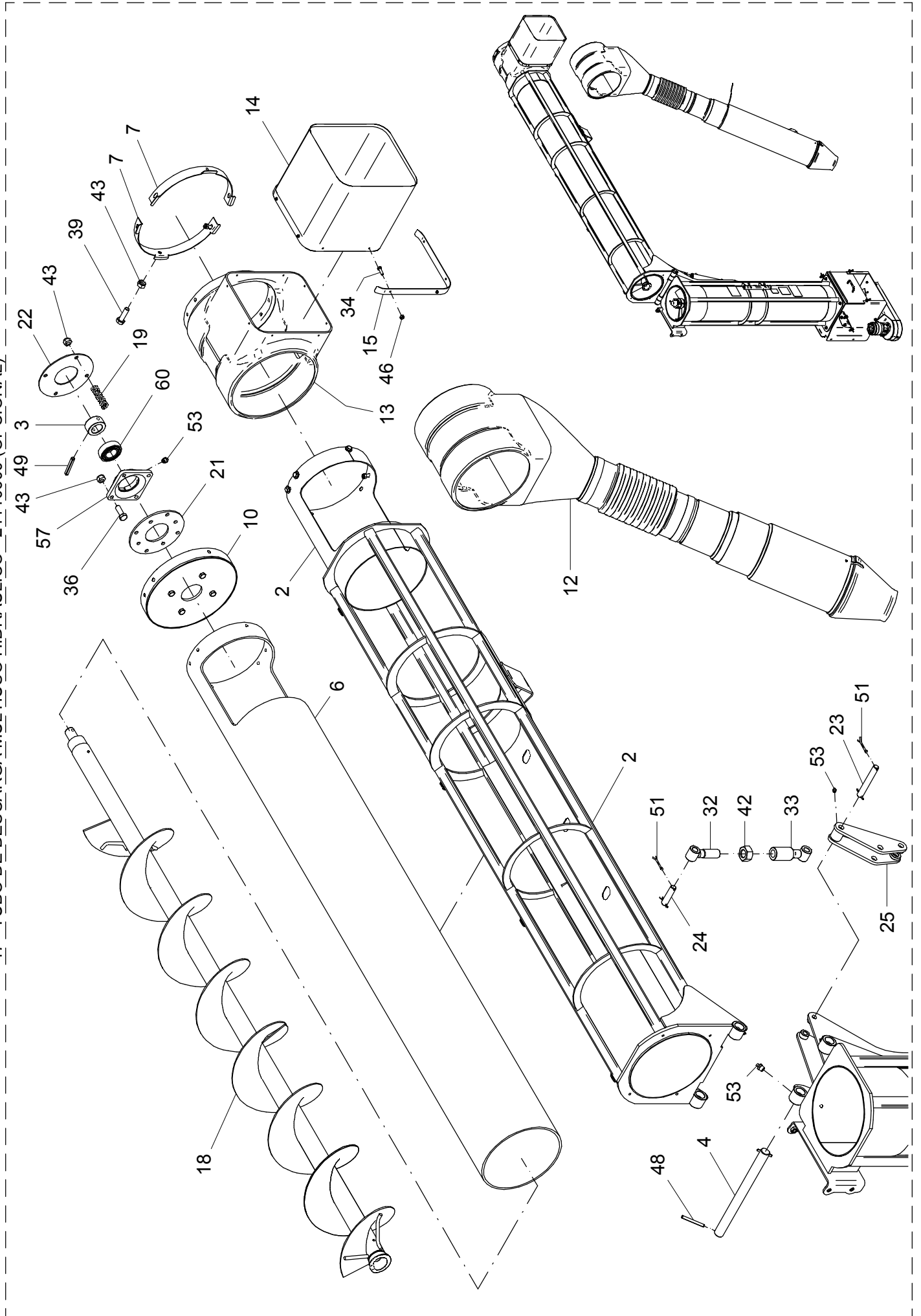
46.- TUBO DE DESCARGA MULTIUSO MECÁNICO - 21111200 (OPCIONAL)



46 - TUBO DE DESCARGA MULTIUSO MECÂNICO – 21111200 (OPCIONAL)			
POS.	CÓDIGO	DENOMINAÇÃO	QTDE.
1	21111300	ESTRUTURA DESCARGA SUPERIOR	1
2	21202502	BUCHA	1
3	21224201	PINO	1
4	21224601	TUBO INFERIOR	1
5	21224602	TUBO SUPERIOR	1
6	21224603	TRAVA	2
7	21224604	SUORTE	2
8	21224900	TUBO DE DESCARGA INFERIOR	1
9	21225700	MANCAL	1
10	21227500	ROSCA SEM-FIM	1
11	21228300	CAIXA INOX	1
11	21224300	CAIXA CARBONO (OPCIONAL)	1
12	21229000	MANGOTE TELESCÓPICO	1
13	21231801	BOCAL	1
14	21231802	BOCAL	1
15	21231803	CINTA	2
16	21235100	TAMPA	1
17	21270300	ROSCA SEM-FIM	1
18	21403601	MOLA	4
19	21404500	PARAFUSO	2
20	21410502	FLANGE	1
21	21410503	FLANGE	1
22	21600501	PINO	2
23	21600502	PINO	3
24	21601200	ARTICULADOR	1
25	21603700	CILINDRO HIDRAULICO	1
26	21621201	ARRUELA ESTRIADA	1
27	26228400	LIMITADOR	1
28	26229900	FUSO	1
29	26230000	REGULADOR	1
30	26230600	CAIXA DE TRANSMISSAO	1
31	60112527	PARAF. CAB. SEXT. 1/2 NFX 3" 10.9 R. PARCIAL	2

46 - TUBO DE DESCARGA MULTIUSO MECÂNICO – 21111200 (OPCIONAL)			
POS.	CÓDIGO	DENOMINAÇÃO	QTDE.
32	60117054	PARAF. CAB. SEXT. M6X1X20 DIN 933 ZB	8
33	60117616	PARAF. CAB. SEXT. M12X1.75X35 DIN 933	4
34	60117658	PARAF. CAB. SEXT. M12X1.75X25 DIN 933 ZB	2
35	60117662	PARAF. CAB. SEXT. M12X1.75X30 DIN 933 ZB	4
36	60117666	PARAF. CAB. SEXT. M12X1.75X40 DIN 933 8.8 ZB	8
37	60477666	PARAF. FRANCES M12X1.75X40 8.8 DIN 603/14	4
38	61112610	PORCA SEXT. M30X3.5 DIN 934 ZB	1
39	61411010	PORCA AUTO FREN. ALTA M12X1.75 DIN 982 ZB	28
40	61511102	PORCA AUTO FREN. BAIXA 1/2" NF	2
41	61530410	PORCA AUTO FREN. BAIXA M6X1 DIN 985 8. ZB	8
42	62030710	ARRUELA LISA Ø10.5XØ30X2.5 INOX	4
43	62030712	ARRUELA LISA Ø13XØ30X2.5 INOX	16
44	62050510	ARRUELA DE PRESSAO B 12 DIN 127 ZB	2
45	63022232	PINO ELASTICO Ø 8 X 65 DIN 1481 (RENO)	2
46	63022430	PINO ELASTICO Ø 10 X 60 DIN 1481 (RENO)	1
47	63041426	PINO TRAVA Ø3.8X50ZB TECNOM. YM21 1X3.8X19	2
48	63141422	CONTRAPINO Ø 4 X 40 DIN 94 ZB	10
49	65070403	GRAXEIRA M10 X 1 RETA	5
50	67020403	MANCAL C.J-08	1
51	68130506	ROL. AUTO C. DE MONT. 208 KRRB AHO1 PL	1
52	74121037	ADESIVO-NIVELAR E ESTABILIZAR	1
53	74121043	ADESIVO-EVITE ACIONAR TUBO CHEIO	1
54	74121045	ADESIVO-LIMITADOR DE CURSO CILINDRO	1
55	74121081	ADESIVO-APROXIMACAO DE REDE ELETRICA	1

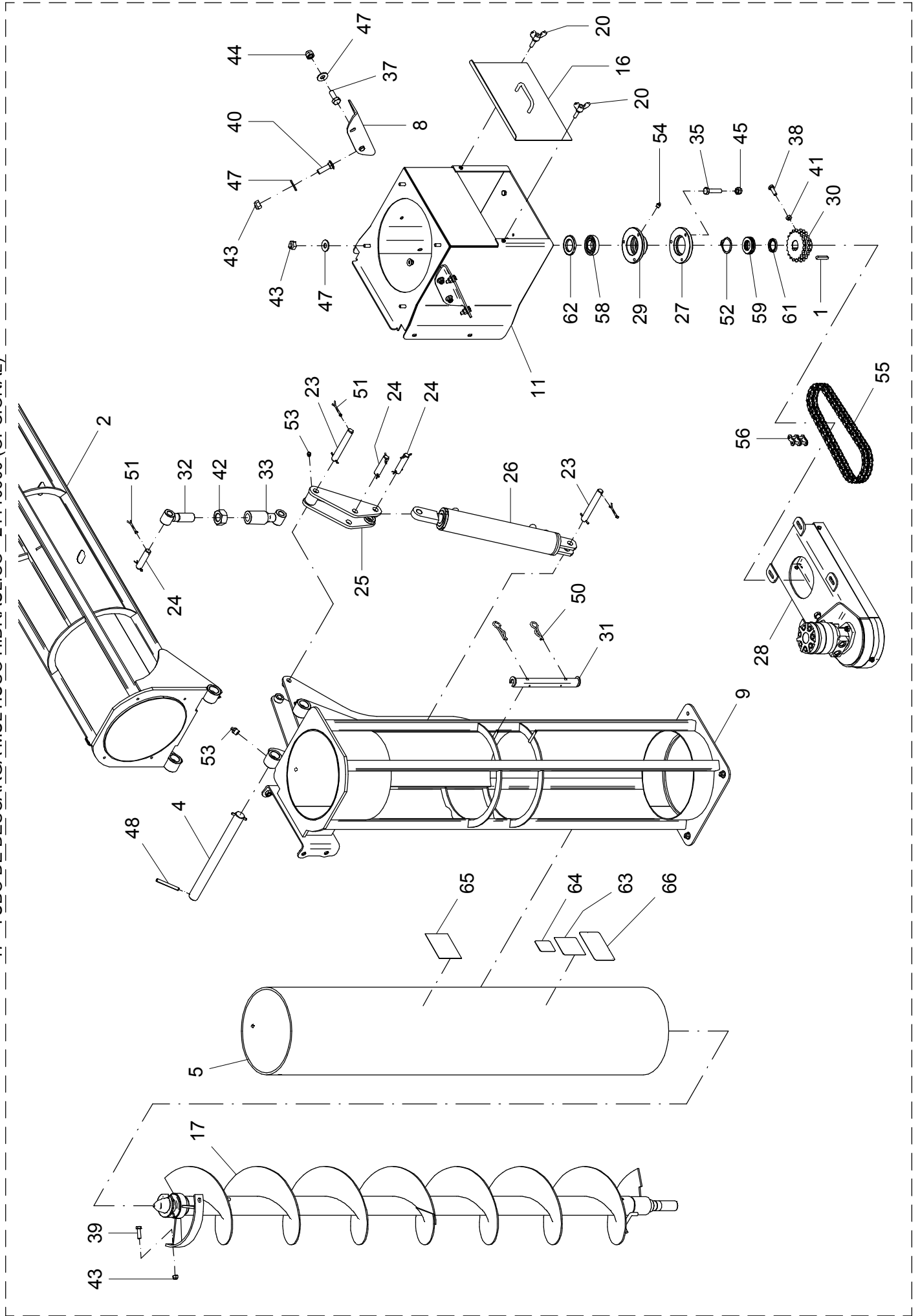
47 - TUBO DE DESCARGA MULTIUSO HIDRÁULICO - 211110600 (OPCIONAL)



47 - TUBO DE DESCARGA MULTIUSO HIDRÁULICO – 21110600 (OPCIONAL)			
POS.	CÓDIGO	DENOMINAÇÃO	QTDE.
1	07100001	CHAVETA 8x12x58	1
2	21111300	ESTRUTURA DESCARGA SUPERIOR	1
3	21202502	BUCHA	1
4	21224201	PINO	1
5	21224601	TUBO INFERIOR	1
6	21224602	TUBO SUPERIOR	1
7	21224603	TRAVA	2
8	21224604	SUPORTE	2
9	21224900	TUBO DE DESCARGA INFERIOR	1
10	21225700	MANCAL	1
11	21228100	CAIXA INOX	1
12	21229000	MANGOTE TELESCÓPICO	1
13	21231801	BOCAL	1
14	21231802	BOCAL	1
15	21231803	CINTA	2
16	21235100	TAMPA	1
17	21237900	ROSCA SEM-FIM	1
18	21270300	ROSCA SEM-FIM	1
19	21403601	MOLA	4
20	21404500	PARAFUSO	2
21	21410502	FLANGE	1
22	21410503	FLANGE	1
23	21600501	PINO	2
24	21600502	PINO	3
25	21601200	ARTICULADOR	1
26	21603700	CILINDRO HIDRAULICO	1
27	25500104	FLANGE	1
28	26206600	ACIONAMENTO HIDRAULICO	1
29	26210013	MANCAL	1
30	26210015	ENGRENAGEM DUPLA Z-20	1
31	26228400	LIMITADOR	1
32	26229900	FUSO	1
33	26230000	REGULADOR	1

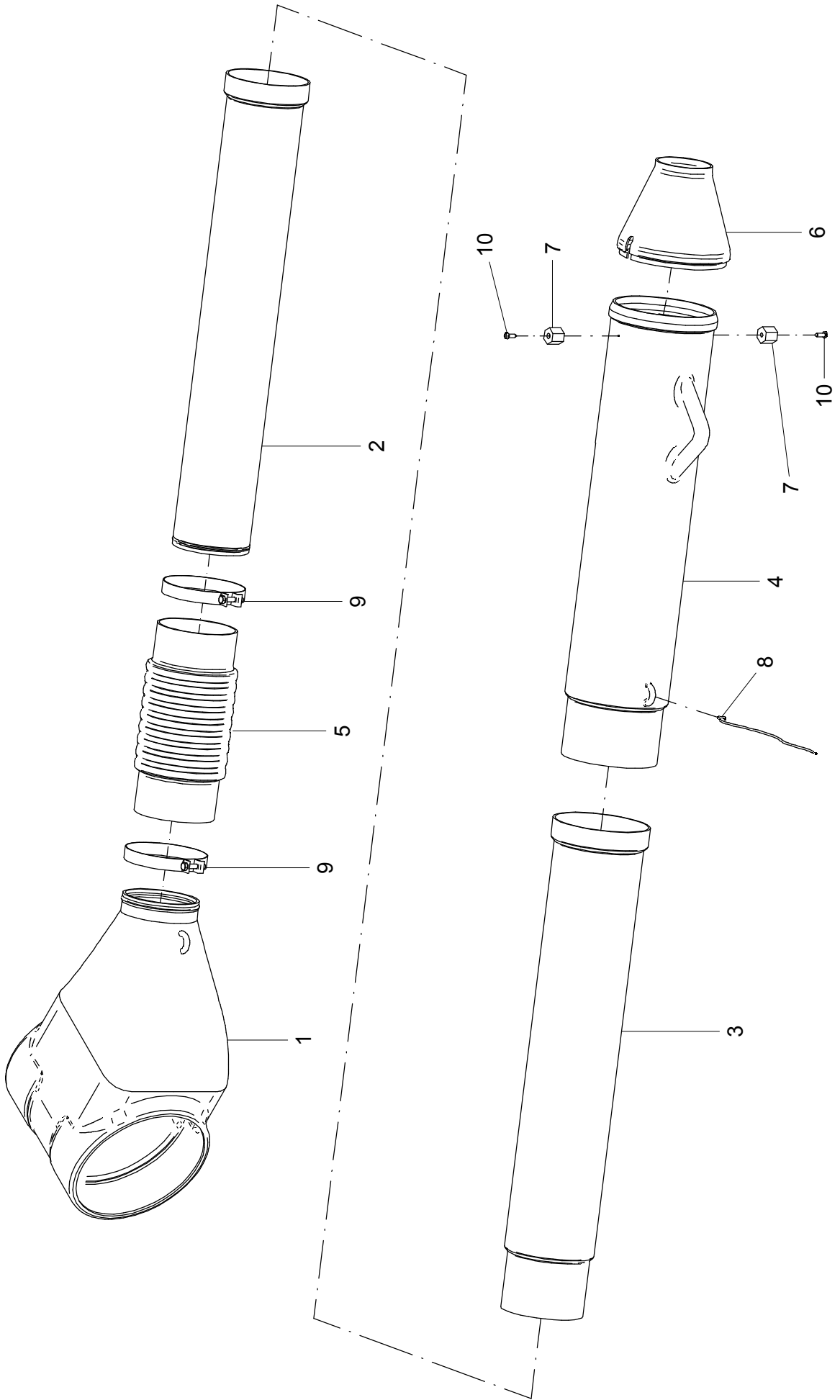
47 - TUBO DE DESCARGA MULTIUSO HIDRÁULICO – 21110600 (OPCIONAL)			
POS.	CÓDIGO	DENOMINAÇÃO	QTDE.
34	60117054	PARAF. CAB. SEXT. M6X1X20 DIN 933 ZB	8
35	60117468	PARAF. CAB. SEXT. M10X1.5X45 DIN 931 ZB	3
36	60117616	PARAF. CAB. SEXT. M12X1.75X35 DIN 933	4
37	60117714	PARAF. CAB. SEXT. M12X1.5X30 DIN 961	4
38	60177210	PARAF. CAB. SEXT. M8X1.25X25 DIN 933 8.8	1
39	60177666	PARAF. CAB. SEXT. M12X1.75X40 DIN 933 8.8 ZB	8
40	60477666	PARAF. FRANCES M12X1.75X40 8.8 DIN 603/14	4
41	61110609	PORCA SEXT. M8X1.25 DIN 934	1
42	61112610	PORCA SEXT. M30X3.5 DIN 934 ZB	1
43	61411010	PORCA AUTO FREN. ALTA M12X1.75 DIN 982 ZB	28
44	61411012	PORCA AUTO FREN. ALTA M12X1.5 DIN 982 ZB	4
45	61430810	PORCA AUTO FREN. ALTA M10X1.5 DIN 982 ZB	3
46	61530410	PORCA AUTO FREN. BAIXA M6X1 DIN 985 8. ZB	8
47	62030712	ARRUELA LISA Ø13XØ30X2.5 INOX	22
48	63022232	PINO ELASTICO Ø 8 X 65 DIN 1481 (RENO)	2
49	63022430	PINO ELASTICO Ø 10 X 60 DIN 1481 (RENO)	1
50	63041426	PINO TRAVA Ø3.8X50ZB TECNOM.YM211X3.8X19	2
51	63141422	CONTRAPINO Ø 4 X 40 DIN 94 ZB	10
52	64010106	ANEL ELASTICO E-40 DIN 471	1
53	65070403	GRAXEIRA M10 X 1 RETA	6
54	65110403	GRAXEIRA M6 X 1 RETA	1
55	66021809	CORRENTE DUPLA ASA 60/2 - 59 ELOS	1
56	66211800	EMENDA DUPLA ASA 60/2	1
57	67020403	MANCAL CJ-08	1
58	68015006	ROL. RIGIDO DE ESFERAS 6208 SL	1
59	68065003	ROL. AXIAL DE ESFERAS 51208 SL	1
60	68130506	ROL. AUTOC. DE MONT. 208 KRRB AHO1 PL	1
61	69010125	RETENTOR 01707 BRG SABO Ø40XØ55X8	1
62	69020127	RETENTOR REF. 11745 C/FELTRO Ø50XØ80X10	1
63	74121037	ADESIVO-NIVELAR E ESTABILIZAR	1
64	74121043	ADESIVO-EVITE ACIONAR TUBO CHEIO	1
65	74121045	ADESIVO-LIMITADOR DE CURSO CILINDRO	1
66	74121081	ADESIVO-APROXIMACAO DE REDE ELETRICA	1

47 - TUBO DE DESCARGA MULTIIUSO HIDRÁULICO - 211110600 (OPCIONAL)

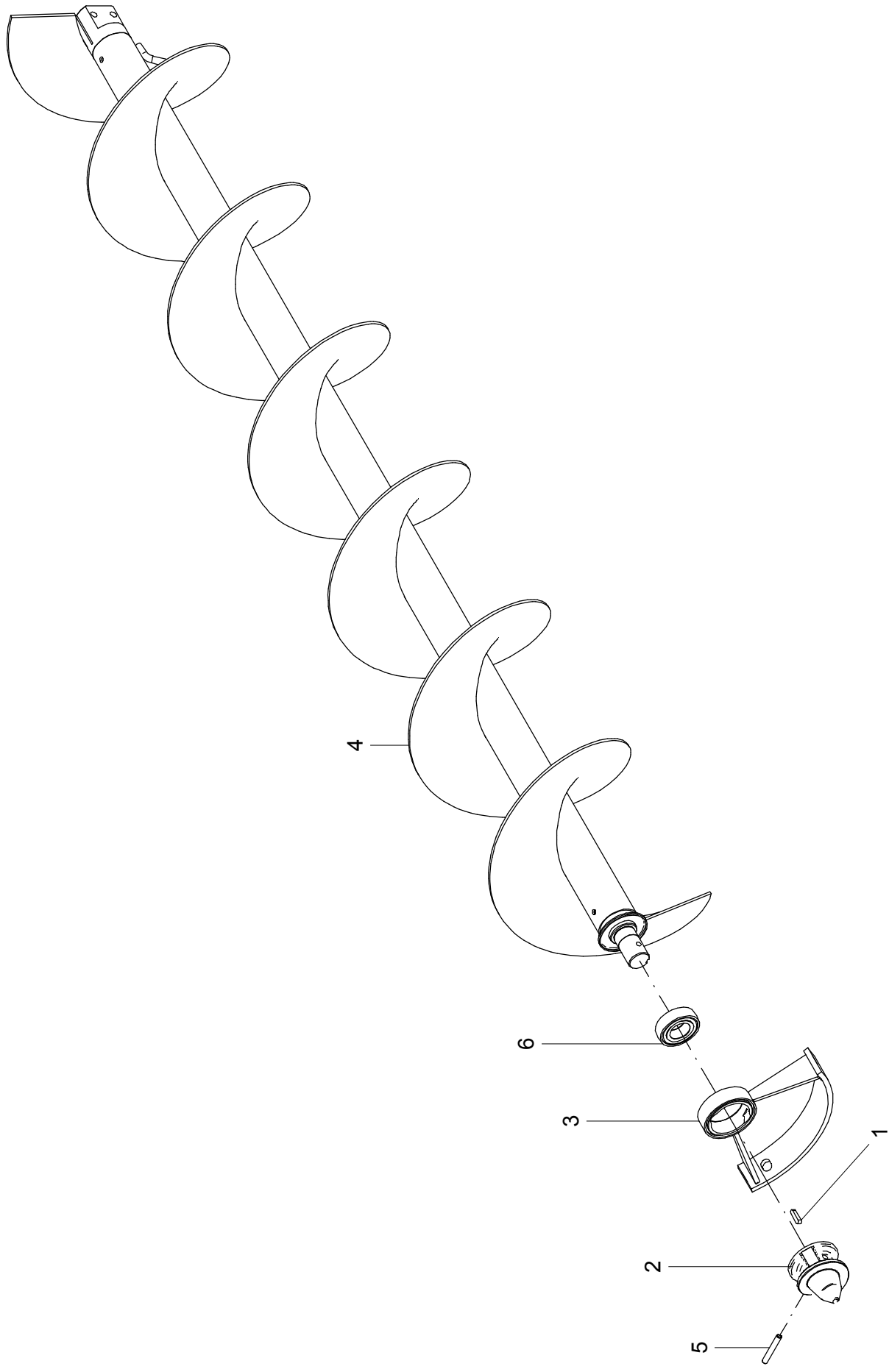


47 - TUBO DE DESCARGA MULTIUSO HIDRÁULICO – 21110600 (OPCIONAL)			
POS.	CÓDIGO	DENOMINAÇÃO	QTDE.
1	07100001	CHAVETA 8x12x58	1
2	21111300	ESTRUTURA DESCARGA SUPERIOR	1
3	21202502	BUCHA	1
4	21224201	PINO	1
5	21224601	TUBO INFERIOR	1
6	21224602	TUBO SUPERIOR	1
7	21224603	TRAVA	2
8	21224604	SUPORTE	2
9	21224900	TUBO DE DESCARGA INFERIOR	1
10	21225700	MANCAL	1
11	21228100	CAIXA INOX	1
12	21229000	MANGOTE TELESCÓPICO	1
13	21231801	BOCAL	1
14	21231802	BOCAL	1
15	21231803	CINTA	2
16	21235100	TAMPA	1
17	21237900	ROSCA SEM-FIM	1
18	21270300	ROSCA SEM-FIM	1
19	21403601	MOLA	4
20	21404500	PARAFUSO	2
21	21410502	FLANGE	1
22	21410503	FLANGE	1
23	21600501	PINO	2
24	21600502	PINO	3
25	21601200	ARTICULADOR	1
26	21603700	CILINDRO HIDRÁULICO	1
27	25500104	FLANGE	1
28	26206600	ACIONAMENTO HIDRÁULICO	1
29	26210013	MANCAL	1
30	26210015	ENGRENAGEM DUPLA Z-20	1
31	26228400	LIMITADOR	1
32	26229900	FUSO	1
33	26230000	REGULADOR	1

47 - TUBO DE DESCARGA MULTIUSO HIDRÁULICO – 21110600 (OPCIONAL)			
POS.	CÓDIGO	DENOMINAÇÃO	QTDE.
34	60117054	PARAF. CAB. SEXT. M6X1X20 DIN 933 ZB	8
35	60117468	PARAF. CAB. SEXT. M10X1.5X45 DIN 931 ZB	3
36	60117616	PARAF. CAB. SEXT. M12X1.75X35 DIN 933	4
37	60117714	PARAF. CAB. SEXT. M12X1.5X30 DIN 961	4
38	60177210	PARAF. CAB. SEXT. M8X1.25X25 DIN 933 8.8	1
39	60177666	PARAF. CAB. SEXT. M12X1.75X40 DIN 933 8.8 ZB	8
40	60477666	PARAF. FRANCES M12X1.75X40 8.8 DIN 603/14	4
41	61110609	PORCA SEXT. M8X1.25 DIN 934	1
42	61112610	PORCA SEXT. M30X3.5 DIN 934 ZB	1
43	61411010	PORCA AUTO FREN. ALTA M12X1.75 DIN 982 ZB	28
44	61411012	PORCA AUTO FREN. ALTA M12X1.5 DIN 982 ZB	4
45	61430810	PORCA AUTO FREN. ALTA M10X1.5 DIN 982 ZB	3
46	61530410	PORCA AUTO FREN. BAIXA M6X1 DIN 985 8. ZB	8
47	62030712	ARRUELA LISA Ø13XØ30X2.5 INOX	22
48	63022232	PINO ELÁSTICO Ø 8 X 65 DIN 1481 (RENO)	2
49	63022430	PINO ELÁSTICO Ø 10 X 60 DIN 1481 (RENO)	1
50	63041426	PINO TRAVA Ø3.8X50ZB TECNOM.YM211X3.8X19	2
51	63141422	CONTRAPINO Ø 4 X 40 DIN 94 ZB	10
52	64010106	ANEL ELÁSTICO E-40 DIN 471	1
53	65070403	GRAXEIRA M10 X 1 RETA	6
54	65110403	GRAXEIRA M6 X 1 RETA	1
55	66021809	CORRENTE DUPLA ASA 60/2 - 59 ELOS	1
56	66211800	EMENDA DUPLA ASA 60/2	1
57	67020403	MANCAL CJ-08	1
58	68015006	ROL. RÍGIDO DE ESFERAS 6208 SL	1
59	68065003	ROL. AXIAL DE ESFERAS 51208 SL	1
60	68130506	ROL. AUTOC. DE MONT. 208 KRRB AHO1 PL	1
61	69010125	RETENTOR 01707 BRG SABO Ø40XØ55X8	1
62	69020127	RETENTOR REF. 11745 C/FELTRO Ø50XØ80X10	1
63	74121037	ADESIVO-NIVELAR E ESTABILIZAR	1
64	74121043	ADESIVO-EVITE ACIONAR TUBO CHEIO	1
65	74121045	ADESIVO-LIMITADOR DE CURSO CILINDRO	1
66	74121081	ADESIVO-APROXIMACAO DE REDE ELETRICA	1

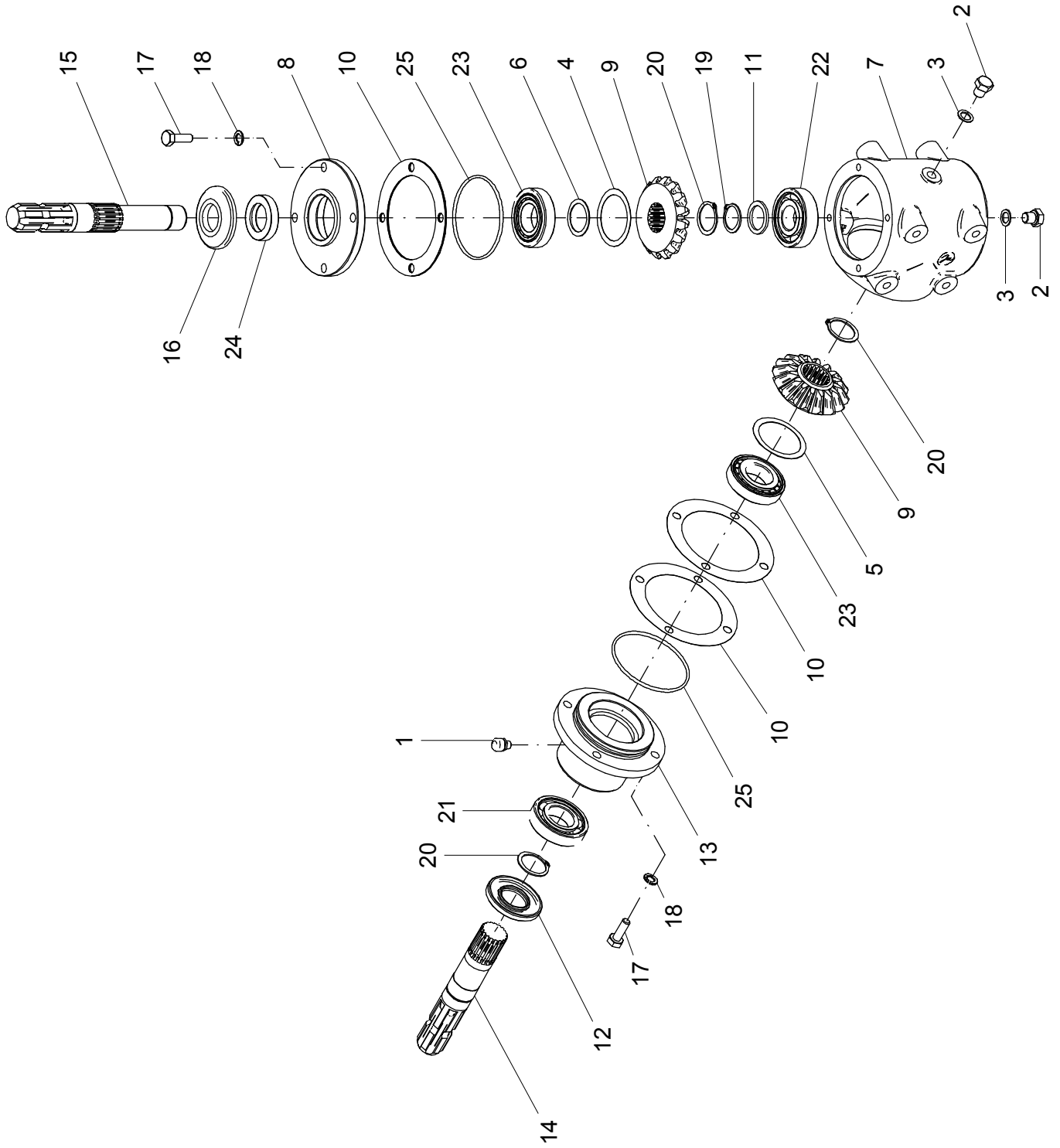






- ROSCA SEM-FIM INFERIOR

POS.	CÓDIGO	DENOMINAÇÃO	QUANTIDADE		
			MECANICO	MULTIUSO	MULTIUSO
			21210300	21227500	21237900
1	05110110	CHAVETA (7X8X32)	1	1	1
2	21021701	PINO DE ARRASTE	1	1	1
3	21207700	MANCAL	1	---	---
3	21225600	MANCAL	---	1	1
4	21210900	ROSCA SEM-FIM	1	---	---
4	21239800	ROSCA SEM-FIM	---	1	---
4	21232300	ROSCA SEM-FIM	---	---	1
5	63022432	PINO ELASTICO Ø 10 X 65 DIN 1481 (RENO)	1	1	---
5	63022430	PINO ELASTICO Ø 10 X 60 DIN 1481 (RENO)	---	---	1
6	68130507	ROLAMENTO AUTOC. DE ESFERAS ORAE 40 NPPB PL	1	1	1

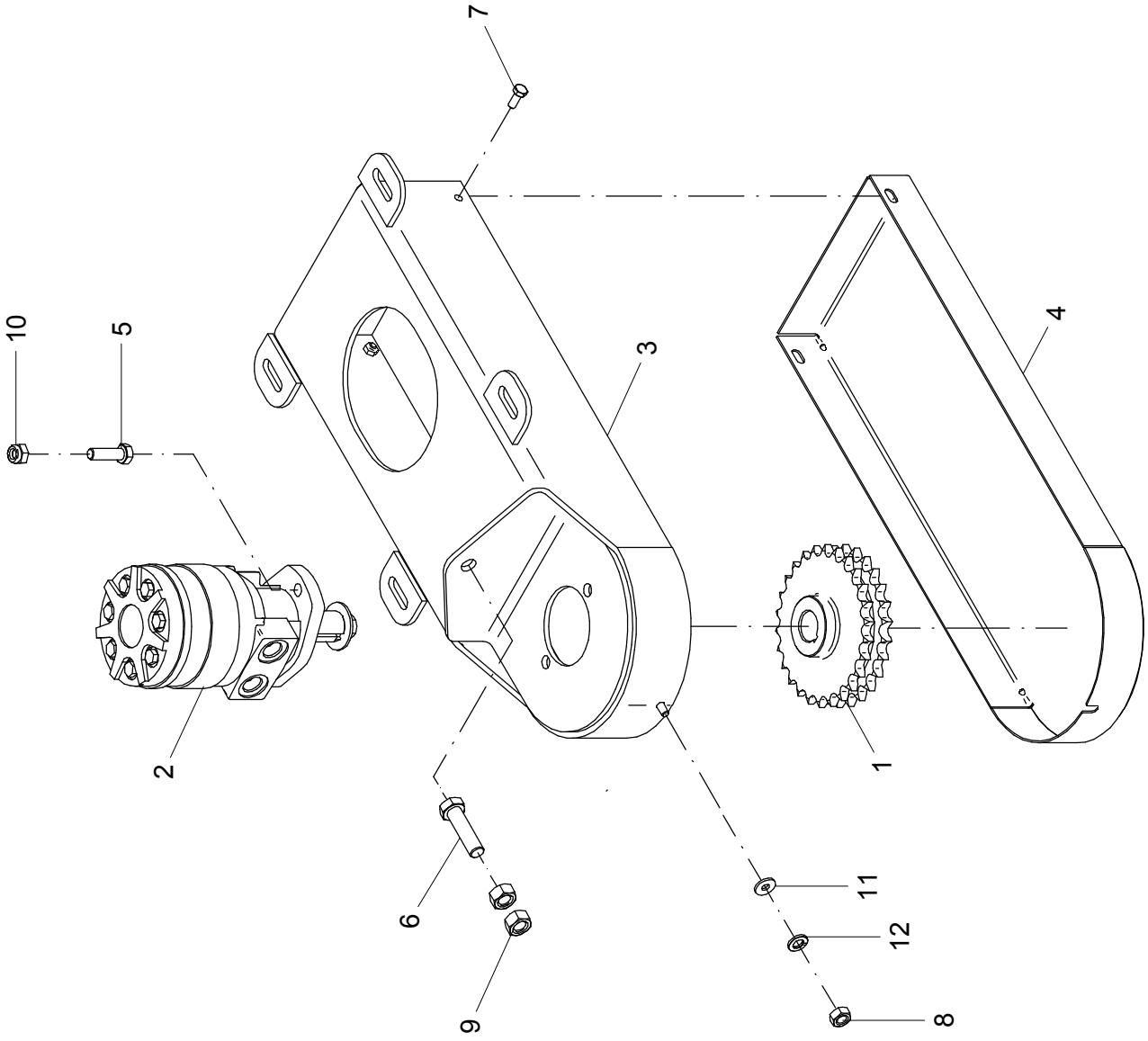


50 - CAIXA DE TRANSMISSÃO – 26230600

POS.	CÓDIGO	DENOMINAÇÃO	QTDE.
1	05104413	RESPIRO PR-157 1/8"NPT C/ FELTRO	1
2	05104414	TAMPAO	2
3	05104415	JUNTA	2
4	12001307	ARRUELA DE AJUSTE 56X70X0.25	2
5	12001308	ARRUELA DE AJUSTE 56X70X0.5	2
6	12002605	ARRUELA DE AJUSTE 35X45X1	3
7	24206002	CARCAÇA	1
8	24206005	TAMPA	1
9	24206009	ENGRENAGEM CONICA Z-16	2
10	24206012	JUNTA	4
11	24206014	ARRUELA LISA Ø30.2xØ40X3	1
12	24402322	RETENTOR 35X72X10-BRG (BPN 3550 16035)	1
13	26230601	CUBO	1
14	26230602	EIXO	1
15	26230603	EIXO	1
16	26230604	PROTETOR	1
17	60177414	PARAFUSO CAB.SEXTAVADA M10X1.5X30 DIN 933 8.8	8
18	62050508	ARRUELA DE PRESSAO B 10 DIN 127 ZB	8
19	64010103	ANEL ELASTICO E-30 DIN 471	1
20	64010104	ANEL ELASTICO E-35 DIN 471	3
21	68010005	ROL. RIGIDO DE ESFERAS 6207 PL	1
22	68010011	ROL. RIGIDO DE ESFERAS 6306 PL	1
23	68050004	ROL. DE ROLOS CONICOS 30207 PL	2
24	69010124	RETENTOR 01Ø1371 BAG SABO Ø35XØ55X11	1
25	72066608	ANEL O'RING 2-240 Ø94,84x3,53 (PARKER)	2
26*	86410002	OLEO SP 320 (SAE 140)	1,02 L

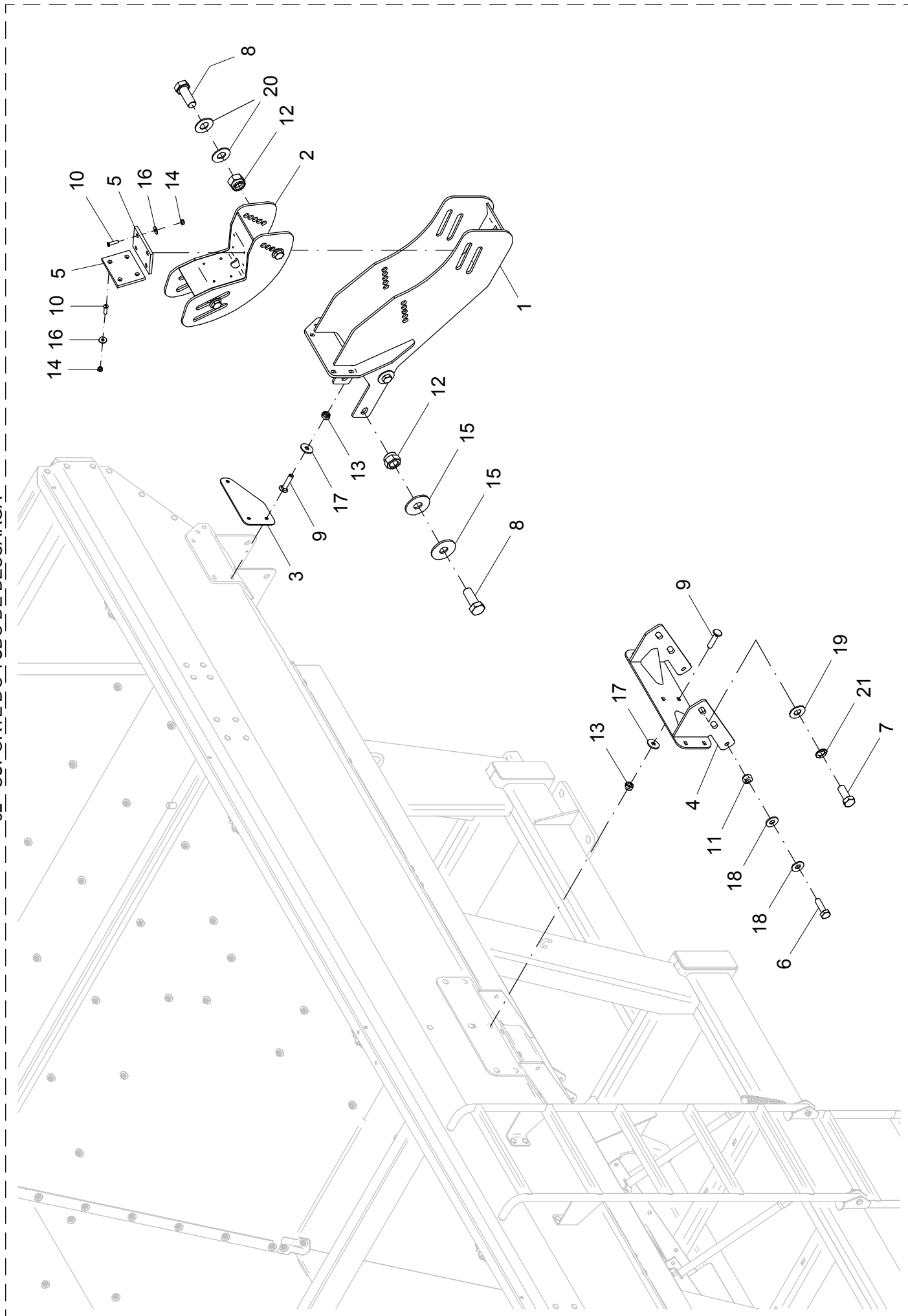
50 - CAIXA DE TRANSMISSÃO – 26230600

POS.	CÓDIGO	DENOMINAÇÃO	QTDE.





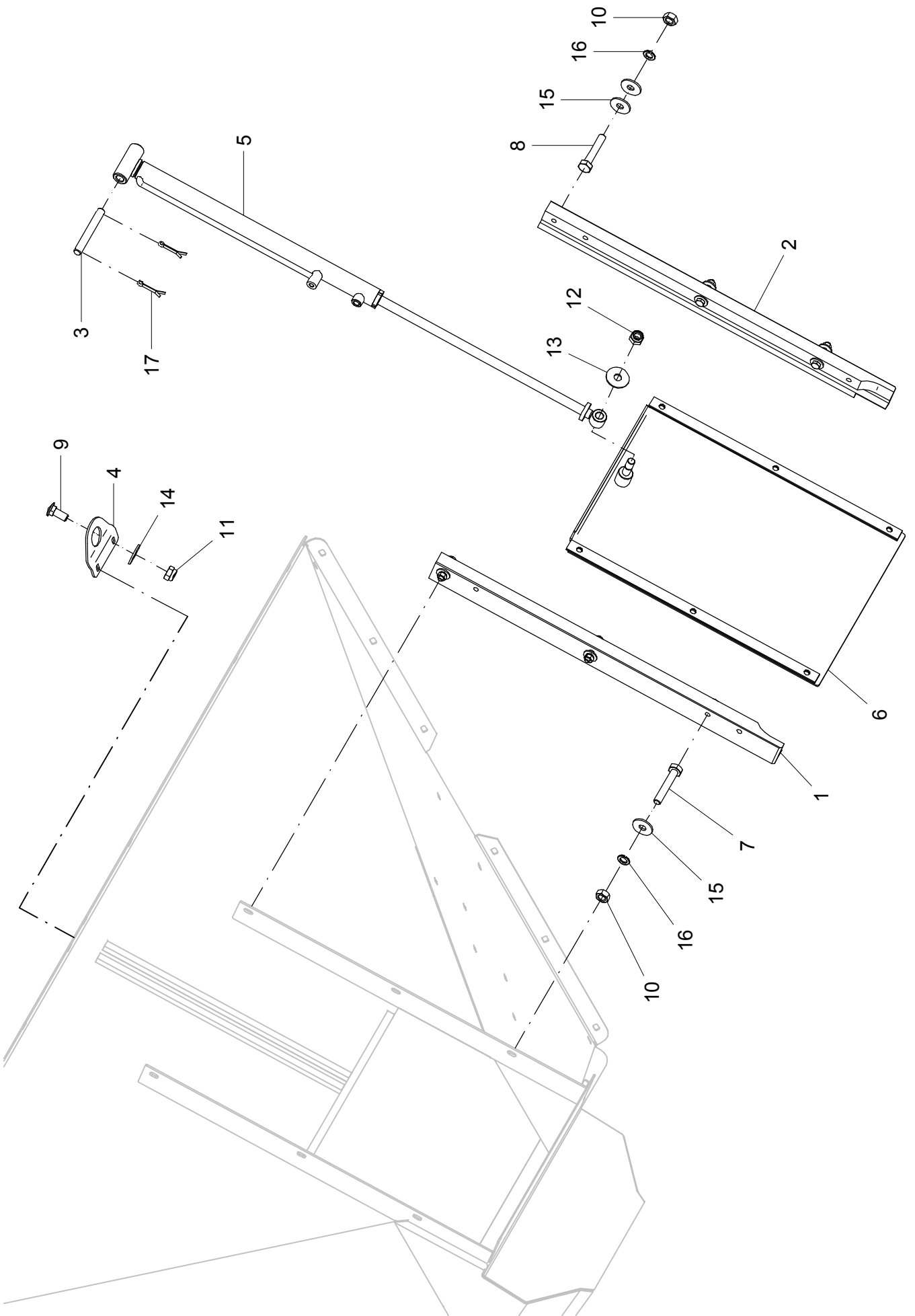
52 - SUPORTE DO TUBO DE DESCARGA



## 52 - SUPORTE DO TUBO DE DESCARGA

POS.	CÓDIGO	DENOMINAÇÃO	QUANTIDADE					
			MECANICO		MULTIUSO MEC.		MULTIUSO HID.	
			21110000	21112000	21112000	21110600	21112000	21110600
1	21109500	SUPORTE	1	---	---	---	---	
1	21111100	SUPORTE	---	1	1	1	1	
2	21109800	SUPORTE DO TUBO	1	1	1	1	1	
3	21247005	MASCARA DE REFORÇO	1	1	1	1	1	
4	21275300	SUPORTE DO TUBO DE DESCARGA	1	1	1	1	1	
5	21629701	ENCOSTO	2	2	2	2	2	
6	60177666	PARAFUSO CABEÇA SEXTAVADA M12X1.75X40 DIN 933 8.8 ZB	2	2	2	2	2	
7	60178018	PARAFUSO CABEÇA SEXTAVADA M16X2X40 DIN 931 8.8	4	4	4	4	4	
8	60178570	PARAFUSO CABEÇA SEXTAVADA M20X1.5X50 DIN 961 8.8 ZB	8	8	8	8	8	
9	60417467	PARAFUSO FRANCES M10X1.5X40 DIN 603/13 5.8 INOX.A2	11	11	11	11	11	
10	60717058	PARAFUSO FENDA M6X1X25 DIN 63 ZB	8	8	8	8	8	
11	61411010	PORCA AUTO FRENANTE ALTA M12X1.75 DIN 982 ZB	2	2	2	2	2	
12	61411812	PORCA AUTO FRENANTE ALTA M20X1.5 DIN 982 ZB	8	8	8	8	8	
13	61430811	PORCA AUTO FRENANTE ALTA M10X1.5 DIN 982 INOX	11	11	11	11	11	
14	61530410	PORCA AUTO FRENANTE BAIXA M6X1 DIN 985 8. ZB	8	8	8	8	8	
15	62010720	ARRUELA LISA A 21 DIN 9021 INOX	8	8	8	8	8	
16	62030704	ARRUELA LISA Ø 6.5XØ18X1.5 INOX	8	8	8	8	8	
17	62030710	ARRUELA LISA Ø10.5XØ30X2.5 INOX	11	11	11	11	11	
18	62030712	ARRUELA LISA Ø13XØ30X2.5 INOX	4	4	4	4	4	
19	62030716	ARRUELA LISA Ø17XØ38X2.5 INOX	4	4	4	4	4	
20	62030720	ARRUELA LISA Ø21XØ44X2.5 INOX	8	8	8	8	8	
21	62050414	ARRUELA DE PRESSAO B 16 DIN 127	4	4	4	4	4	

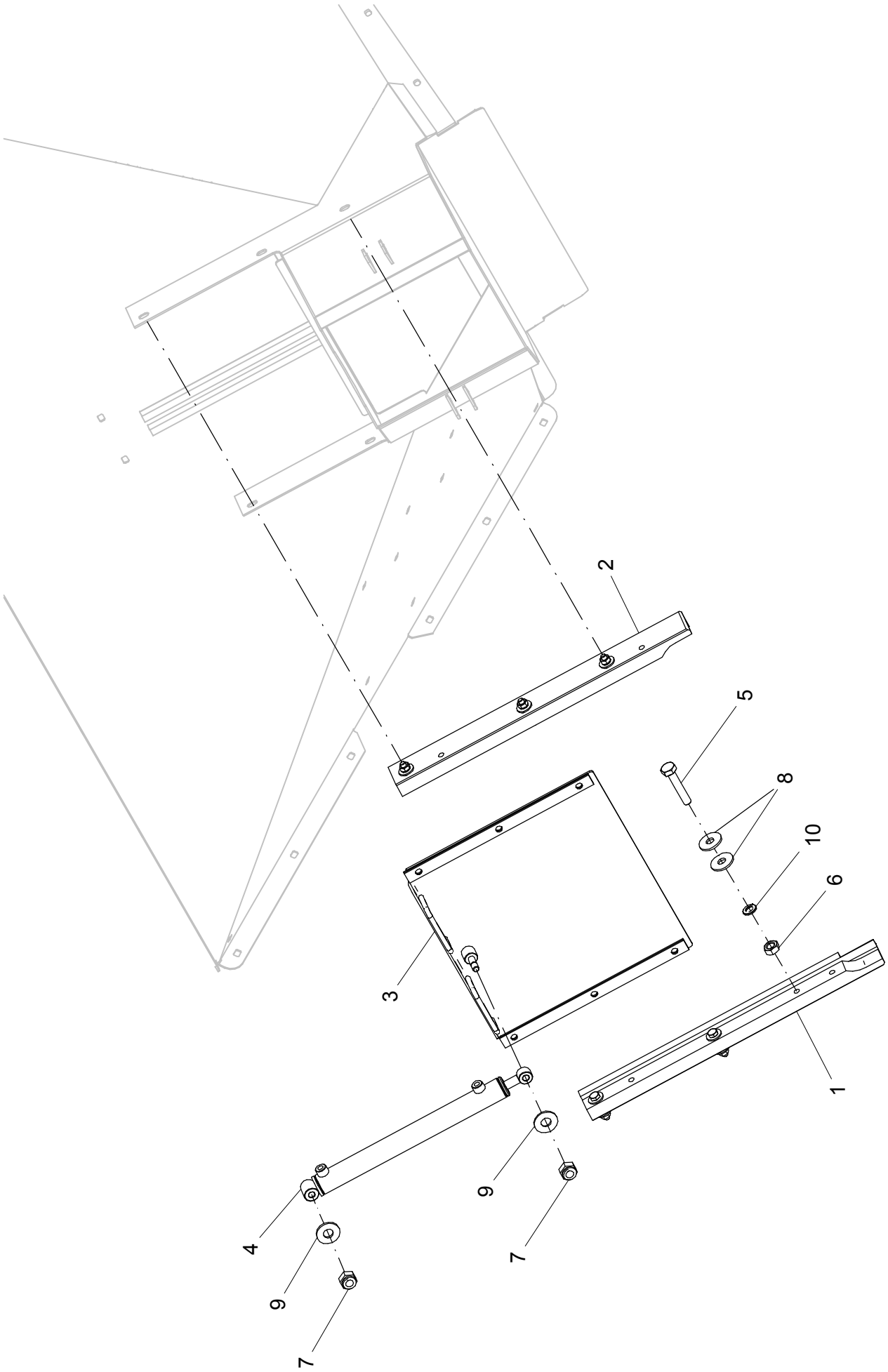
53 - TAMPA LATERAL TUBO DE DESCARGA



## 53 - TAMPA LATERAL DO TUBO DE DESCARGA

POS.	CÓDIGO	DENOMINAÇÃO	QUANTIDADE																	
			17.000						20.000						25.000					
			INOX		CARBONO		INOX		CARBONO		INOX		CARBONO		INOX		CARBONO			
1	21200015	GUIA	1		1		1		1		1		1		1		1			
2	21200016	GUIA	1		1		1		1		1		1		1		1			
3	21200023	PINO	1		1		1		1		1		1		1		1			
4	21200028	GUIA	1		1		1		1		1		1		1		1			
5	21217100	CILINDRO HIDRAULICO	1		1		1		1		1		1		1		1			
6	21221300	TAMPA INOX	1		---		---		1		---		---		1		---			
6	21217300	TAMPA CARBONO	---		1		---		1		---		1		---		1			
7	60117472	PARAFUSO CABEÇA SEXTAVADA M10X1.5X60 DIN 931 ZB	4		4		4		4		4		4		4		4			
8	60117492	PARAFUSO CABEÇA SEXTAVADA M10X1.5X55 DIN 931 ZB	2		2		2		2		2		2		2		2			
9	60477457	PARAFUSO FRANCES M10X1.5X25 DIN 603/13 INOX	2		2		2		2		2		2		2		2			
10	61110810	PORCA SEXTAVADA M10X1.5 DIN 934 ZB	6		6		6		6		6		6		6		6			
11	61430811	PORCA AUTO FRENANTE ALTA M10X1.5 DIN 982 INOX	2		2		2		2		2		2		2		2			
12	61431410	PORCA AUTO FRENANTE ALTA M16X2 DIN 982 8. ZB	1		1		1		1		1		1		1		1			
13	62010216	ARRUELA LISA A 17 DIN 9021 ZB	1		1		1		1		1		1		1		1			
14	62010710	ARRUELA LISA A 10.5 DIN 9021 INOX	2		2		2		2		2		2		2		2			
15	62030710	ARRUELA LISA Ø10.5XØ30X2.5 INOX	12		12		12		12		12		12		12		12			
16	62050508	ARRUELA DE PRESSAO B 10 DIN 127 ZB	6		6		6		6		6		6		6		6			
17	63141418	CONTRAPINO Ø 4 X 30 DIN 94 ZB	2		2		2		2		2		2		2		2			

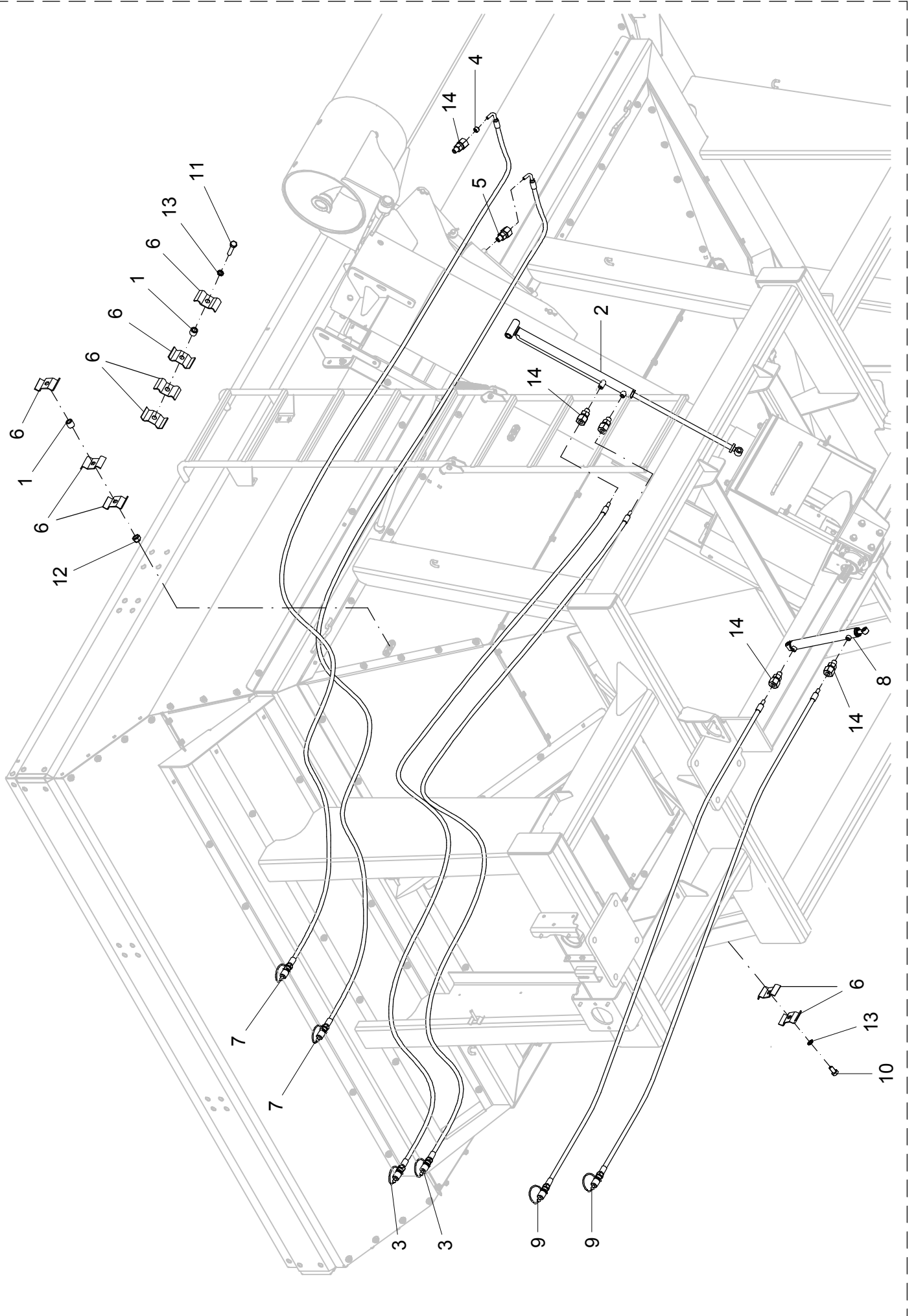
54 - TAMPA LATERAL DO TRANSFER



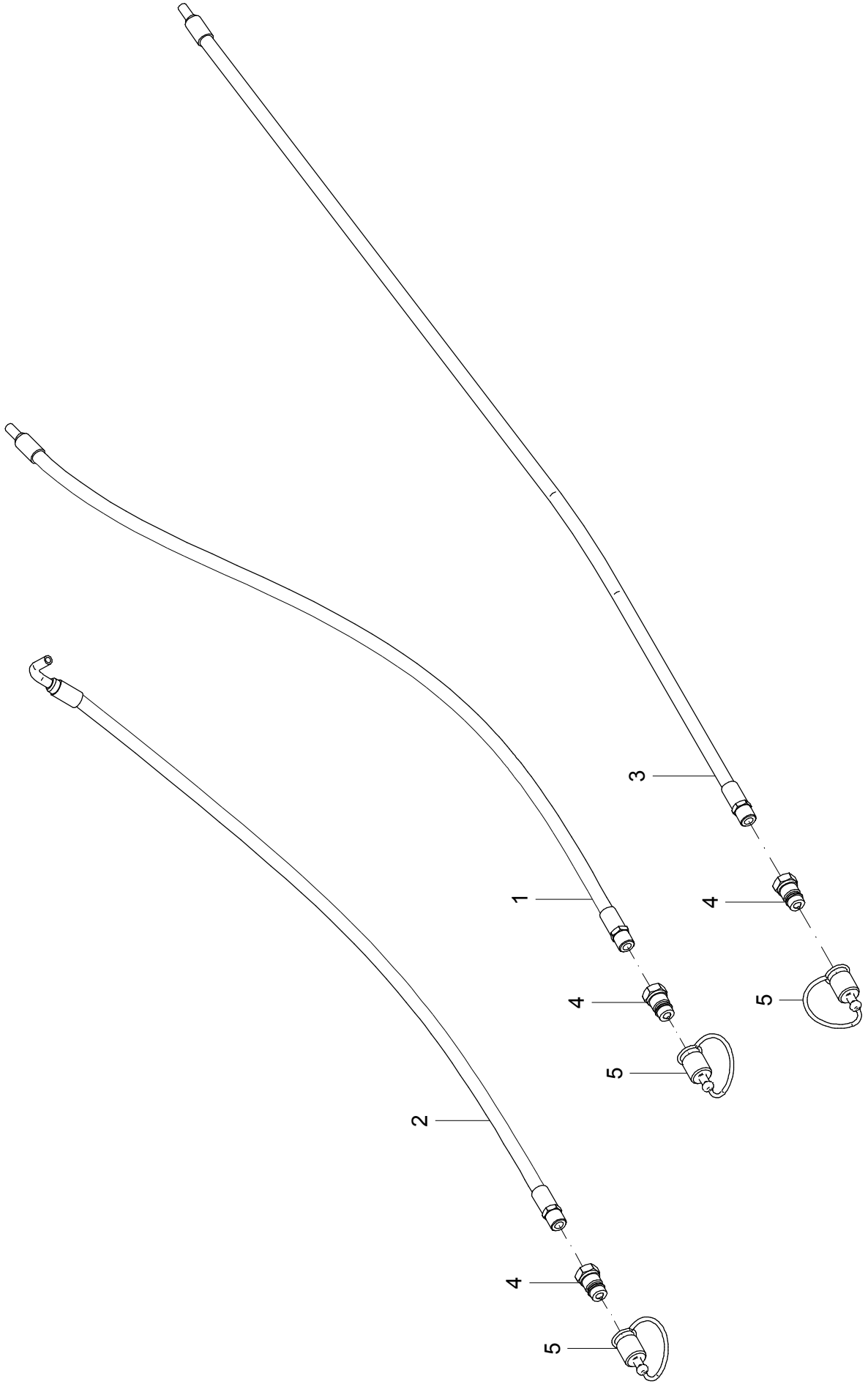
## 54 - TAMPA LATERAL DO TRANSFER

POS.	CÓDIGO	DENOMINAÇÃO	QUANTIDADE					
			17.000		20.000		25.000	
			INOX	CARBONO	INOX	CARBONO	INOX	CARBONO
1	21200017	GUIA	1	1	1	1	1	1
2	21200018	GUIA	1	1	1	1	1	1
3	21221200	TAMPA INOX	1	---	1	---	1	---
3	21216900	TAMPA CARBONO	---	1	---	1	---	1
4	26506600	CILINDRO HIDRÁULICO	1	1	1	1	1	1
5	60127492	PARAFUSO CABEÇA SEXTAVADA M10X1.5X55 DIN 931 INOX	6	---	6	---	6	---
5	60117492	PARAFUSO CABEÇA SEXTAVADA M10X1.5X55 DIN 931 ZB	---	6	---	6	---	6
6	61100814	PORCA SEXTAVADA M10X1.5 DIN 934 INOX	6	---	6	---	6	---
6	61110810	PORCA SEXTAVADA M10X1.5 DIN 934 ZB	---	6	---	6	---	6
7	61411010	PORCA AUTO FRENANTE ALTA M12X1.75 DIN 982 ZB	1	1	1	1	1	1
8	62030710	ARRUELA LISA Ø10.5XØ30X2.5 INOX	12	12	12	12	12	12
9	62030712	ARRUELA LISA Ø13XØ30X2.5 INOX	1	1	1	1	1	1
10	62050708	ARRUELA DE PRESSAO B 10 DIN 127 INOX	6	6	6	6	6	6

55 - MANGUEIRAS DE ACIONAMENTO DO TUBO DE DESCARGA

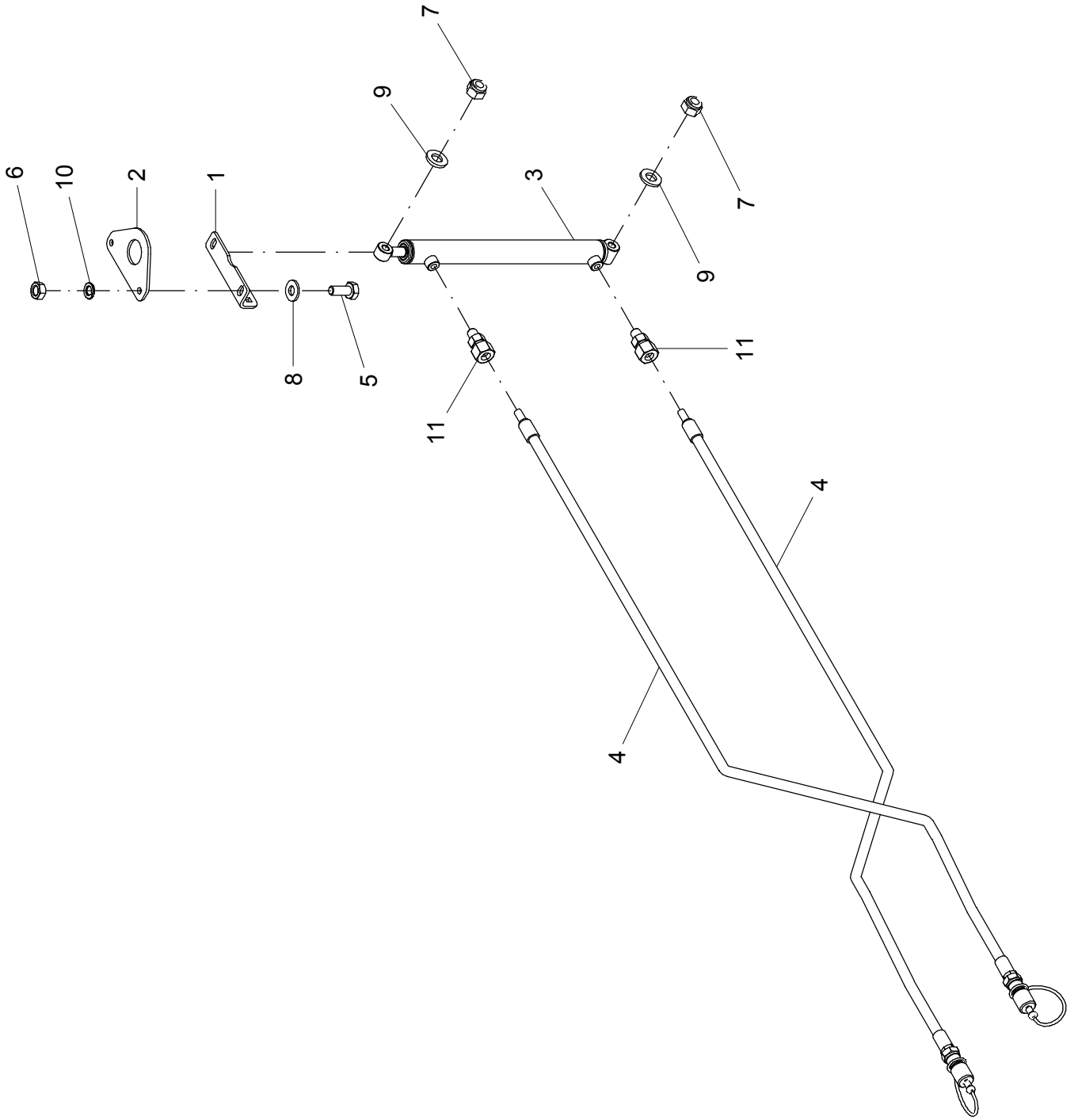




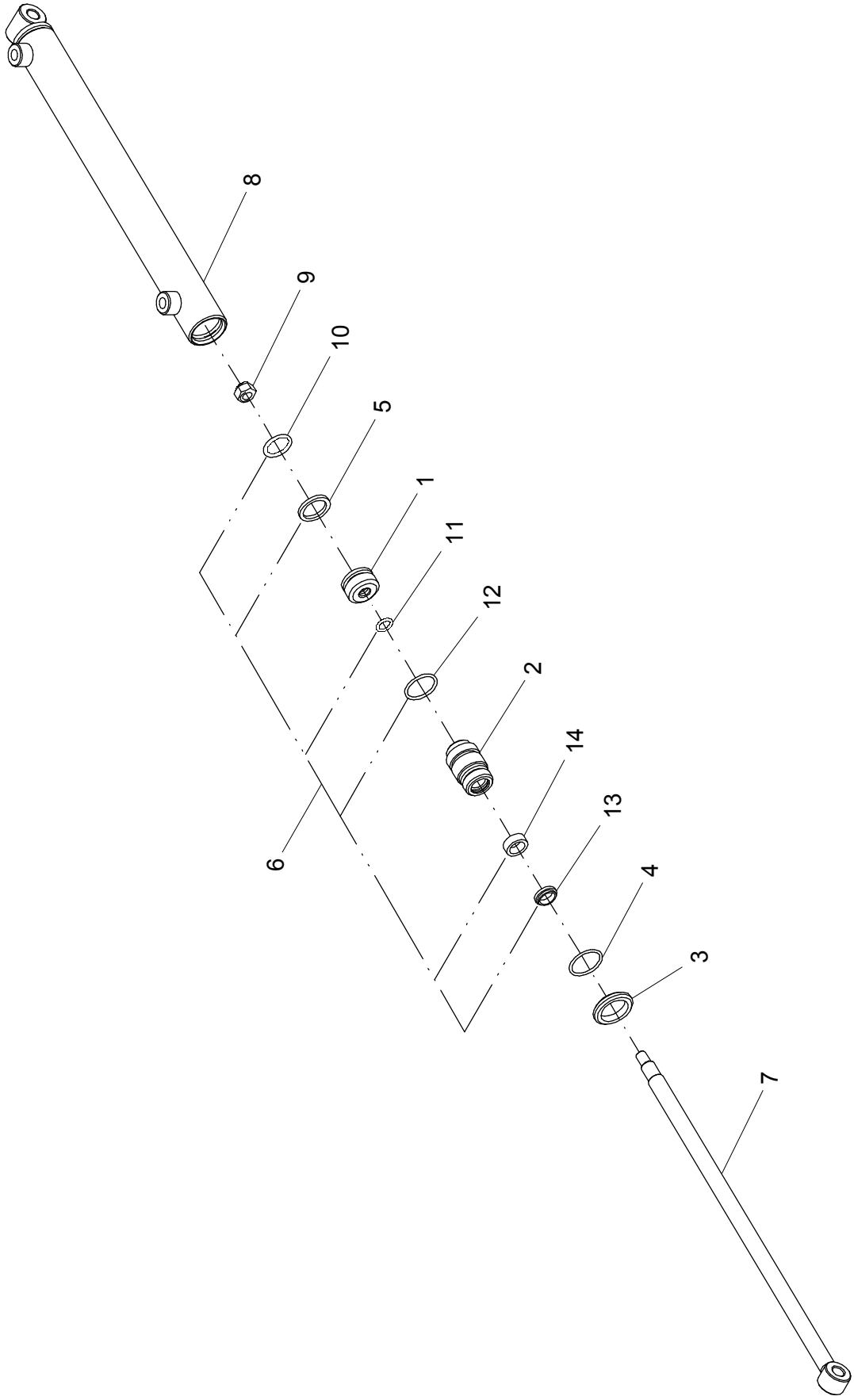


56 - MANGUEIRAS DO TANKER MAGNU

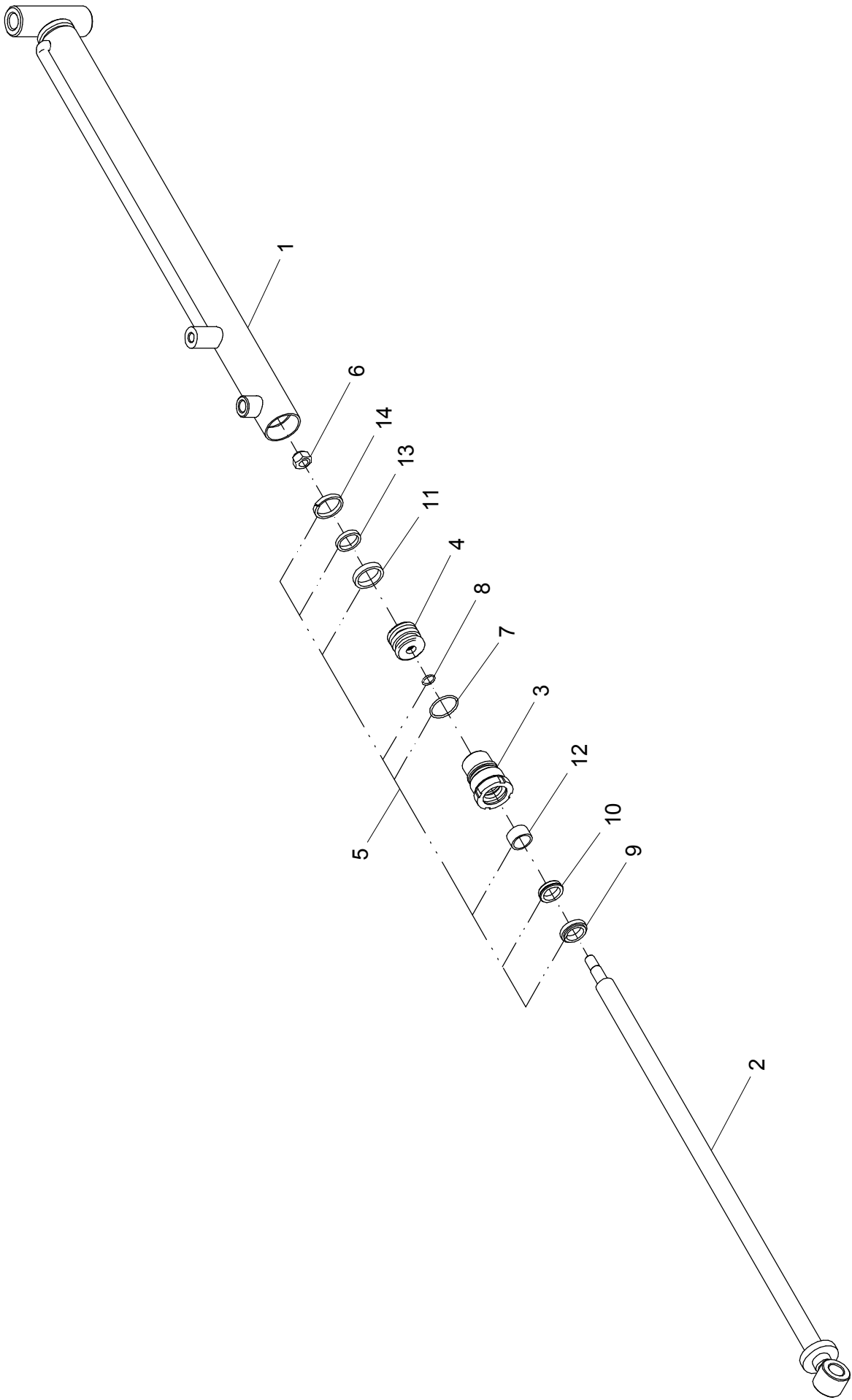
POS.	CÓDIGO	DENOMINAÇÃO	QUANTIDADE		
			21275600	26207400	26510100
1	21275700	MANGUEIRA	1	---	---
2	26207500	MANGUEIRA	---	1	---
3	26510200	MANGUEIRA	---	---	1
4	72034003	ENGATE RAPIDO MACHO ERM-AM 1/2" NPT	1	1	1
5	72068101	TAMPAO FEMEA 5657-10 (AEROQUJIP)	1	1	1



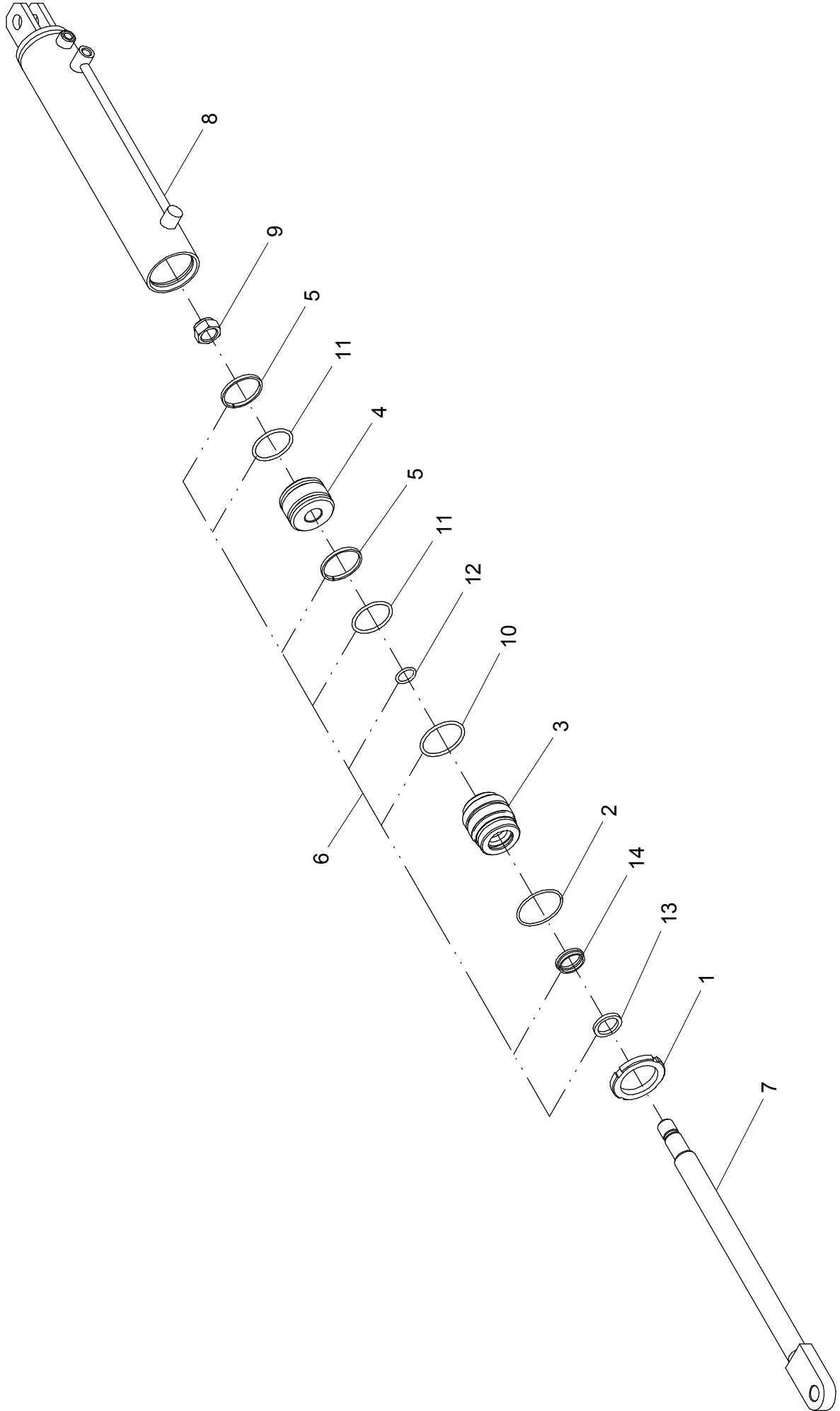






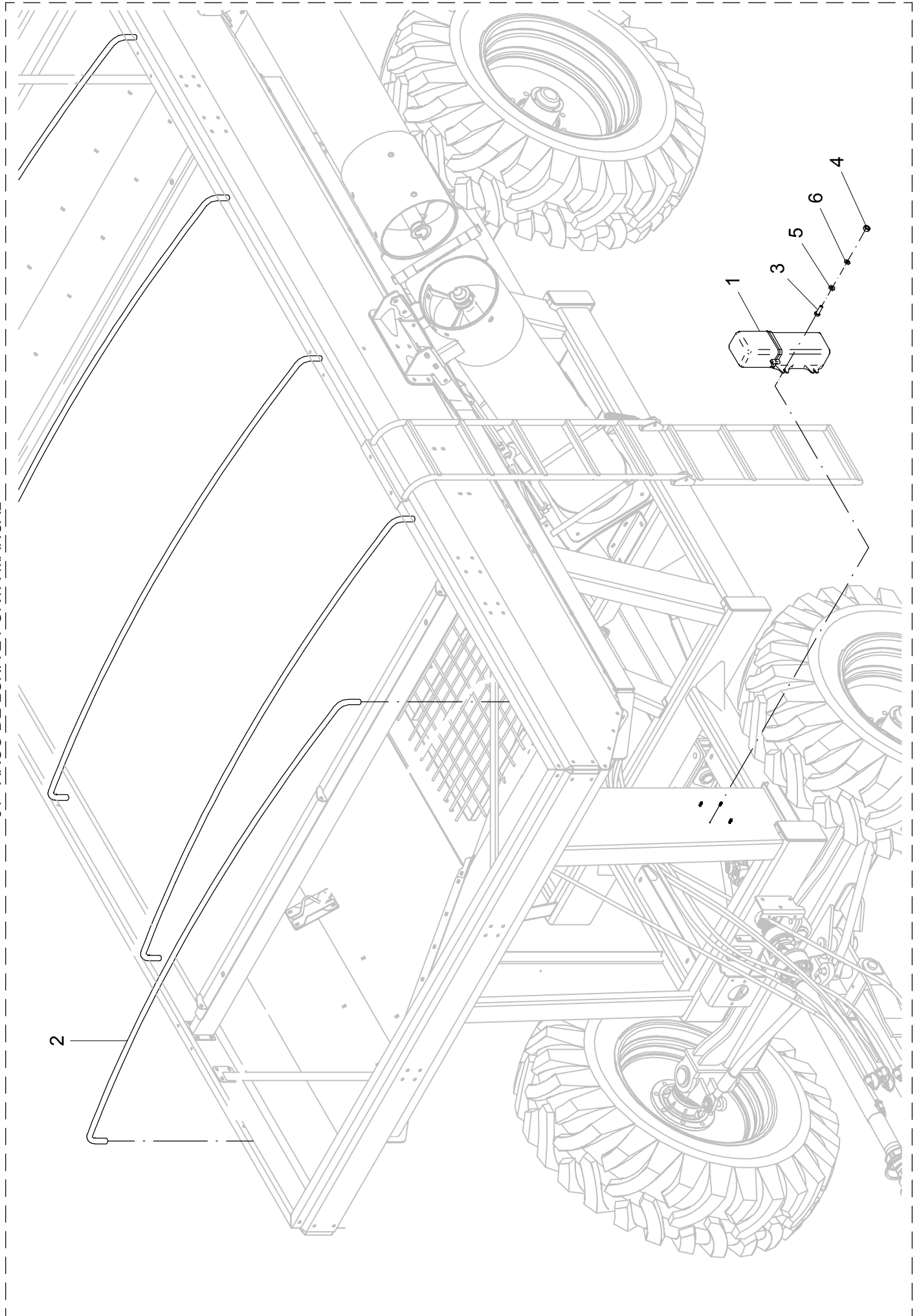




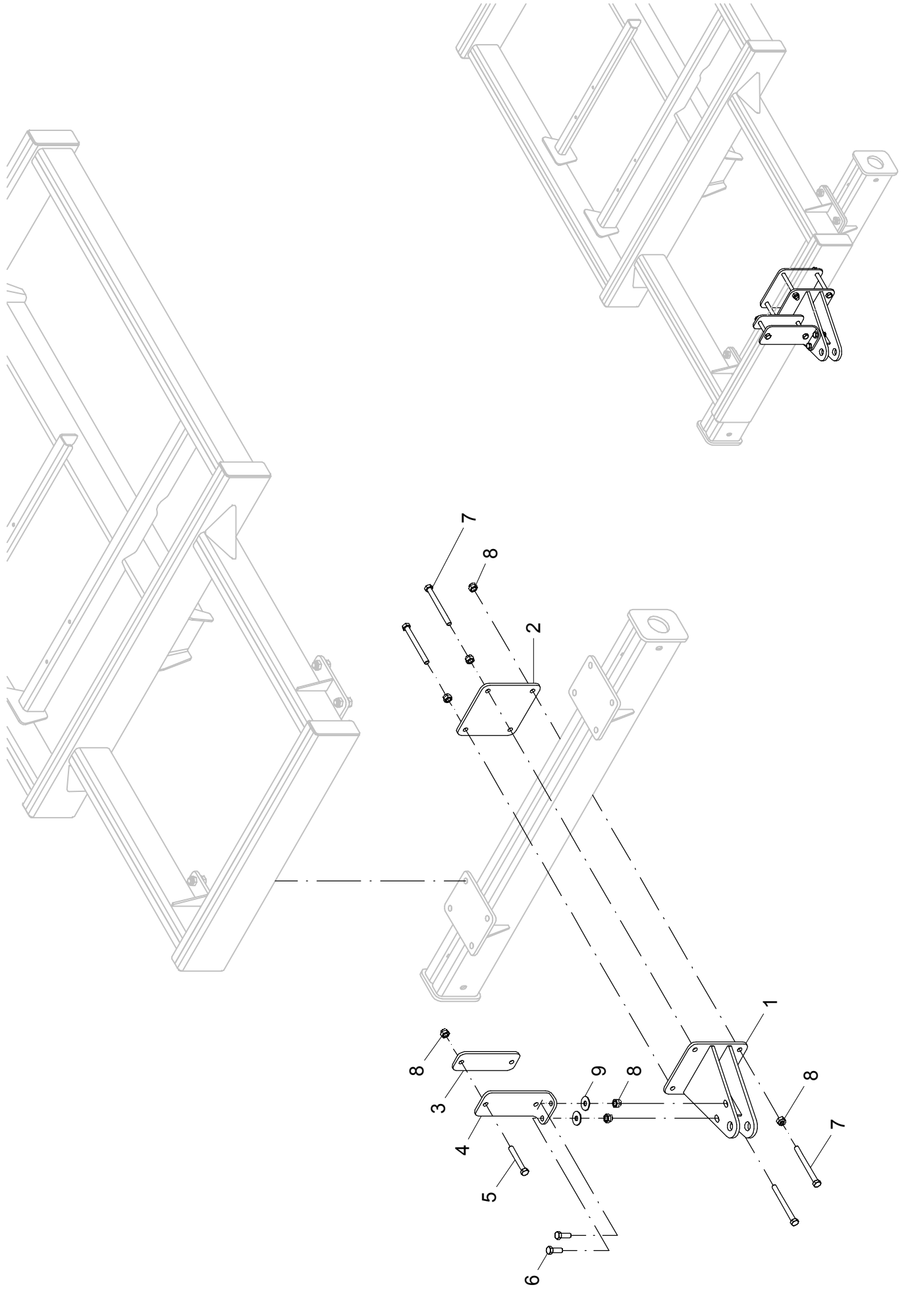


60 – CILINDRO HIDRÁULICO - 21603700				
POS.	CÓDIGO	DENOMINAÇÃO	QTDE.	
1	00800301	PORCA	1	
2	00800302	ANEL	1	
3	00800303	GUIA	1	
4	00800304	ÊMBOLO	1	
5	00800305	ANEL	2	
6	00804200	KIT DE REPAROS	1	
7	21603800	HASTE SOLDADA	1	
8	21603900	CAMISA SOLDADA	1	
9	61511701	PORCA AUTO FREN. 0 7/8" NF	1	
10	72066605	ANEL O-RING 2-228 (PARKER)	1	
11	72066606	ANEL O-RING 2-226 (PARKER)	2	
12	72066607	ANEL O-RING 2-119 (PARKER)	1	
13	72066702	ANEL RASPADOR D-1187 (PARKER)	1	
14	72066802	GAXETA 18701 187-312	1	

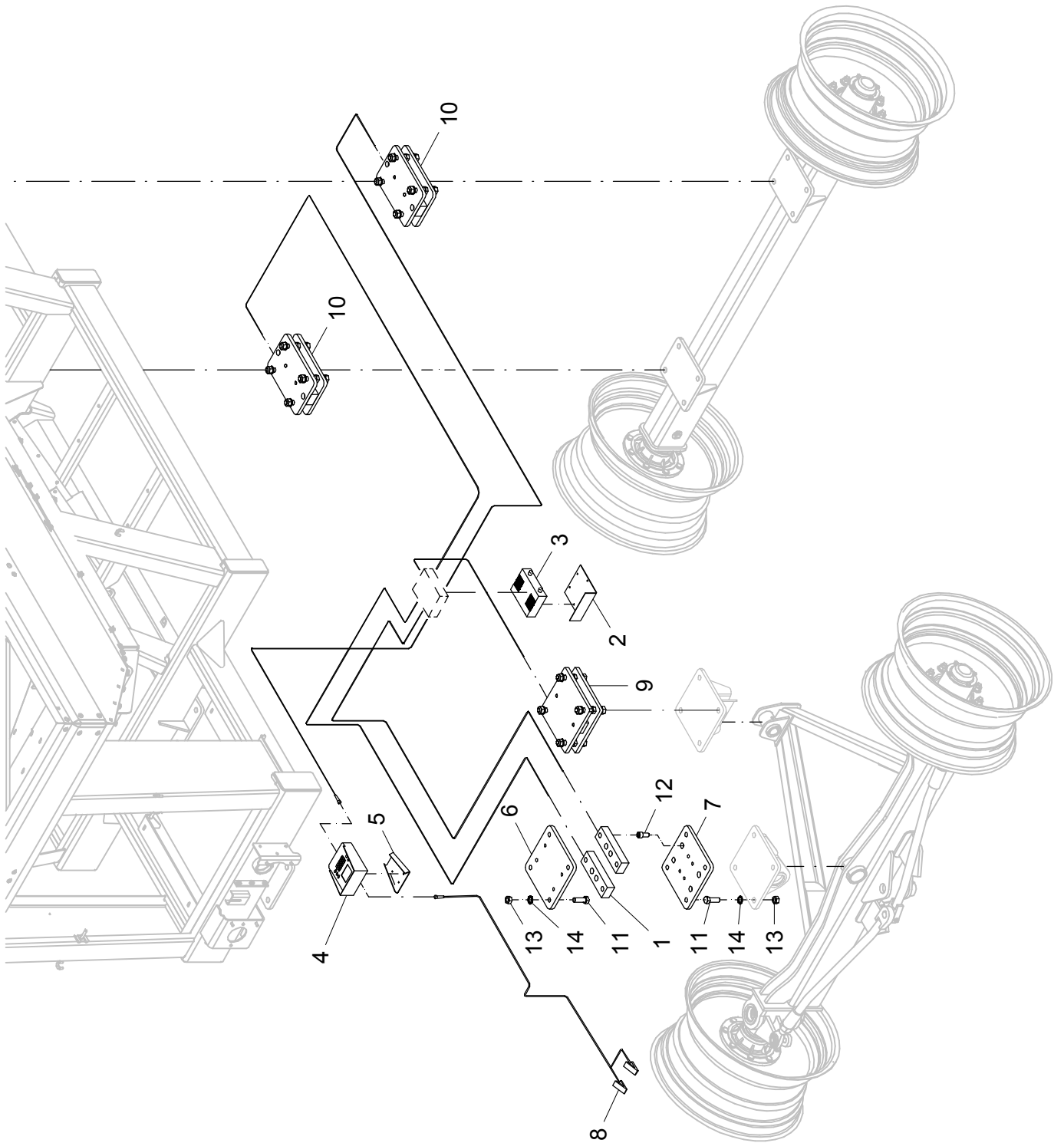
60 – CILINDRO HIDRÁULICO - 21603700				
POS.	CÓDIGO	DENOMINAÇÃO	QTDE.	



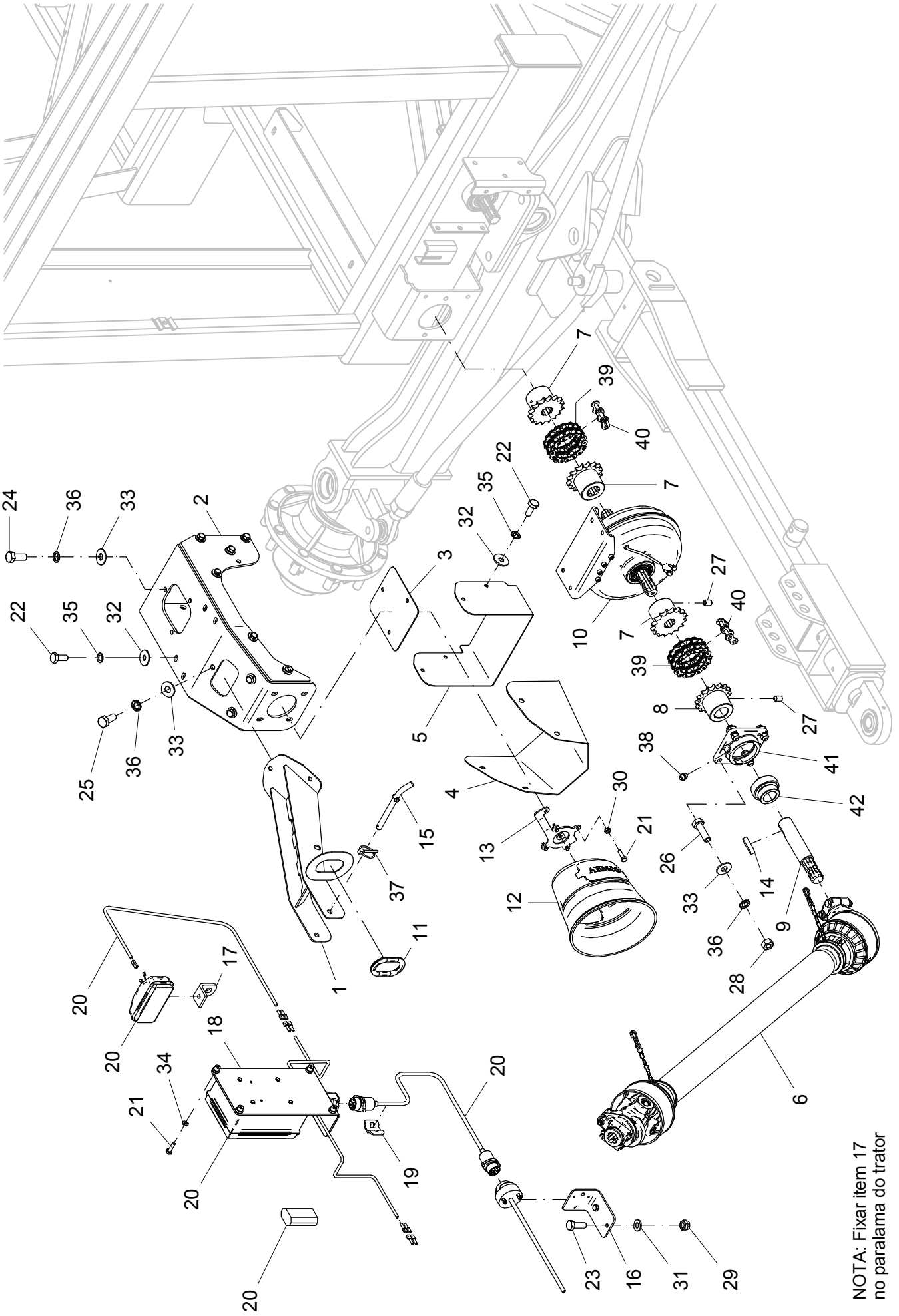






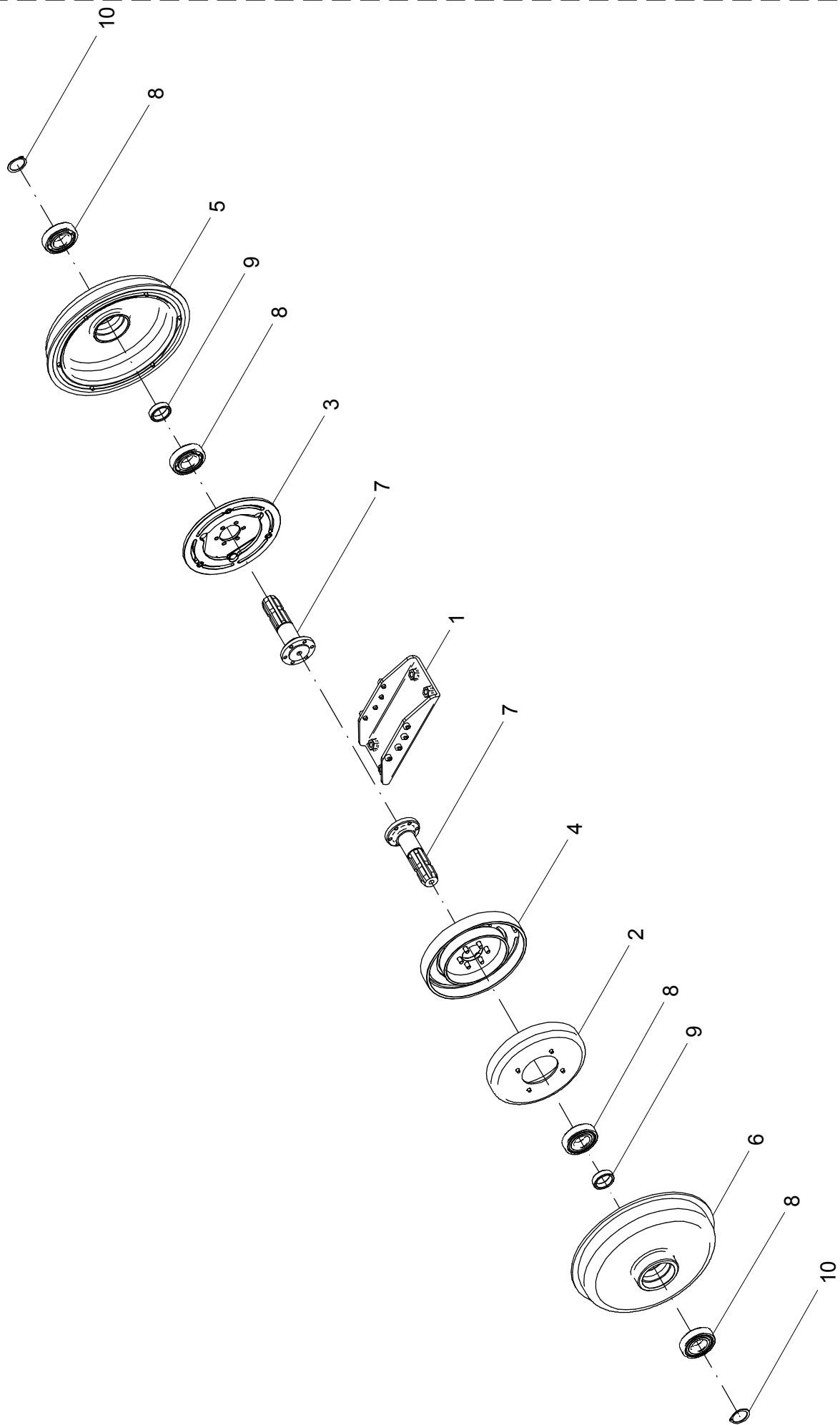




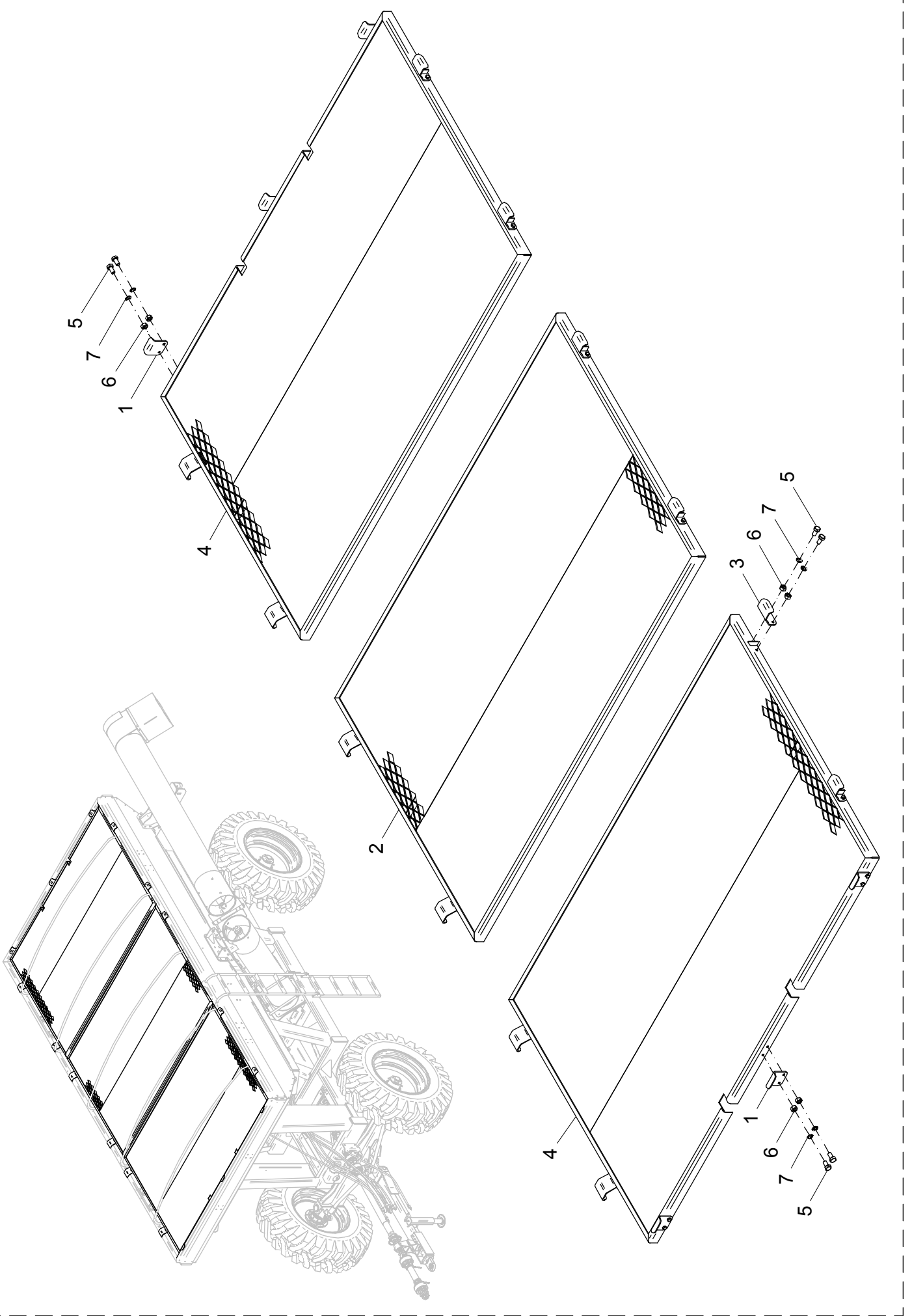


NOTA: Fixar item 17 no paralamo do trator



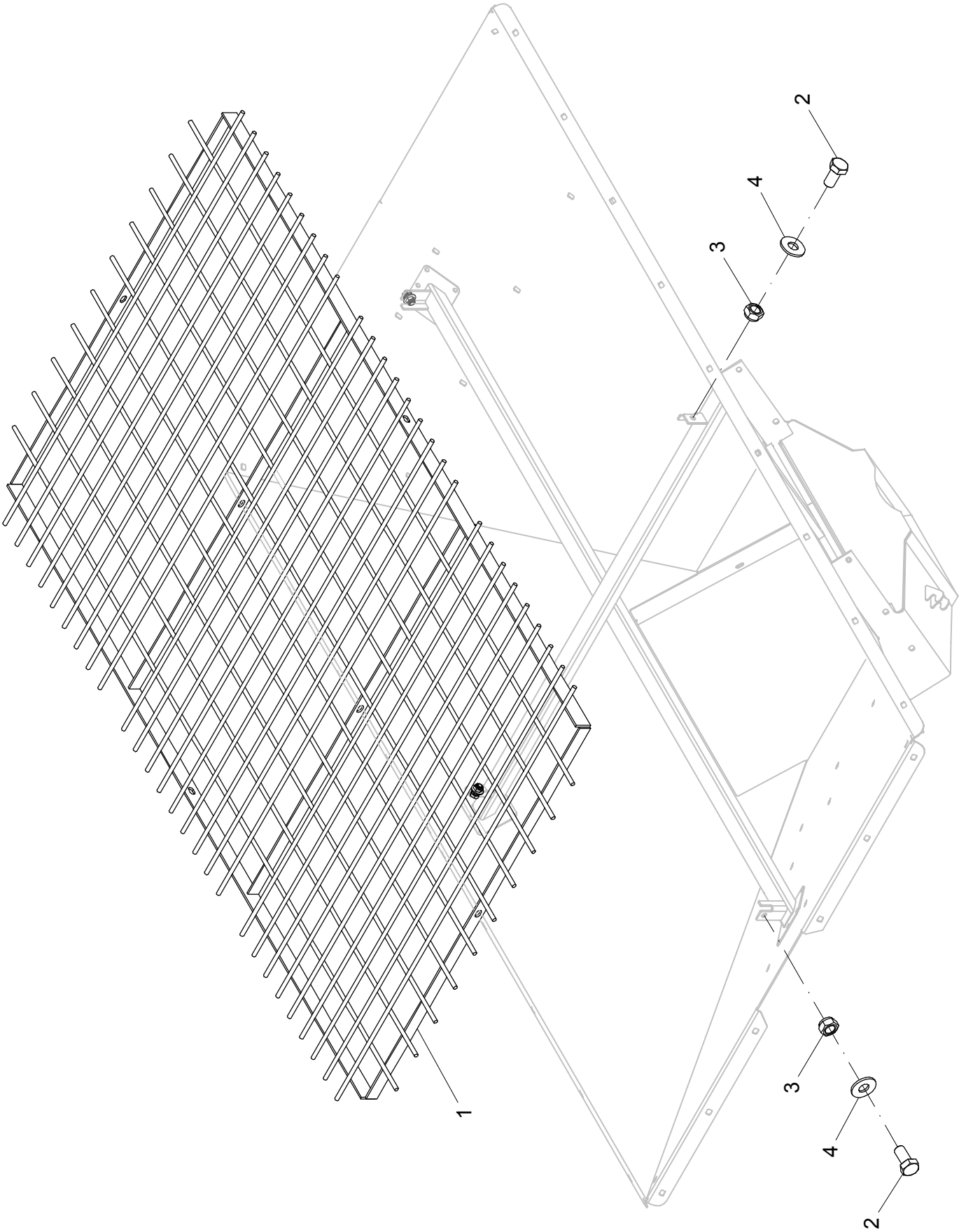




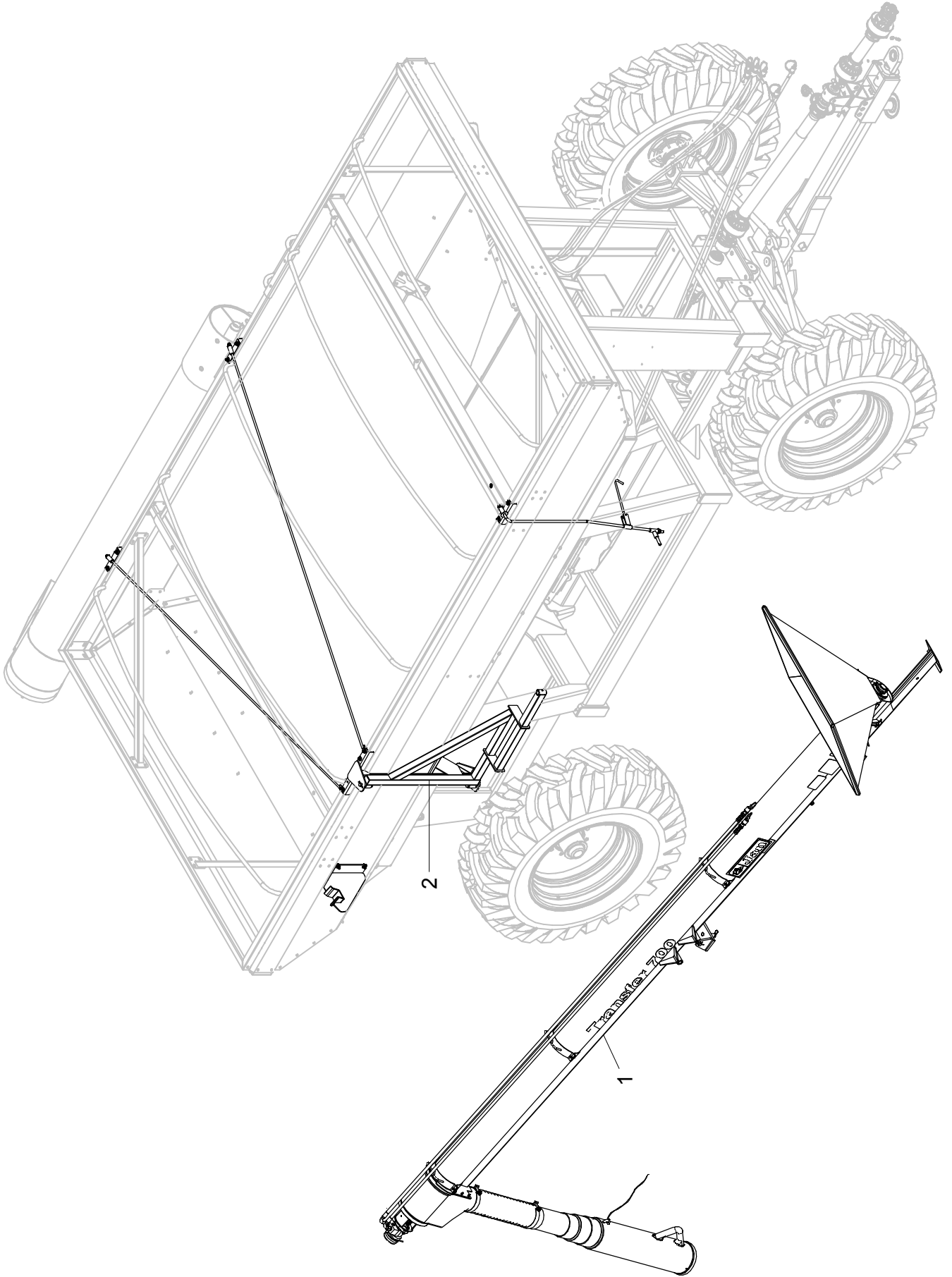


66 – GRADE DE PROTEÇÃO PARA ADUBO (OPCIONAL)

POS.	CÓDIGO	DENOMINAÇÃO	QUANTIDADE			
			17.000	20.000	25.000	
			21114200	21114800	21114800	21114800
1	21114202	SUPORTE	6	6	6	6
2	21114400	GRADE ADUBO TANKER MAGNU 17.000	1	---	---	---
2	21115000	GRADE ADUBO TANKER MAGNU 20.000 E 25.000	---	1	1	1
3	21114700	SUPORTE	12	12	12	12
4	21114900	GRADE PROTECAO PARA ADUBO TANKER MAGNU	2	2	2	2
5	60117658	PARAFUSO CABEÇA SEXTAVADA M12X1.75X25 DIN 933 ZB	36	36	36	36
6	61111010	PORCA SEXTAVADA M12X1.75 DIN 934 ZB	36	36	36	36
7	62050510	ARRUELA DE PRESSAO B 12 DIN 127 ZB	36	36	36	36

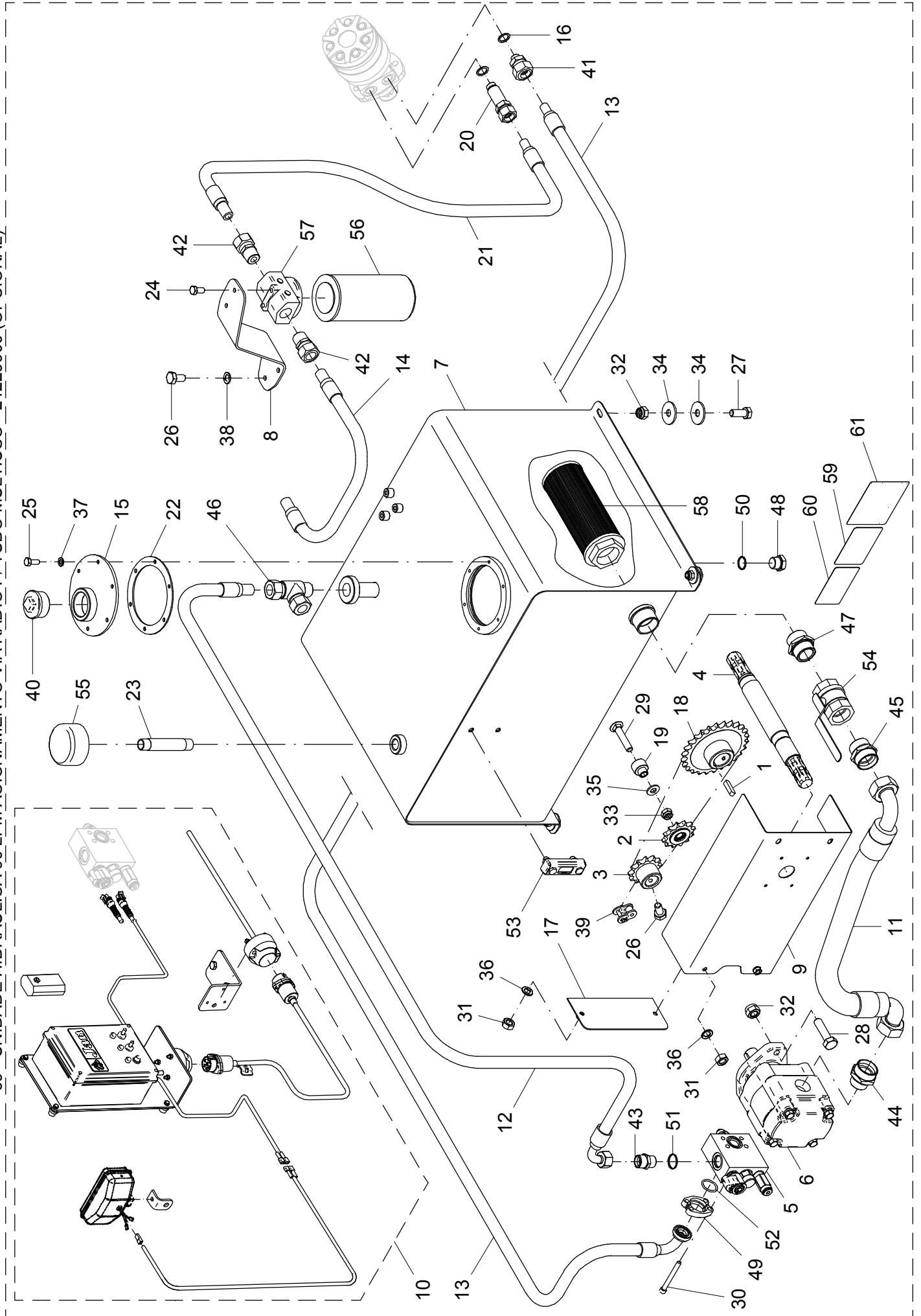






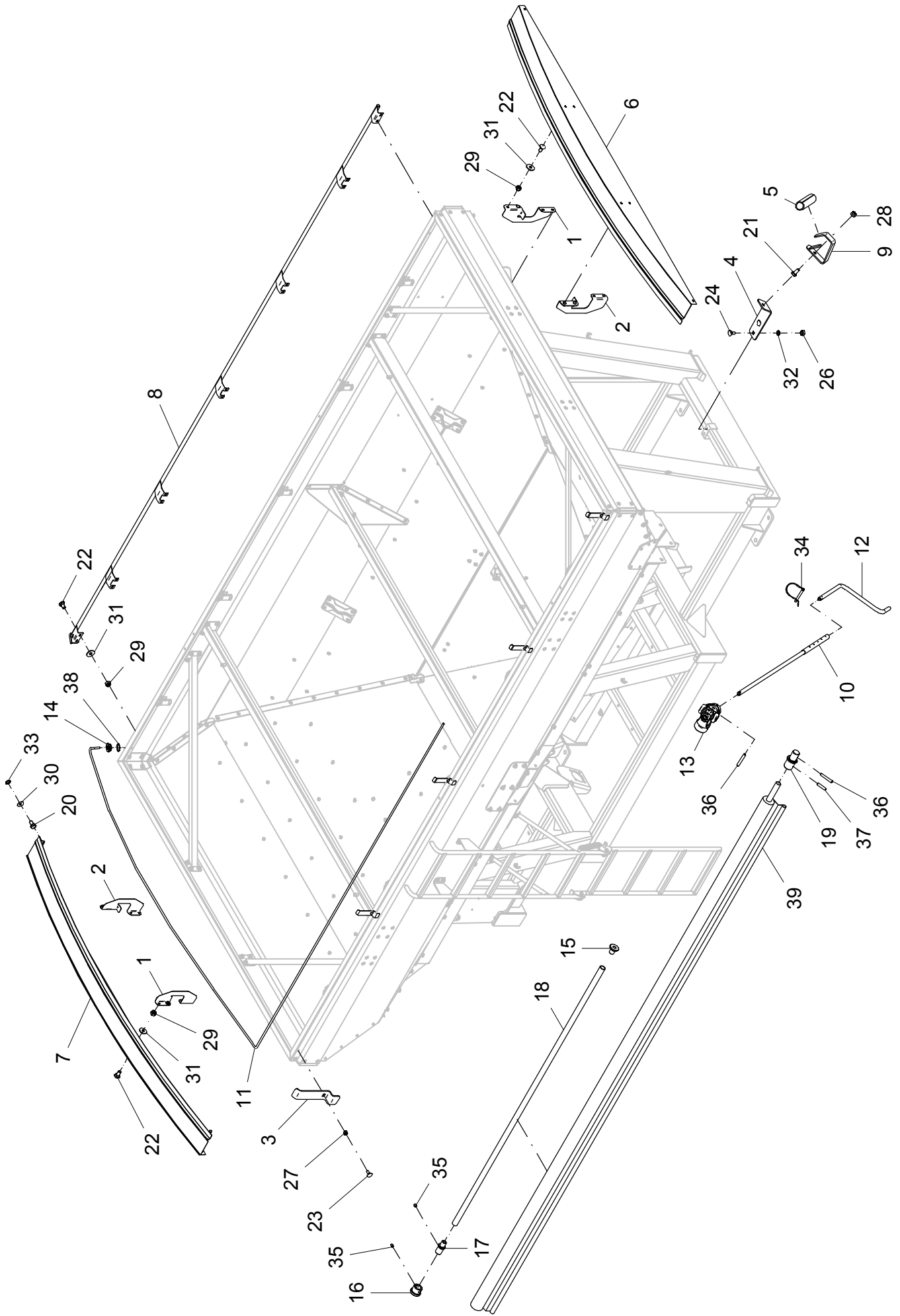


69 - UNIDADE HIDRÁULICA 90 LPM ACIONAMENTO VIA RÁDIO P/ TUBO MULTIUSO - 21229900 (OPCIONAL)





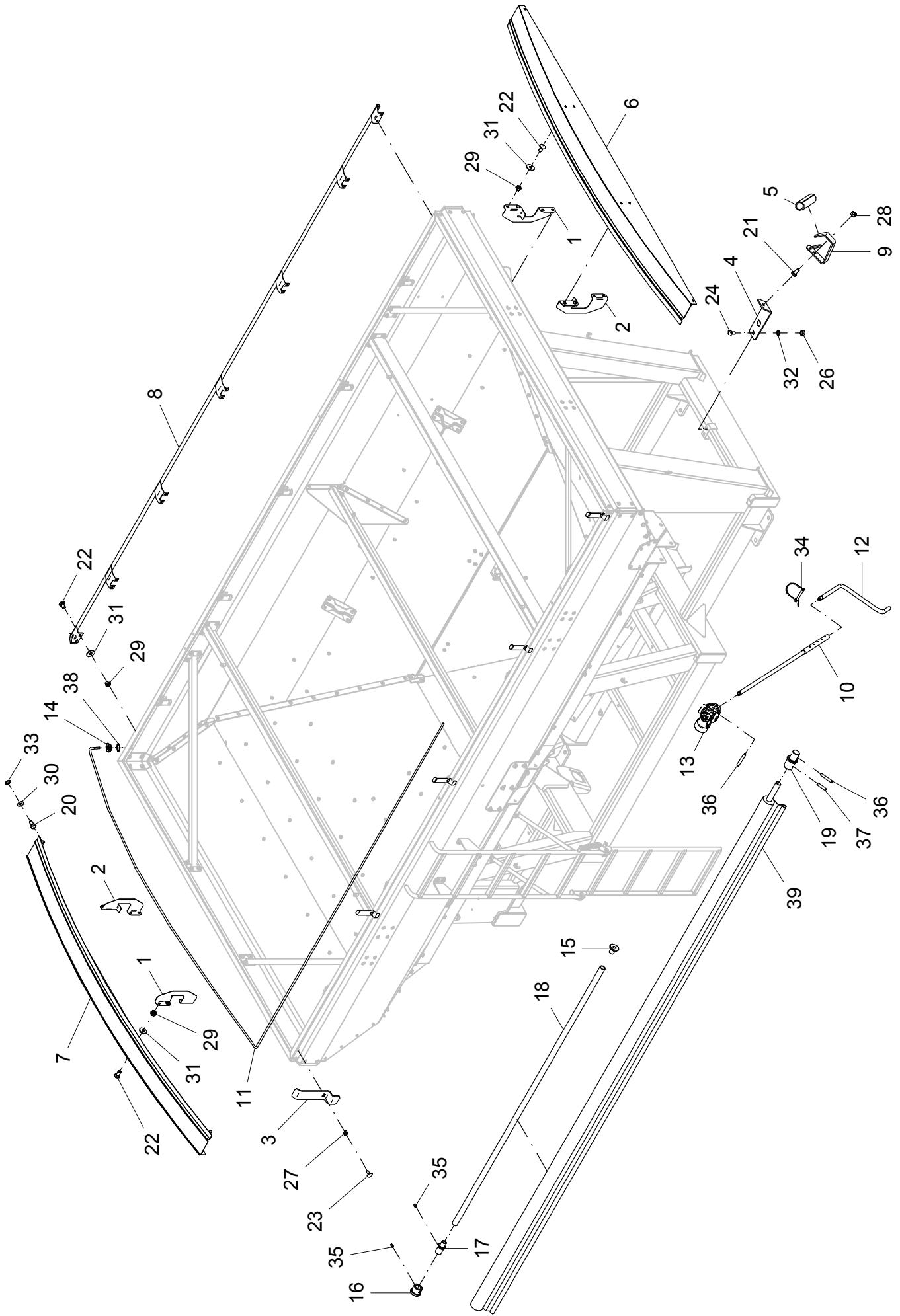
70 - KIT LONA DE COBERTURA (OPCIONAL)



70 – KIT LONA DE COBERTURA

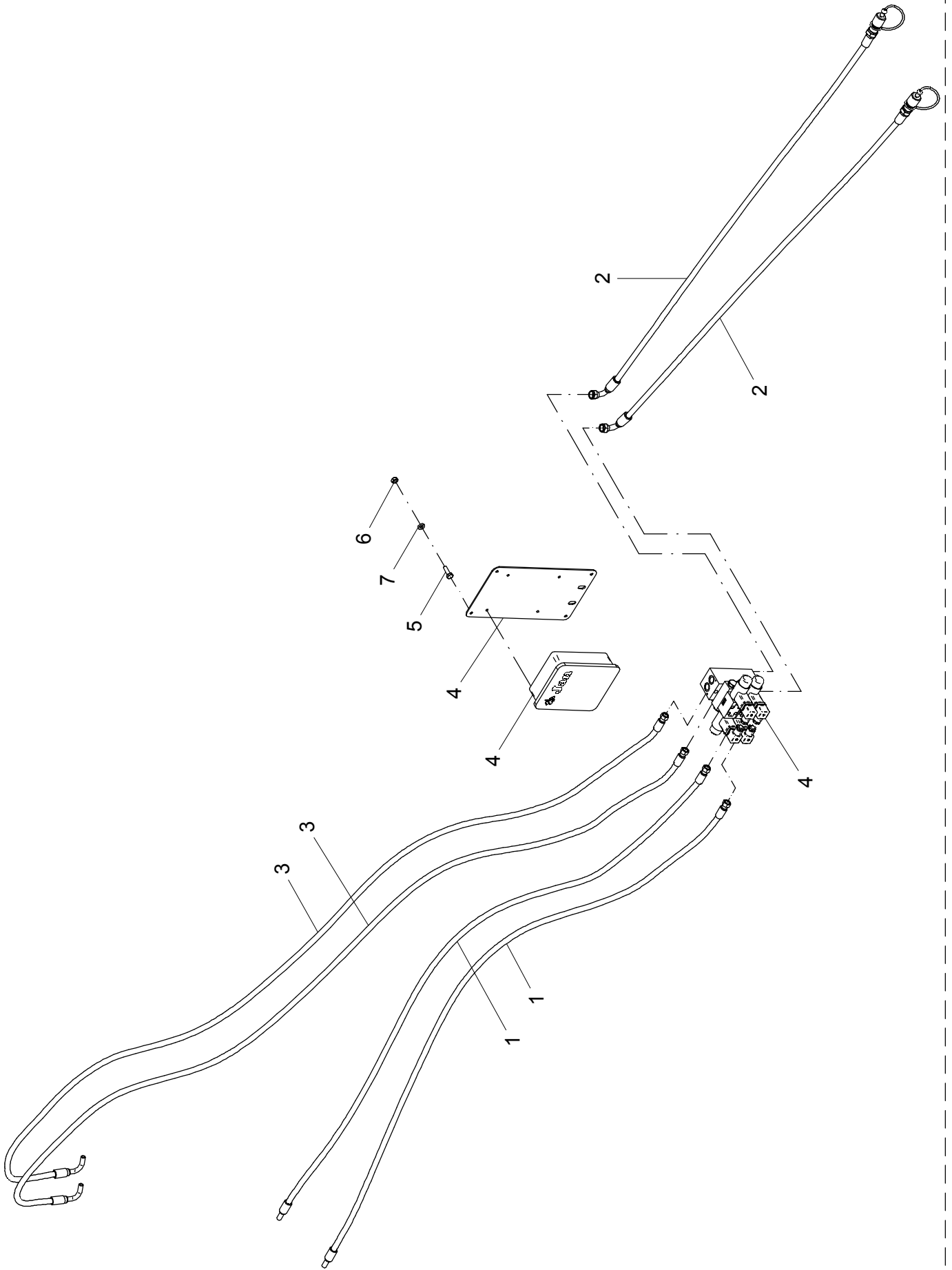
POS.	CÓDIGO	DENOMINAÇÃO	QUANTIDADE											
			17.000		20.000		25.000							
			INOX	CARBONO	INOX	CARBONO	INOX	CARBONO						
1	21105001	FIXADOR DIREITO	2	---	2	---	---	---	---	---	---	---		
1	21105701	FIXADOR DIREITO	---	2	---	2	---	---	---	---	---	---		
1	21260801	FIXADOR DIREITO	---	---	---	---	---	2	---	---	---	---		
1	21261301	FIXADOR DIREITO	---	---	---	---	---	---	---	---	---	2		
2	21105002	FIXADOR ESQUERDO	2	---	2	---	---	---	---	---	---	---		
2	21105702	FIXADOR ESQUERDO	---	2	---	2	---	---	---	---	---	---		
2	21260802	FIXADOR ESQUERDO	---	---	---	---	---	---	---	2	---	---		
2	21261302	FIXADOR ESQUERDO	---	---	---	---	---	---	---	---	---	2		
3	21105003	APOIO	5	5	5	5	5	5	5	5	5	5		
3	28626003	APOIO	---	---	---	---	---	---	---	---	---	5		
4	21105004	EXTENSAO	1	1	1	1	1	1	1	1	1	1		
5	21105005	PROTETOR	1	1	1	1	1	1	1	1	1	1		
6	21105100	FECHAMENTO TRASEIRO INOX	1	---	1	---	---	---	1	---	---	---		
6	21105800	PROTECAO TRASEIRA CARBONO	---	1	---	1	---	---	1	---	---	1		
7	21105200	FECHAMENTO FRONTAL INOX	1	---	1	---	---	---	1	---	---	---		
7	21105900	PROTECAO FRONTAL CARBONO	---	1	---	1	---	---	1	---	---	1		
8	21105300	FIXADOR LONA INOX (TANKER MAGNU 17.000)	1	---	---	---	---	---	---	---	---	---		
8	21106000	FIXADOR LONA CARBONO DESM. (TANKER MAGNU 17.000)	---	1	---	1	---	---	---	---	---	---		
8	21260300	FIXADOR LONA INOX (TANKER MAGNU 20.000)	---	---	1	---	---	---	---	---	---	---		
8	21260600	FIXADOR LONA CARBONO DESM. (TANKER MAGNU 20.000)	---	---	---	---	---	---	1	---	---	---		
8	21260900	FIXADOR LONA INOX (TANKER MAGNU 25.000)	---	---	---	---	---	---	---	1	---	---		
8	21261400	FIXADOR LONA CARBONO DESM. (TANKER MAGNU 25.000)	---	---	---	---	---	---	---	---	---	1		
9	21106800	ENGATE	1	1	1	1	1	1	1	1	1	1		
10	21106900	HASTE INFERIOR	1	1	1	1	1	1	1	1	1	1		
10	21261200	HASTE INFERIOR	---	---	---	---	---	---	---	---	---	1		
11	21310805	CORDA ELASTICA	1	1	1	1	1	1	1	1	1	1		
12	21310901	MANIVELA	1	1	---	---	---	---	---	---	---	1		
12	28626701	MANIVELA	---	---	1	---	---	---	1	---	---	---		
13	21311100	JUNTA ( AEMCO CC 16104161 )	1	1	1	1	1	1	1	1	1	1		
14	24571802	BUCHA	1	1	1	1	1	1	1	1	1	1		

70 - KIT LONA DE COBERTURA (OPCIONAL)



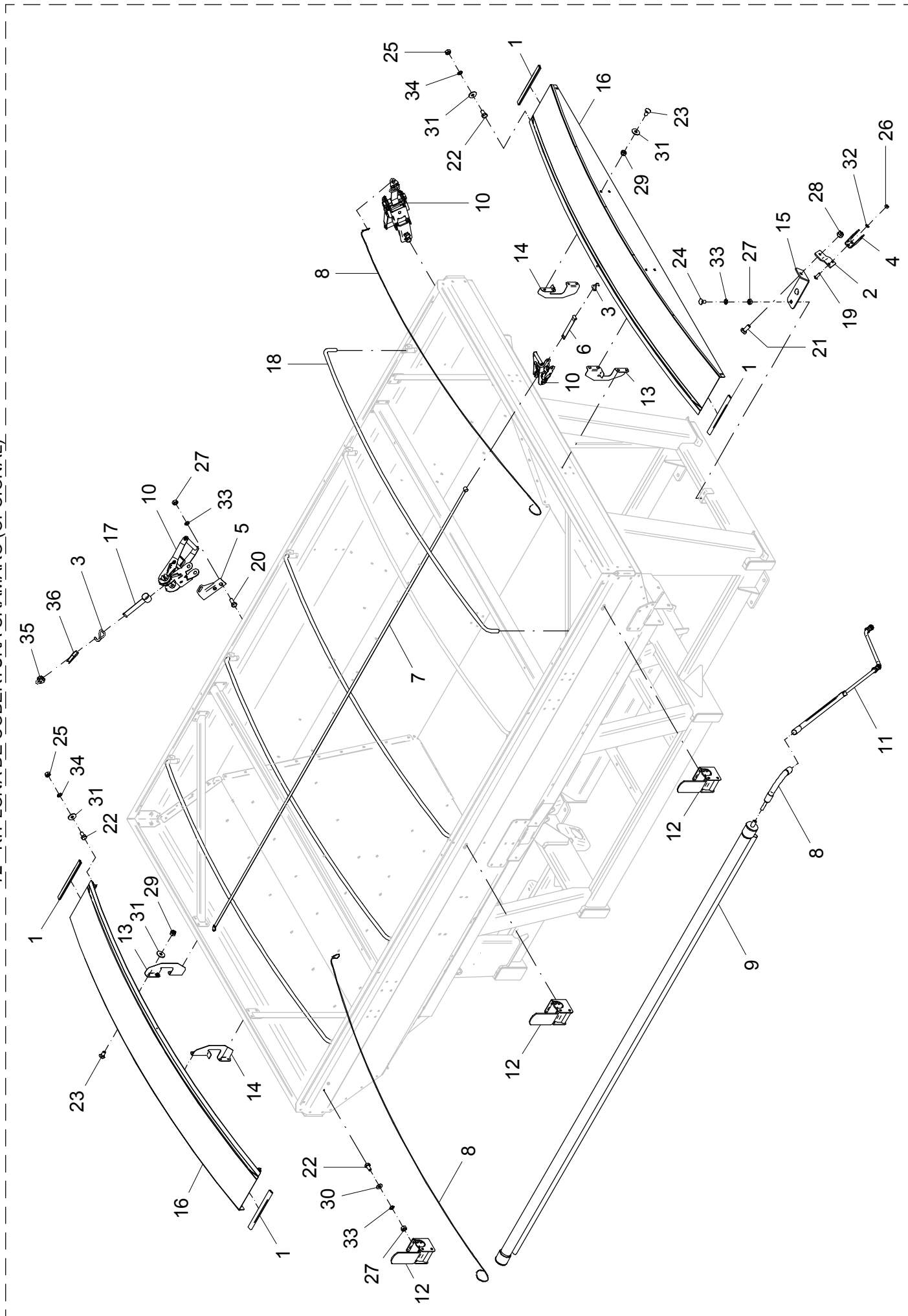
70 – KIT LONA DE COBERTURA

POS.	CÓDIGO	DENOMINAÇÃO	QUANTIDADE											
			17.000			20.000			25.000					
			INOX	CARBONO	INOX	CARBONO	INOX	CARBONO	INOX	CARBONO				
15	28626005	GUIA	1	1	1	1	1	1	1	1	1	1	1	
16	28626006	GUIA EXTERNO	1	1	1	1	1	1	1	1	1	1	1	
17	28626007	GUIA INTERNO	1	1	1	1	1	1	1	1	1	1	1	
18	28626008	TUBO	1	1	1	1	1	1	1	1	1	1	1	
19	28626009	EIXO	1	1	---	---	---	---	---	---	---	---	---	
19	20908301	EIXO	---	---	1	1	1	1	1	1	1	1	1	
19	21261001	EIXO	---	---	---	---	---	---	---	---	---	---	---	
20	60127406	PARAF. CAB. SEXT. M10X1.5X20 DIN 933 INOX	4	---	4	4	4	4	4	4	4	4	4	
21	60177454	PARAF. CAB. SEXT. M10X1.5X20 DIN 933 8.8 ZB	1	5	1	1	1	1	1	1	1	1	1	
22	60417455	PARAF. FRANCES M10X1.5X20 DIN 603/13 INOX	10	---	10	10	10	10	10	10	10	10	10	
23	60437254	PARAF. FRANCES M8X1.25X20 DIN603/13 5.8ZB	5	5	5	5	5	5	5	5	5	5	5	
24	60437454	PARAF. FRANCES M10X1.5X20 DIN603/13 5.8ZB	2	12	2	2	2	2	2	2	2	2	2	
25	61100814	PORCA SEXT. M10X1.5 DIN 934 INOX	4	---	4	4	4	4	4	4	4	4	4	
26	61110810	PORCA SEXT. M10X1.5 DIN 934 ZB	2	8	2	2	2	2	2	2	2	2	2	
27	61410610	PORCA AUTO FREN. ALTA M8X1.25 DIN 982 ZB	5	5	5	5	5	5	5	5	5	5	5	
28	61430810	PORCA AUTO FREN. ALTA M10X1.5 DIN 982 ZB	1	9	1	1	1	1	1	1	1	1	1	
29	61430811	PORCA AUTO FREN. ALTA M10X1.5 DIN 982 INOX	10	---	10	10	10	10	10	10	10	10	10	
30	62030708	ARRUELA LISA Ø8.5XØ24X1.5 INOX	4	4	4	4	4	4	4	4	4	4	4	
31	62030710	ARRUELA LISA Ø10.5XØ30X2.5 INOX	10	10	10	10	10	10	10	10	10	10	10	
32	62050508	ARRUELA DE PRESSAO B 10 DIN 127 ZB	2	8	2	2	2	2	2	2	2	2	2	
33	62050708	ARRUELA DE PRESSAO B 10 DIN 127 INOX	4	---	4	4	4	4	4	4	4	4	4	
34	63011310	PINO C/ARGOLA ESPECIAL Ø 1/4 X 2" ZB	1	1	1	1	1	1	1	1	1	1	1	
35	63022208	PINO ELASTICO Ø 8 X 10 DIN 1481 (RENO)	2	2	2	2	2	2	2	2	2	2	2	
36	63022226	PINO ELASTICO Ø 8 X 50 DIN 1481 (RENO)	2	2	2	2	2	2	2	2	2	2	2	
37	63022246	PINO ELASTICO Ø 8 X 36 DIN 1481 (RENO)	1	1	1	1	1	1	1	1	1	1	1	
38	64010102	ANEL ELASTICO E-25 DIN 471	1	1	1	1	1	1	1	1	1	1	1	
39	21106700	LONA DE COBERTURA 17.000	1	1	---	---	---	---	---	---	---	---	---	
39	20908400	LONA DE COBERTURA 20.000	---	---	1	1	1	1	1	1	1	1	1	
39	21261100	LONA DE COBERTURA 25.000	---	---	---	---	---	---	---	---	---	---	---	





72 - KIT LONA DE COBERTURA CARAMARO (OPCIONAL)



72 – KIT LONA DE COBERTURA CRAMARO (OPCIONAL)

POS.	CÓDIGO	DENOMINAÇÃO	QUANTIDADE											
			17.000			20.000			25.000					
			INOX	CARBONO	INOX	CARBONO	INOX	CARBONO	INOX	CARBONO	INOX	CARBONO		
21112200	21112600	21112900	21113100	21113200	21113400									
1	20915101	VEDAÇÃO	4	4	4	4	4	4	4	4	4	4	4	
2	20915102	FIXADOR	1	1	1	1	1	1	1	1	1	1	1	
3	20915103	ENGATE	4	4	4	4	4	4	4	4	4	4	4	
4	20915105	APOIO	1	1	1	1	1	1	1	1	1	1	1	
5	20915107	FIXADOR	2	2	2	2	2	2	2	2	2	2	2	
6	20915108	PROLONGADOR	1	1	1	1	1	1	1	1	1	1	1	
7	20915109	PROLONGADOR	1	1	1	1	1	1	1	1	1	1	1	
8	20915302	MANGUEIRA MANIVELA	1	1	1	1	1	1	1	1	1	1	1	
8	20915302A	ESPIA	2	2	2	2	2	2	2	2	2	2	2	
9	20915500	LONA DE COBERTURA CRAMARO	1	1	1	1	1	1	1	1	1	1	1	
10	20915600	CATRACA	3	3	3	3	3	3	3	3	3	3	3	
11	20915700	MANIVELA	1	1	1	1	1	1	1	1	1	1	1	
12	20915800	FIXADOR	3	3	4	4	4	4	4	4	4	4	4	
13	21105001	FIXADOR DIREITO	2	---	2	---	2	---	2	---	2	---	2	
13	21105701	FIXADOR DIREITO	---	2	---	2	---	2	---	2	---	2	2	
14	21105002	FIXADOR ESQUERDO	2	---	2	---	2	---	2	---	2	---	2	
14	21105702	FIXADOR ESQUERDO	---	2	---	2	---	2	---	2	---	2	2	
15	21105004	EXTENSÃO	1	1	1	1	1	1	1	1	1	1	1	
16	21112300	FECHAMENTO INOX	2	---	2	---	2	---	2	---	2	---	2	
16	21112700	FECHAMENTO CARBONO	---	2	---	2	---	2	---	2	---	2	2	
17	21112501	PROLONGADOR	2	2	2	2	2	2	2	2	2	2	2	
18	21310806	ARCO	5	5	5	5	5	5	5	5	5	5	5	
19	60097254	PARAF. CAB. ABAULADA SEXT.INT.M8X1.25X20 CLASSE 12.9 ZB	2	2	2	2	2	2	2	2	2	2	2	
20	60117410	PARAF. CAB. SEXT. M10X1.5X25 DIN 933	4	4	4	4	4	4	4	4	4	4	4	
21	60117610	PARAF. CAB. SEXT. M12X1.75X25 DIN 933	1	1	1	1	1	1	1	1	1	1	1	
22	60127406	PARAF. CAB. SEXT. M10X1.5X20 DIN 933 INOX	10	10	10	10	10	10	10	10	10	10	10	
23	60417455	PARAF. FRANCES M10X1.5X20 DIN 603/13 INOX	8	8	8	8	8	8	8	8	8	8	8	
24	60437454	PARAF. FRANCES M10X1.5X20 DIN 603/13 5.8 ZB	2	2	2	2	2	2	2	2	2	2	2	

72 - KIT LONA DE COBERTURA CRAMARO (OPCIONAL)

